

# Molded Parts Customer Drawing

IF THIS DOCUMENT IS PRINTED IT BECOMES UNCONTROLLED.  
CHECK FOR THE LATEST REVISION.

Part Number : 234A011thru071

ECO No.: ECO-11-005139

## NOTES

1. All dimensions are in  $\frac{\text{inches}}{[\text{millimeters}]}$  ;  $\frac{\text{lbs}}{[\text{gms}]}$
2. Dimensions appearing in table are as follows:
  - a - As Supplied
  - b - After Unrestricted Recovery
3. Coating is optional. As supplied dimensions appearing in table are for uncoated parts. When coating is added, entry diameters will be reduced by .06 max.
4. Molding ports are optional. When -00 modification number is specified molding ports will be located as shown.
5. Weight shown in table of dimensions is based on polyolefin part.
- \*\*6. /180 coating is only available on 234A011, 234A021 and 234A032. Contact factory for additional sizes.

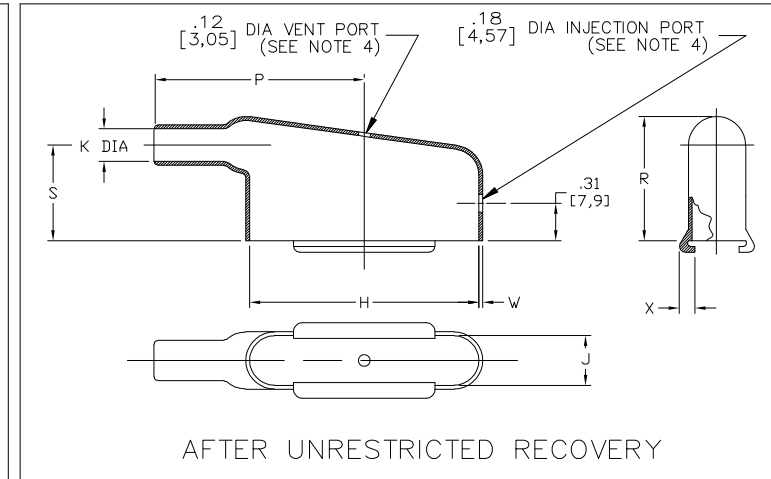


TABLE OF DIMENSIONS

PART NUMBER	H		J		K		P	R	S	W	X	Weight Nom b	This Boot Fits Cannon-Cinch
	±5% a	±5% b	±5% a	±5% b	Min a	Max b							
** 234A011	$\frac{.80}{[20,3]}$	$\frac{.80}{[20,3]}$	$\frac{.42}{[10,7]}$	$\frac{.42}{[10,7]}$	$\frac{.31}{[7,9]}$	$\frac{.16}{[4,1]}$	$\frac{1.02}{[25,9]}$	$\frac{.85}{[21,6]}$	$\frac{.60}{[15,2]}$	$\frac{.04}{[1,02]}$	$\frac{.12}{[3,05]}$	$\frac{.0048}{[2,18]}$	DE-9
** 234A021	$\frac{1.11}{[28,2]}$	$\frac{1.11}{[28,2]}$	$\frac{.42}{[10,7]}$	$\frac{.42}{[10,7]}$	$\frac{.40}{[10,2]}$	$\frac{.21}{[5,3]}$	$\frac{1.21}{[30,7]}$	$\frac{.97}{[24,6]}$	$\frac{.73}{[18,5]}$	$\frac{.04}{[1,02]}$	$\frac{.12}{[3,05]}$	$\frac{.0059}{[2,68]}$	DA-15
** 234A032	$\frac{1.66}{[42,2]}$	$\frac{1.66}{[42,2]}$	$\frac{.42}{[10,7]}$	$\frac{.42}{[10,7]}$	$\frac{.55}{[14,0]}$	$\frac{.29}{[7,4]}$	$\frac{1.69}{[42,9]}$	$\frac{1.10}{[27,9]}$	$\frac{.87}{[22,1]}$	$\frac{.04}{[1,02]}$	$\frac{.12}{[3,05]}$	$\frac{.0102}{[4,63]}$	DB-25
234A042	$\frac{2.31}{[58,7]}$	$\frac{2.31}{[58,7]}$	$\frac{.42}{[10,7]}$	$\frac{.42}{[10,7]}$	$\frac{.68}{[17,3]}$	$\frac{.34}{[8,6]}$	$\frac{2.10}{[53,3]}$	$\frac{1.20}{[30,5]}$	$\frac{1.00}{[25,4]}$	$\frac{.04}{[1,02]}$	$\frac{.12}{[3,05]}$	$\frac{.0132}{[5,99]}$	DC-37
234A052	$\frac{2.28}{[57,9]}$	$\frac{2.28}{[57,9]}$	$\frac{.54}{[13,7]}$	$\frac{.54}{[13,7]}$	$\frac{.75}{[19,1]}$	$\frac{.42}{[10,7]}$	$\frac{2.20}{[55,9]}$	$\frac{1.27}{[32,3]}$	$\frac{1.00}{[25,4]}$	$\frac{.04}{[1,02]}$	$\frac{.12}{[3,05]}$	$\frac{.0152}{[6,90]}$	DD-50
234A061	$\frac{.80}{[20,3]}$	$\frac{.80}{[20,3]}$	$\frac{.42}{[10,7]}$	$\frac{.42}{[10,7]}$	$\frac{.31}{[7,9]}$	$\frac{.15}{[3,8]}$	$\frac{1.02}{[25,9]}$	$\frac{.73}{[18,5]}$	$\frac{.48}{[12,2]}$	$\frac{.04}{[1,02]}$	$\frac{.12}{[3,05]}$	$\frac{.0045}{[2,04]}$	DE-9
234A071	$\frac{1.11}{[28,2]}$	$\frac{1.11}{[28,2]}$	$\frac{.42}{[10,7]}$	$\frac{.42}{[10,7]}$	$\frac{.40}{[10,2]}$	$\frac{.20}{[5,1]}$	$\frac{1.21}{[30,7]}$	$\frac{.78}{[19,8]}$	$\frac{.53}{[13,5]}$	$\frac{.04}{[1,02]}$	$\frac{.12}{[3,05]}$	$\frac{.0056}{[2,54]}$	DA-15



Raychem Molded Parts  
300 CONSTITUTION DRIVE  
MENLO PARK, CALIFORNIA 94025

Revision : R1  
Date : 20APR11  
Page 1 of 2

Description : Boot, Rectangular  
Subminiature, 90 DEGREE  
End Entry

# Molded Parts Customer Drawing

Part Number : 234A011thru071

ECO No. : ECO-11-005139

COMPATABILITY CHART					
MATERIAL DASH NO.	MATERIAL DESCRIPTION	RT SPEC	COATING SLASH NO.	COATING S NO.	COATING DESCRIPTION
-3	Polyolefin, Semi-rigid	RT-301	/42;/86,**/180,/184	S-1017;S-1048	Adhesive
-4	Polyolefin, Flexible	RT-1304	/42;/86,**/180,/184	S-1017;S-1048	Adhesive
-8	Polyolefin, Space	RT-1308	N/A		
-12	*VITON, Flexible	RT-1312	N/A		
-25	Elastomer, Fluid Resistant	RT-1325	/86;/225	S-1048;S-1206	Adhesive
-100	Polyolefin, Semi-flexible ZEROHAL™	RT-1323	/86 : **/180;/184	S-1048;S-1030	Adhesive

\*VITON is a Registered Trademark of Dupont

## ORDERING INFORMATION



THIS DRAWING IS SUBJECT TO CHANGE WITHOUT NOTICE; CONSULT YOUR  
NEAREST FIELD REPRESENTATIVE FOR CURRENT REVISION



Raychem Molded Parts  
300 CONSTITUTION DRIVE  
MENLO PARK, CALIFORNIA 94025

Revision : R1

Date : 20APR11

Page 2 of 2

# Mouser Electronics

Authorized Distributor

Click to View Pricing, Inventory, Delivery & Lifecycle Information:

[TE Connectivity:](#)

[234A011-3-0](#)