

I/O module - AXL F DO32/1 1F - 2688051

Please be informed that the data shown in this PDF Document is generated from our Online Catalog. Please find the complete data in the user's documentation. Our General Terms of Use for Downloads are valid (<http://phoenixcontact.com/download>)



Axioline F, Digital output, Digital outputs: 32, 24 V DC, 500 mA, 1-wire, Transmission speed in the local bus 100 MBit/s, Degree of protection IP20, including bus base module and Axioline F connectors

Product Description

The module is designed for use within an Axioline#F station. It is used to output digital signals. The outputs are protected against short circuit and overload.

Product Features

- 32 digital outputs
- 24 V DC, 500 mA
- Connection of actuators in single-wire technology
- Minimum update time of < 100 μ s
- Device rating plate stored
- Diagnostic and status indicators



Key Commercial Data

Packing unit	1 pc
Weight per Piece (excluding packing)	240.0 g
Custom tariff number	85389091
Country of origin	Germany

Technical data

Dimensions

Width	53.6 mm
Height	126.1 mm
Depth	54 mm
Note on dimensions	The depth is valid when a TH 35-7.5 DIN rail is used (according to EN 60715).

I/O module - AXL F DO32/1 1F - 2688051

Technical data

Ambient conditions

Ambient temperature (operation)	-25 °C ... 60 °C
Ambient temperature (storage/transport)	-40 °C ... 85 °C
Permissible humidity (operation)	5 % ... 95 % (non-condensing)
Permissible humidity (storage/transport)	5 % ... 95 % (non-condensing)
Air pressure (operation)	70 kPa ... 106 kPa (up to 3000 m above sea level)
Air pressure (storage/transport)	70 kPa ... 106 kPa (up to 3000 m above sea level)
Degree of protection	IP20

Connection data

Designation	Axiline F connector
Connection method	Push-in connection
Note on connection method	Please observe the information provided on conductor cross sections in the "Axiline F: system and installation" user manual.
Conductor cross section solid min.	0.2 mm ²
Conductor cross section solid max.	1.5 mm ²
Conductor cross section flexible min.	0.2 mm ²
Conductor cross section flexible max.	1.5 mm ²
Conductor cross section AWG min.	24
Conductor cross section AWG max.	16
Stripping length	8 mm

General

Mounting type	DIN rail
Net weight	240 g
Note on weight specifications	with connectors and bus base module
Diagnostics messages	Short-circuit / overload of the digital outputs Yes

Interfaces

Designation	Axiline F local bus
Connection method	Bus base module
Transmission speed	100 MBit/s

Axiline potentials

Communications power U_{Bus}	5 V DC (via bus base module)
Current consumption from U_{Bus}	max. 120 mA
Supply of digital output modules U_O	24 V DC
Current consumption from U_O	max. 8 A (external fuse)

Digital outputs

Output name	Digital outputs
-------------	-----------------

I/O module - AXL F DO32/1 1F - 2688051

Technical data

Digital outputs

Connection method	Push-in connection
	1-wire
Number of outputs	32
Protective circuit	Short-circuit protection, overload protection of the outputs Electronic
Output voltage	24 V
Nominal output voltage	24 V DC
Maximum output current per channel	500 mA
Maximum output current per module	8 A (external fuse)
Nominal load, inductive	max. 12 VA (1.2 H, 48 Ω, with nominal voltage)
Nominal load, lamp	max. 12 W (at nominal voltage)
Nominal load, ohmic	max. 12 W (48 Ω; with nominal voltage)

Standards and Regulations

Conformity with EMC directives	Noise immunity test in accordance with EN 61000-6-2 Electrostatic discharge (ESD) EN 61000-4-2/IEC 61000-4-2 Criterion B, 6 kV contact discharge, 8 kV air discharge
	Noise immunity test in accordance with EN 61000-6-2 Electromagnetic fields EN 61000-4-3/IEC 61000-4-3 Criterion A, Field intensity: 10 V/m
	Noise immunity test in accordance with EN 61000-6-2 Fast transients (burst) EN 61000-4-4/IEC 61000-4-4 Criterion B, 2 kV
	Noise immunity test in accordance with EN 61000-6-2 Transient overvoltage (surge) EN 61000-4-5/IEC 61000-4-5 Criterion B, DC supply lines: ±0.5 kV/±0.5 kV (symmetrical/asymmetrical)
	Noise immunity test in accordance with EN 61000-6-2 Conducted interference EN 61000-4-6/IEC 61000-4-6 Criterion A; Test voltage 10 V
	Noise emission test according to EN 61000-6-3 Radio interference properties EN 55022 Class B
Test section	5 V communications power (logic), 24 V supply (I/O) 500 V AC 50 Hz 1 min.
	5 V supply (logic)/functional earth ground 500 V AC 50 Hz 1 min.
	24 V supply (I/O) / functional earth ground 500 V AC 50 Hz 1 min.
Mechanical tests	Vibration resistance in acc. with EN 60068-2-6/IEC 60068-2-6 5g
	Shock in acc. with EN 60068-2-27/IEC 60068-2-27 30g
	Continuous shock according to EN 60068-2-27/IEC 60068-2-27 10g
Protection class	III, IEC 61140, EN 61140, VDE 0140-1

Classifications

eCl@ss

eCl@ss 4.0	27240404
eCl@ss 4.1	27240404

I/O module - AXL F DO32/1 1F - 2688051

Classifications

eCl@ss

eCl@ss 5.0	27242204
eCl@ss 5.1	27242604
eCl@ss 6.0	27242604
eCl@ss 7.0	27242604
eCl@ss 8.0	27242604
eCl@ss 9.0	27242604

ETIM

ETIM 4.0	EC001601
ETIM 5.0	EC001599

UNSPSC

UNSPSC 6.01	43172015
UNSPSC 7.0901	43201404
UNSPSC 11	39121311
UNSPSC 12.01	39121311
UNSPSC 13.2	39121311

Approvals

Approvals


Approvals

UL Listed / cUL Listed / BSH / RINA / LR / BV / ABS / EAC / cULus Listed

Ex Approvals

Approvals submitted

Approval details

UL Listed 

I/O module - AXL F DO32/1 1F - 2688051

Approvals

cUL Listed

BSH

RINA

LR

BV

ABS

EAC

cULus Listed

Accessories

Accessories

Connector set

Connector set - AXL CNS 4L-O/D/UO1/UO2/E1 - 2700983



Axiline F connector set (for e.g., AXL F DO32/1 1F)

Controller board

I/O module - AXL F DO32/1 1F - 2688051

Accessories

System connection - PLC-V8/FLK14/OUT - 2295554



V8-OUTPUT adapter for eight 6.2 mm PLC interfaces (1 PDT, etc./see "Supplementary Products"). 14-pos. flat-ribbon cable connection for the PLC system cabling, control logic: Plus switching

System connection - PLC-V8L/FLK14/OUT - 2299660



V8L-OUTPUT adapter for eight 14 mm PLC Interfaces (2 PDTs, etc./see "Supplementary Products"). 14-pos. flat-ribbon cable connection for the PLC system cabling, control logic: Plus switching

Device marking

Insert label - EMT (35X46)R - 0801604



Insert label, Roll, white, unlabeled, can be labeled with: THERMOMARK ROLL, THERMOMARK ROLL X1, THERMOMARK X, THERMOMARK S1.1, Mounting type: snapped into marker carrier, Lettering field: 35 x 46 mm

DIN rail connector

Bus connector - AXL F BS F - 2688129



Axiline F bus base module for housing type F

Interface module

I/O module - AXL F DO32/1 1F - 2688051

Accessories

Interface module - VIP-2/SC/FLK20 - 2315049



VARIOFACE module, with screw connection and flat-ribbon cable connector, for mounting on NS 35 rails, with pin strip and short and long locking latches for socket strips, 20-pos.

Interface module - VIP-2/SC/FLK20/LED - 2322074



VARIOFACE module, with screw connection and flat-ribbon cable connector, for mounting on NS 35 rails, with pin strip and short and long locking latches for socket strips, 20-pos., with LED

Interface module - VIP-2/PT/FLK20 - 2903790



VARIOFACE module, with push-in connections and flat-ribbon cable connector, for mounting on NS 35 rails, with pin strip and short and long locking latches for socket strips, 20-pos.

Interface module - VIP-2/PT/FLK20/LED - 2904251



VARIOFACE module, with push-in connection and flat-ribbon cable connector, for mounting on NS 35 rails, with pin strip and short and long locking latches for socket strips, 20-pos., with LED

Interface module - UM 25-FLK20/FRONT/Q - 2959515



VARIOFACE SLIM LINE, with screw connection and flat-ribbon cable connector, for assembly at a right angle on NS 35/7.5, 20 positions

System cable

I/O module - AXL F DO32/1 1F - 2688051

Accessories

Round cable - VIP-CAB-FLK14/AXIO/0,14/0,5M - 2901604



System cable with a 14-pos. molded socket strip (90° outlet) and one open end with 8 wires for connection to Axioline realtime I/O. At the open end, the wires are labeled 1 to 8 and are fitted with ferrules, cable length: 0.5 m.

Round cable - VIP-CAB-FLK14/AXIO/0,14/1,0M - 2901605



System cable with a 14-pos. molded socket strip (90° outlet) and one open end with 8 wires for connection to Axioline realtime I/O. At the open end, the wires are labeled 1 to 8 and are fitted with ferrules, cable length: 1 m.

Round cable - VIP-CAB-FLK14/AXIO/0,14/1,5M - 2901606



System cable with a 14-pos. molded socket strip (90° outlet) and one open end with 8 wires for connection to Axioline realtime I/O. At the open end, the wires are labeled 1 to 8 and are fitted with ferrules, cable length: 1.5 m.

Round cable - VIP-CAB-FLK14/AXIO/0,14/2,0M - 2901607



System cable with a 14-pos. molded socket strip (90° outlet) and one open end with 8 wires for connection to Axioline realtime I/O. At the open end, the wires are labeled 1 to 8 and are fitted with ferrules, cable length: 2 m.

Round cable - VIP-CAB-FLK14/AXIO/0,14/2,5M - 2901608



System cable with a 14-pos. molded socket strip (90° outlet) and one open end with 8 wires for connection to Axioline realtime I/O. At the open end, the wires are labeled 1 to 8 and are fitted with ferrules, cable length: 2.5 m.

I/O module - AXL F DO32/1 1F - 2688051

Accessories

Round cable - VIP-CAB-FLK14/AXIO/0,14/3,0M - 2901609



System cable with a 14-pos. molded socket strip (90° outlet) and one open end with 8 wires for connection to Axioline realtime I/O. At the open end, the wires are labeled 1 to 8 and are fitted with ferrules, cable length: 3 m.

Round cable - VIP-CAB-FLK14/AXIO/0,14/4,0M - 2901610



System cable with a 14-pos. molded socket strip (90° outlet) and one open end with 8 wires for connection to Axioline realtime I/O. At the open end, the wires are labeled 1 to 8 and are fitted with ferrules, cable length: 4 m.

Round cable - VIP-CAB-FLK14/AXIO/0,14/6,0M - 2901611



System cable with a 14-pos. molded socket strip (90° outlet) and one open end with 8 wires for connection to Axioline realtime I/O. At the open end, the wires are labeled 1 to 8 and are fitted with ferrules, cable length: 6 m.

Terminal marking

Zack marker strip - ZB 20,3 AXL UNPRINTED - 0829579



Zack marker strip for Axioline F (device labeling), in 2 x 20.3 mm pitch, unprinted, 25-section, for individual labeling with B-STIFT 0.8, X-PEN, or CMS-P1-PLOTTER

Zack Marker strip, flat - ZBF 10/5,8 AXL UNPRINTED - 0829580

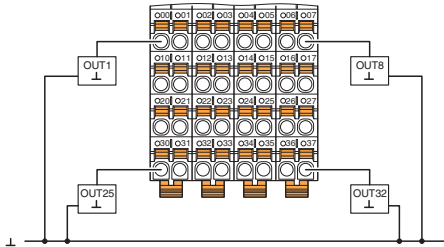


Zack marker strip, flat, in 10 mm pitch, unprinted, 10-section, for individual labeling with M-PEN 0,8, X-PEN, or CMS-P1-PLOTTER

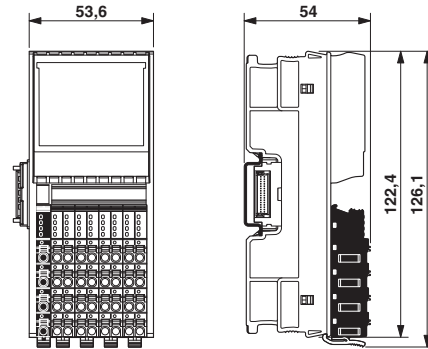
I/O module - AXL F DO32/1 1F - 2688051

Drawings

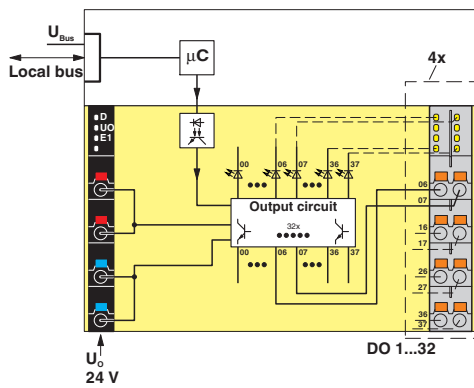
Connection diagram



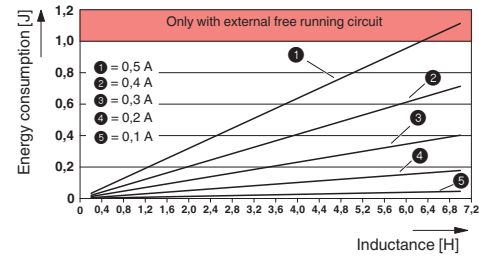
Dimensional drawing



Block diagram



Diagram



Maximum outputs power consumption when inductive loads are switched off

Internal wiring of the terminal points

Mouser Electronics

Authorized Distributor

Click to View Pricing, Inventory, Delivery & Lifecycle Information:

[Phoenix Contact:](#)

[2688051](#)