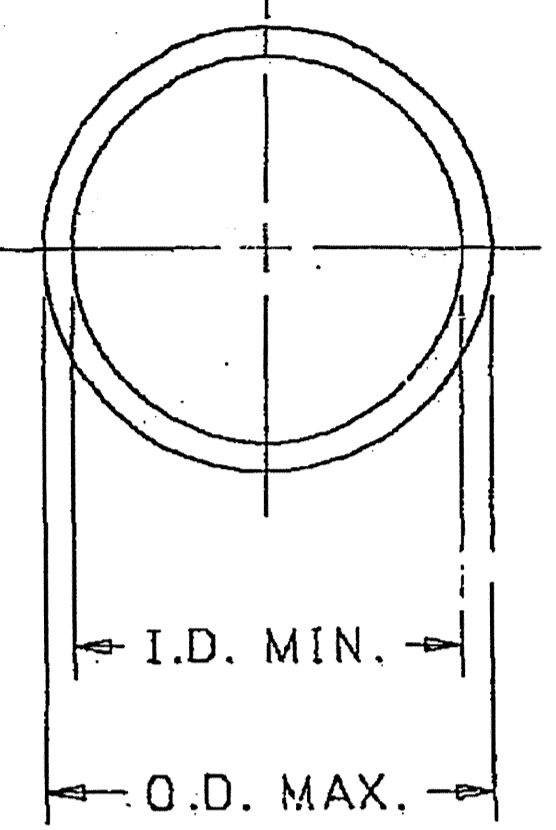
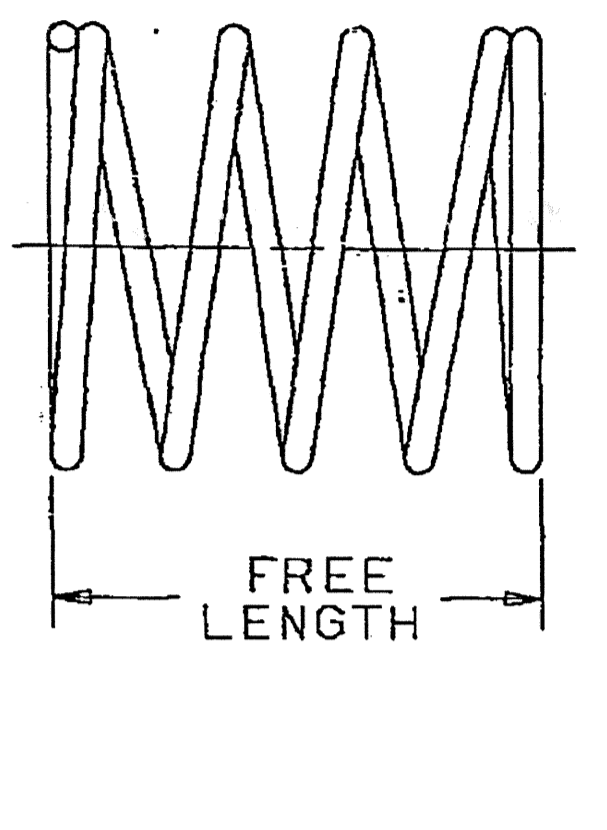
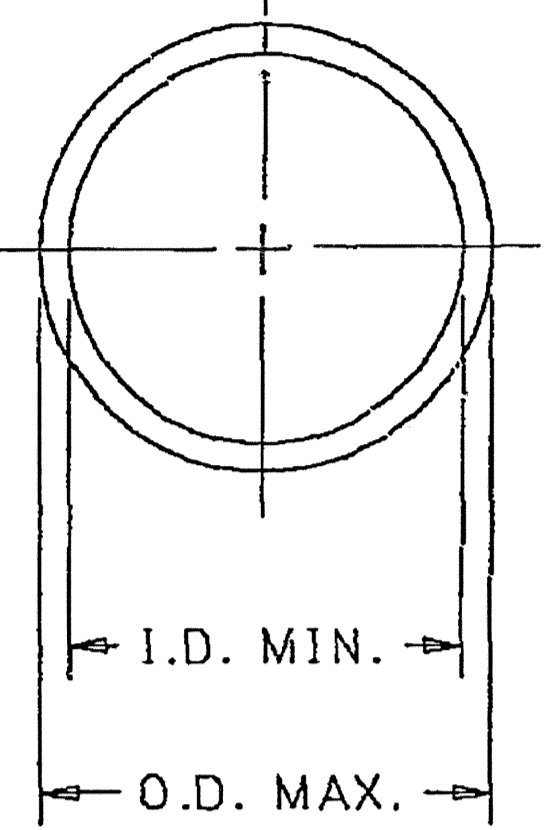
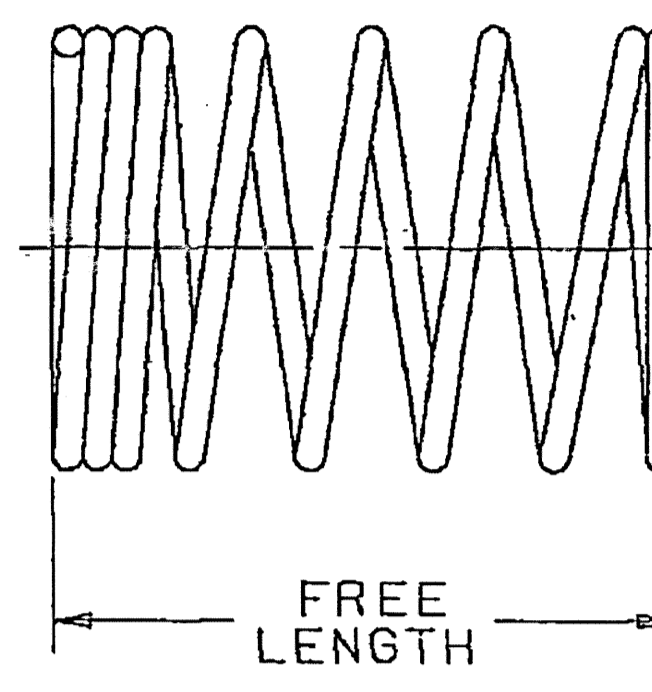


628 8868

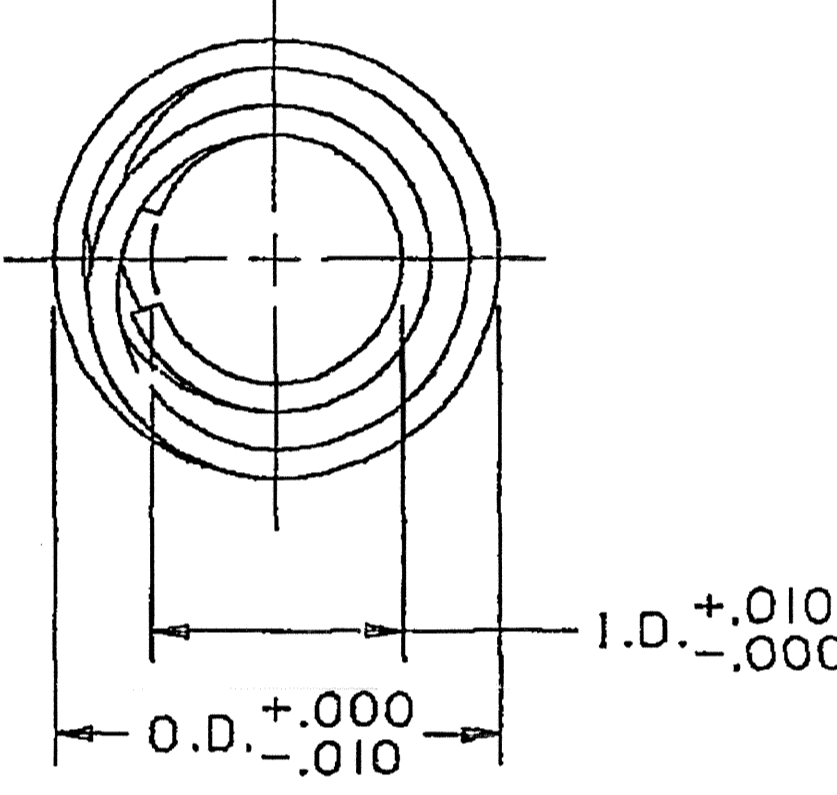
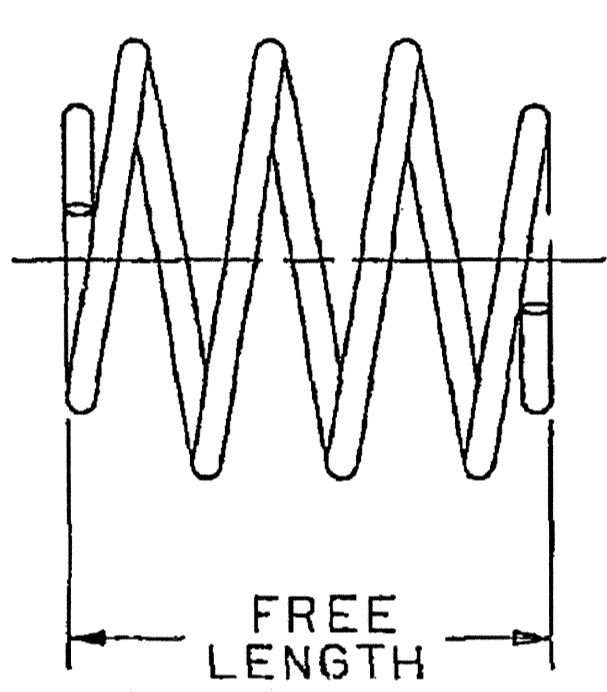
628 8868



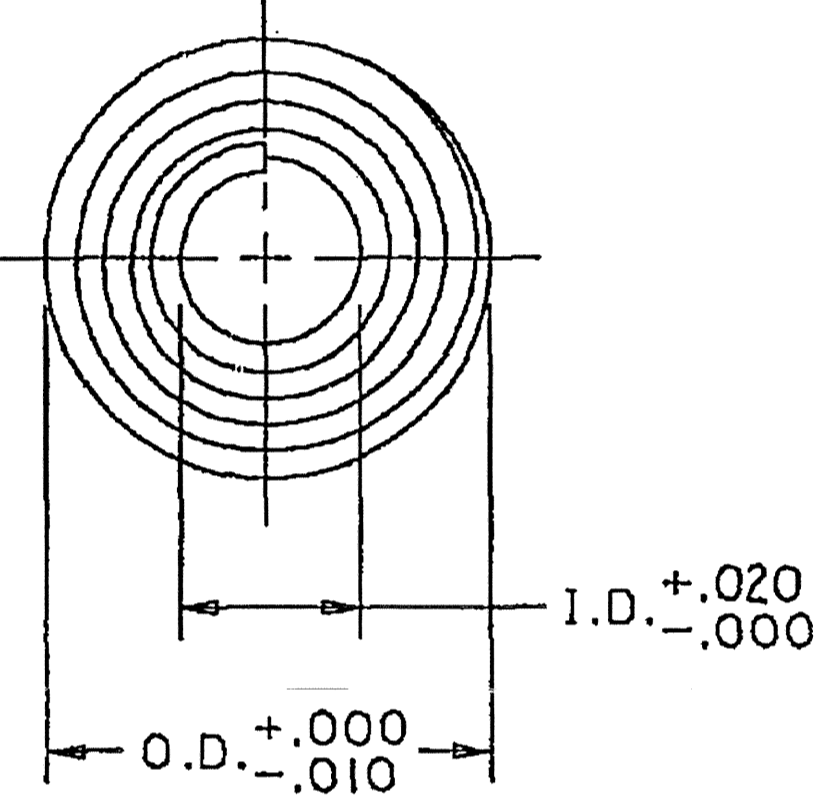
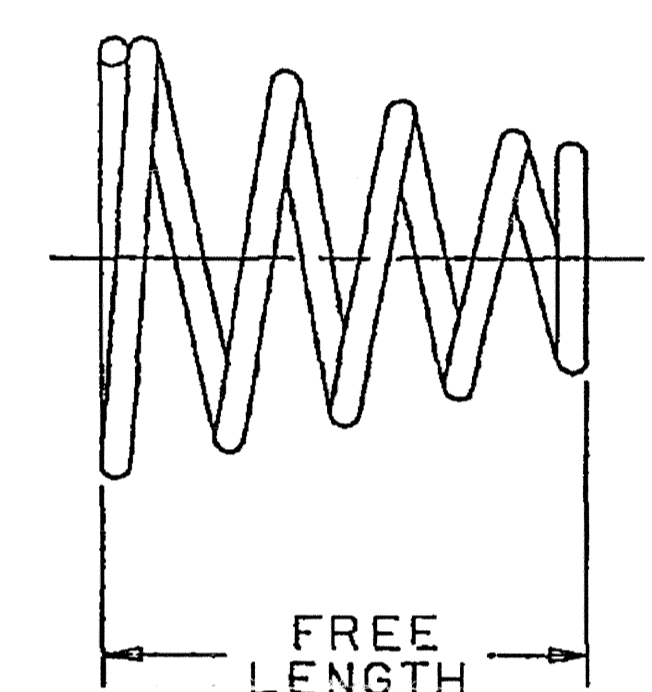
TYPE 1



TYPE 2



TYPE 3



TYPE 4

NOTES

- 1. DIRECTION OF WINDING OPTIONAL.
2. PROCESS OPERATIONS TO BE PERFORMED IN SEQUENCE SHOWN IN CHART.
3. OBSOLETE PART(S) CONTAIN HEXAVALENT CHROME COATING. DO NOT USE THIS PART ON NEW APPLICATIONS. HEXAVALENT CHROME IS A BANNED SUBSTANCE. IF THIS PART IS REQUIRED FOR CURRENT OR FUTURE BUSINESS OR FOR SERVICE REQUIREMENTS, CONTACT THE PRODUCT LINE ENGINEER OR MATERIALS ENGINEERING TO GET A NEW PART THAT IS FREE FROM HEXAVALENT CHROME. EXISTING INVENTORY OF THIS PART MAY BE USED UNTIL JULY 1, 2007 FOR SERVICE REQUIREMENTS.
4. BAKE 30 MINS. AT 450°F TO 500°F TO RELIEVE STRESS.
5. ZINC PLATE AND GOLD CHROMATE TREAT PER POS 1065B-15 (GM-4342-M CODE 10D). (24 HRS. MIN. SALT SPRAY RESISTANCE.)
6. CADMIUM PLATE PER POS 1041-50. (200 HRS. MIN. SALT SPRAY RESISTANCE.)
7. ZINC PLATE AND GOLD CHROMATE TREAT PER POS 1005T-15 (GM-4341-M CODE 10D). (24 HRS. MIN. SALT SPRAY RESISTANCE.)
8. CADMIUM PLATE AND GOLD CHROMATE TREAT PER POS 1005A-15 (GM-4341-M CODE 10K). (24 HRS. MIN. SALT SPRAY RESISTANCE.)
9. PHOSPHATE TREAT AND OIL COAT PER GM-4276-M. (24 HRS. MIN. SALT SPRAY RESISTANCE.)
10. CADMIUM PLATE AND GOLD CHROMATE TREAT PER POS 1005T-55 (GM-4341-M CODE 50D). (200 HRS. MIN. SALT SPRAY RESISTANCE.)
11. BAKE PER POS 1253 TO RELIEVE HYDROGEN EMBRITTLEMENT (4 HRS. AT 375°F TO 450°F) - IF PRESENT.
12. ZINC PLATE AND GOLD CHROMATE TREATMENT PER POS 1065B-15 (GM-4345-M CODE 3D72/48).
13. PLATE PER DX551245-P ZINC WITH CLEAR TRIVALENT CHROME & TOPCOAT.

PROCESS NOTES

PACKARD ELECTRIC DIVISION
GENERAL MOTORS CORPORATION
WARREN, OHIO

Table with columns for Part No., Rev., Status, Code, Dimensions, Material, and Process Notes. Includes various part numbers like 15496013, 15496012, etc.

Summary table with columns: PART NO., REV., STATUS, CODE, APPLICABLE PROCESS NOTES, TYPE, WIRE DIA., GM SPEC, P.E.D. M-SPEC, MAX. O.D., MIN. I.D., FREE LENGTH, TOTAL ACTIVE, MEAN DIA., SOLID, WORKING, NOM. MAX. MIN. O.D.

Revision Record table with columns: DATE, SYM, REVISION RECORD, AUTH, DR, CK. Includes revision 03AP87: ALL PARTS - REDRAWN FROM MANUAL... and 18N00412: 15496010-15496013 -RELEASED...

OBSOLETE C/N 253207 PART ADVANCES ONE NON-PHYSICAL REV

01843293, 05286402, 05291295, 05295945

As of 06JL90 this drawing is no longer being maintained on computer vision.

ENGLISH DIMENSIONS ARE IN INCHES UNLESS OTHERWISE SPECIFIED. THIRD ANGLE PROJECTION. CODE NO. SEE CHART. TOLERANCE UNLESS OTHERWISE SPECIFIED...

Mouser Electronics

Authorized Distributor

Click to View Pricing, Inventory, Delivery & Lifecycle Information:

[Aptiv:](#)

[15496011](#) [15496013](#) [15496011-B](#)