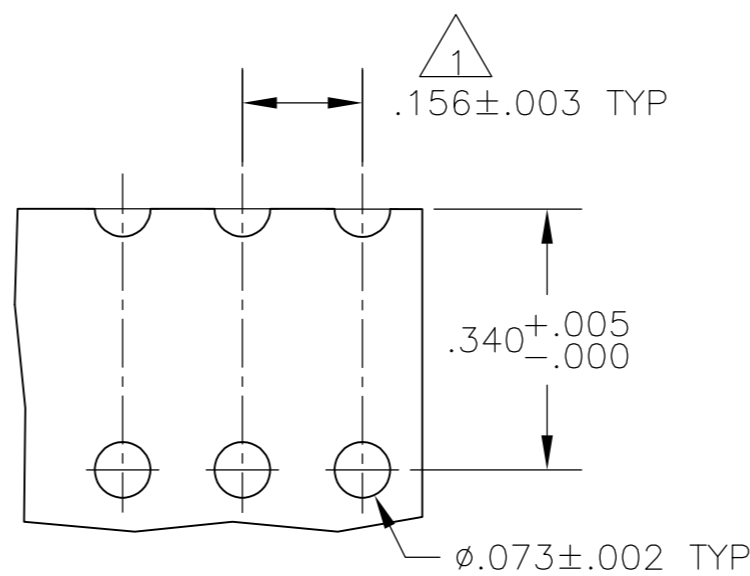
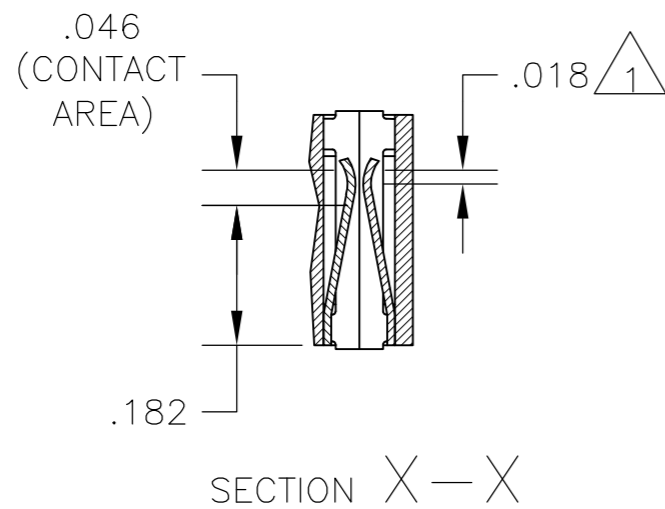


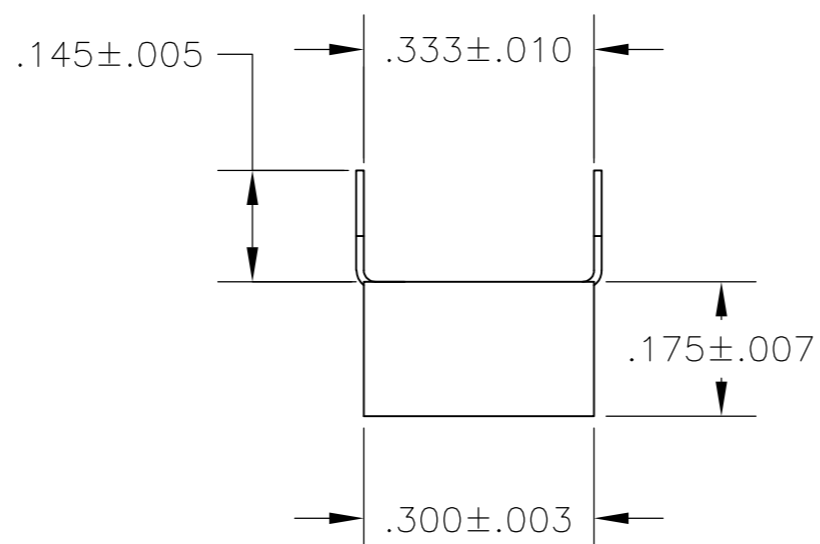
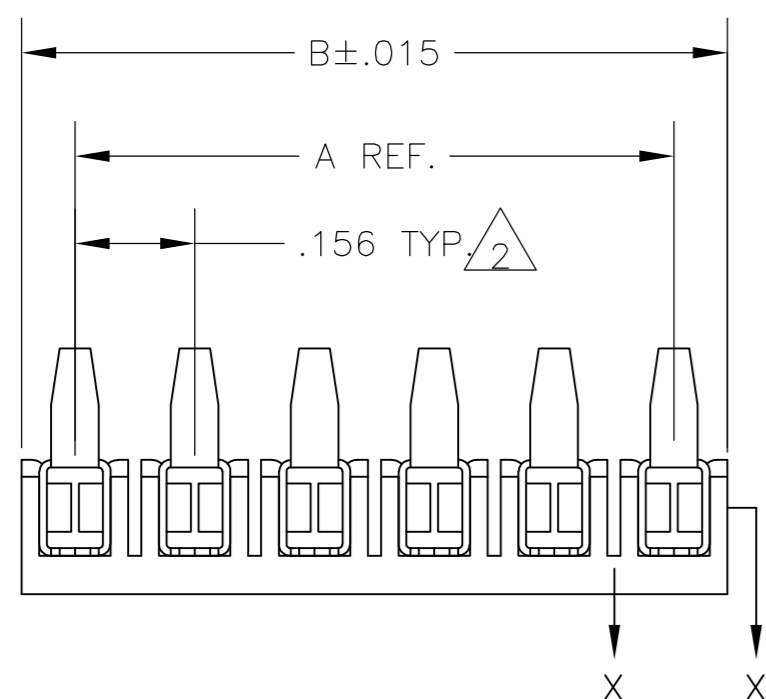
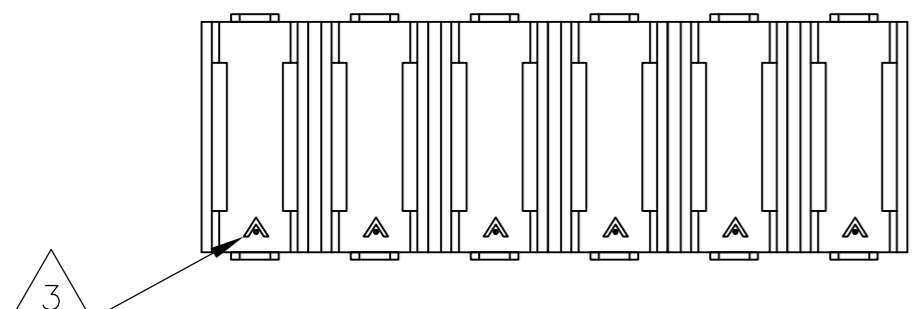
THIS DRAWING IS UNPUBLISHED. RELEASED FOR PUBLICATION  
 © COPYRIGHT BY TYCO ELECTRONICS CORPORATION. ALL RIGHTS RESERVED.

LOC	DIST	REVISIONS					
AD	00	P	LTR	DESCRIPTION	DATE	DWN	APVD
		L1		REVISED ECO-09-024927	06NOV09	KK	AEG



RECOMMENDED BOARD MOUNTING  
 (RECOMMENDED BOARD THICKNESS: .055-.103)

- △1 POINT OF MEASUREMENT FOR PLATING THICKNESS (INSIDE OF BEAMS).
- △2 TOLERANCE NON-CUMULATIVE.
- △3 THE MATING END OF THE CONTACT IS IDENTIFIED BY THE LETTER "A" STAMPED ON THE RECEPTACLE BOX.
- △4 OBSOLETE PARTS: OBSOLETE CIS STREAMLINING PER D.RENAUD/D.SINISI



SIZE	CAGE CODE	DRAWING NO	RESTRICTED TO
3.120	2.964	20	<del>2-87987-0</del>
2.964	2.808	19	<del>1-87987-9</del>
2.808	2.652	18	<del>1-87987-8</del>
2.652	2.496	17	<del>1-87987-7</del>
2.496	2.340	16	<del>1-87987-6</del>
2.340	2.184	15	<del>1-87987-5</del>
2.184	2.028	14	<del>1-87987-4</del>
2.028	1.872	13	<del>1-87987-3</del>
1.872	1.716	12	<del>1-87987-2</del>
1.716	1.560	11	<del>1-87987-1</del>
1.560	1.404	10	1-87987-0
1.404	1.248	9	87987-9
1.248	1.092	8	87987-8
1.092	.936	7	87987-7
.936	.780	6	87987-6
.780	.624	5	87987-5
<del>0.624</del>	<del>.468</del>	4	<del>87987-4</del>
<del>.468</del>	<del>.312</del>	3	<del>87987-3</del>
<del>.312</del>	<del>.156</del>	2	<del>87987-2</del>
B	A	NO OF POSN	ASSEMBLY PART NUMBER

THIS DRAWING IS A CONTROLLED DOCUMENT.		DWN L A MAYER 17MAR86	Tyco Electronics Corporation Harrisburg, Pa 17105-3608	
DIMENSIONS: INCHES		CHK P deJONG 17MAR86	NAME ASSY, MOD I, BOARD MOUNT RECP, .156 CL, STD PRESSURE, TYPE C, FOR ROUND HOLE MOUNTING	
TOLERANCES UNLESS OTHERWISE SPECIFIED:		APVD P deJONG 17MAR86	PRODUCT SPEC 108-25,016	
0 PLC ± -		APPLICATION SPEC 114-25,004		
1 PLC ± -		WEIGHT -		
2 PLC ± -		SIZE A2 CAGE CODE 00779 C=87987		
3 PLC ± .005		DRAWING NO 87987		
4 PLC ± -		RESTRICTED TO -		
ANGLES ± -		SCALE 4:1 SHEET 1 OF 1 REV L1		
FINISH CONTACTS: .00079 MIN TIN		CUSTOMER DRAWING		
MATERIAL HOUSING-FLAME RETARDANT THERMOPLASTIC, COLOR-BLACK CONTACTS-PHOS BRONZE				

# Mouser Electronics

Authorized Distributor

Click to View Pricing, Inventory, Delivery & Lifecycle Information:

[TE Connectivity:](#)

[87987-9](#)