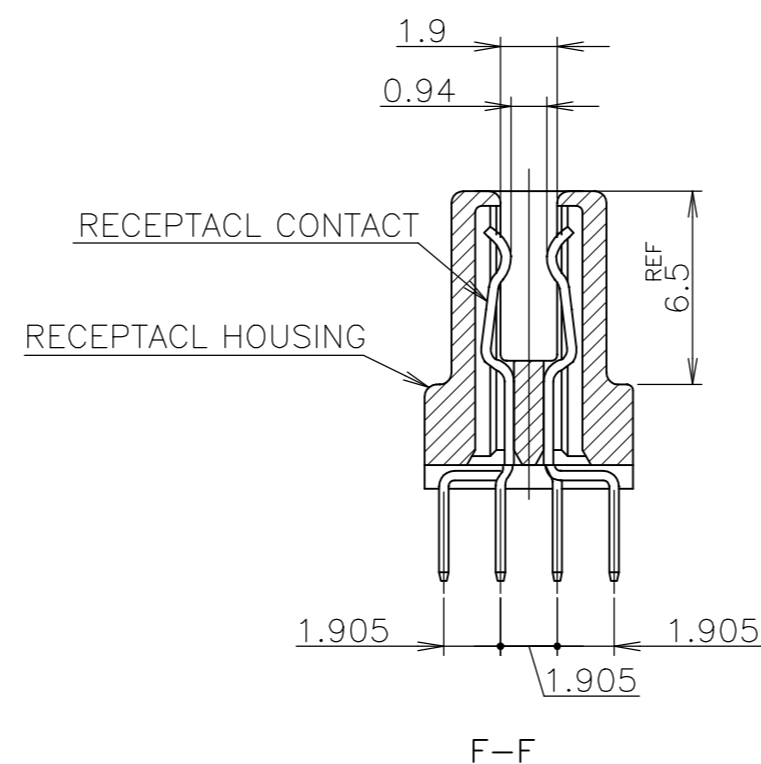
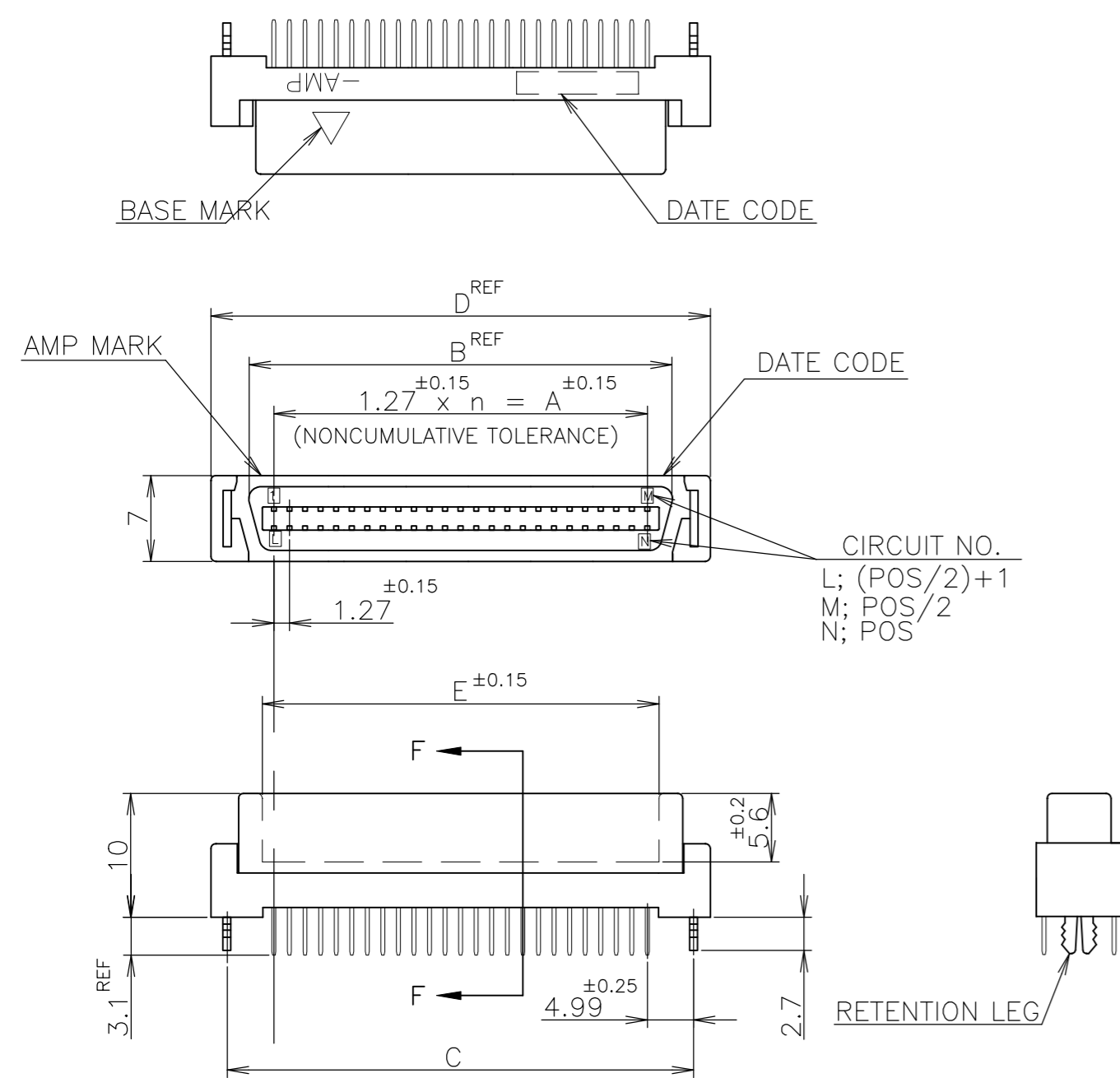
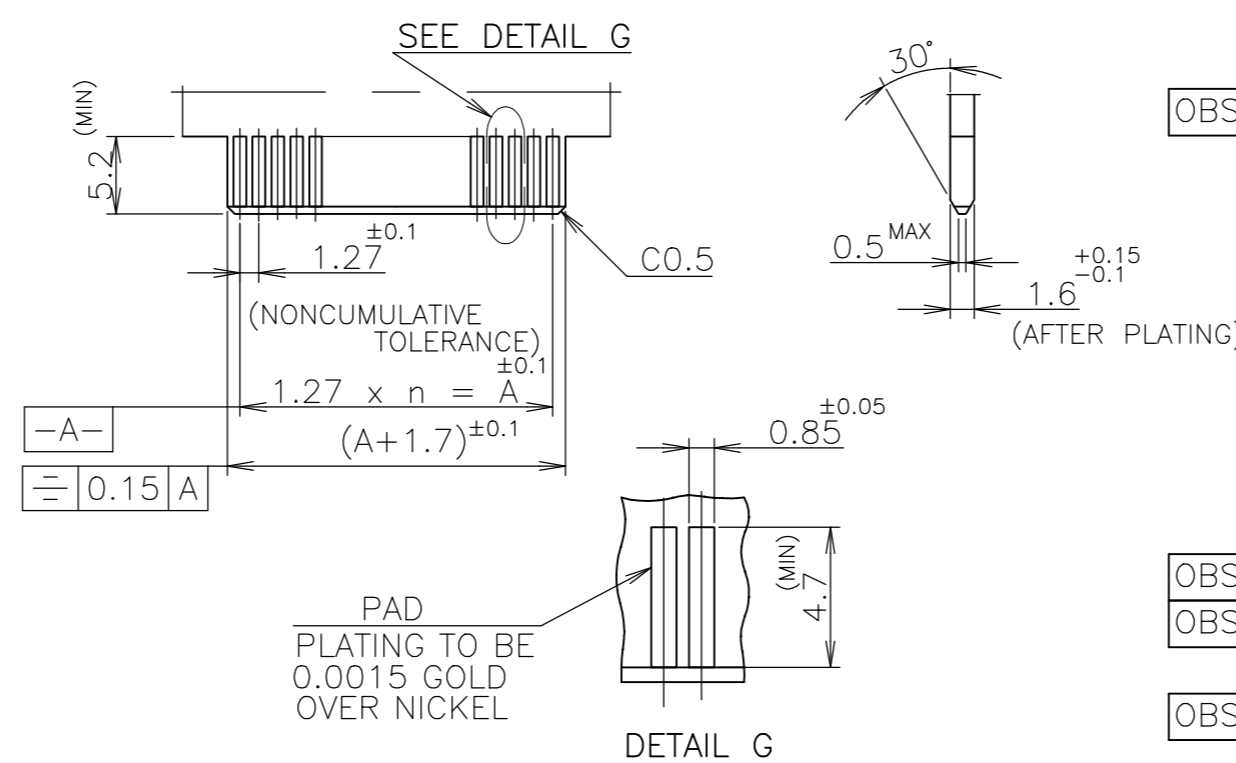
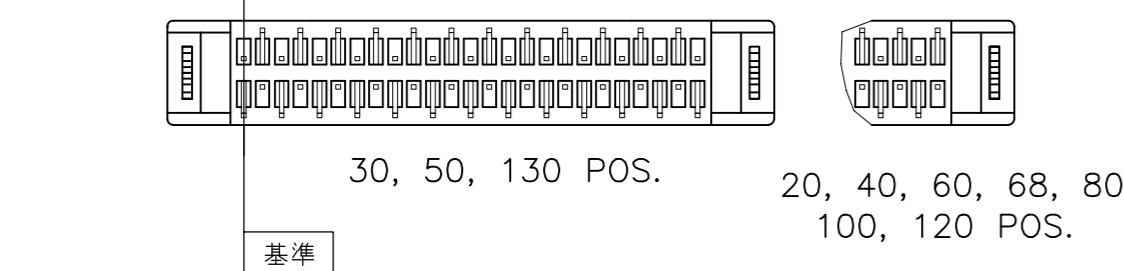


REVISIONS					
P	LTR	DESCRIPTION	DATE	DWN	APVD
C		REVISED PER ECO-17-008763	22JAN2018	RG	SH



- 1 NUMBER "n" IS COUNTED FROM DATUM (CIRCUIT NO.1 IS "AMP" MARK SIDE.)
- 2 MATERIAL: HOUSING, 66 NYLON (GF) UL 94V-0, BLACK. CONTACT, PHOSPHOR BRONZE. RETENTION LEG; BRASS.
- 3 FINISH: CONTACT; Au AT CONTACT AREA (SEE TABLE), TIN AT TINE, OVER Ni.
- 4 P.C. BOARD THK MUST BE 1.6 ± 0.15 FOR CARD EDGE CONNECTOR



RECOMMENDED P.C. BOARD DIMENSIONS. Δ

OBsolete	6-	-2	130	64	81.28	86.82	91.25	93.90	83.18	
	6-	-1	120	59	74.93	80.47	84.90	87.55	76.83	
OBsolete	6-	-0	100	49	62.23	67.77	72.20	74.85	64.13	
OBsolete	5-	-9	80	39	49.53	55.07	59.50	62.15	51.43	
	5-	-8	68	33	41.91	47.45	51.88	54.53	43.81	
	5-	-7	60	29	36.83	42.37	46.80	49.45	38.73	
	5-	-6	50	24	30.48	36.02	40.45	43.10	32.38	
	5-	-5	40	19	24.13	29.67	34.10	36.75	26.03	
	5-	-3	30	14	17.78	23.32	27.75	30.40	19.68	
	5-	-1	20	9	11.43	16.97	21.40	24.05	13.33	
OBsolete	4-	-2	130	64	81.28	86.82	91.25	93.90	83.18	
	4-	-1	120	59	74.93	80.47	84.90	87.55	76.83	
	4-	-0	100	49	62.23	67.77	72.20	74.85	64.13	
	3-	-9	80	39	49.53	55.07	59.50	62.15	51.43	
	3-	-8	68	33	41.91	47.45	51.88	54.53	43.81	
	3-	-7	60	29	36.83	42.37	46.80	49.45	38.73	
	3-	-6	50	24	30.48	36.02	40.45	43.10	32.38	
	3-	-5	40	19	24.13	29.67	34.10	36.75	26.03	
	3-	-3	30	14	17.78	23.32	27.75	30.40	19.68	
	3-	-1	20	9	11.43	16.97	21.40	24.05	13.33	
OBsolete	1-	-2	130	64	81.28	86.82	91.25	93.90	83.18	
OBsolete	1-	-1	120	59	74.93	80.47	84.90	87.55	76.83	
OBsolete	1-	-0	100	49	62.23	67.77	72.20	74.85	64.13	
		-9	80	39	49.53	55.07	59.50	62.15	51.43	
		-8	68	33	41.91	47.45	51.88	54.53	43.81	
		-7	60	29	36.83	42.37	46.80	49.45	38.73	
		-6	50	24	30.48	36.02	40.45	43.10	32.38	
		-5	40	19	24.13	29.67	34.10	36.75	26.03	
		-3	30	14	17.78	23.32	27.75	30.40	19.68	
		-1	20	9	11.43	16.97	21.40	24.05	13.33	
			5175475-1	0.0002	20	9	11.43	16.97	21.40	13.33

THIS DRAWING IS A CONTROLLED DOCUMENT.

DWN: Julyee Zhu (20AUG2004)
 CHK: Steven Yao (20AUG2004)
 APVD: Ikuo Enomoto (20AUG2004)

NAME: AMP CHAMP .050 CONNECTOR(B-T-B) RECEPTACLE CONNECTOR VERTICAL WITH RETENTION LEG

PRODUCT SPEC: 108-60038

APPLICATION SPEC: 108-60038

WEIGHT: 0.000000

CAGE CODE: A200779

DRAWING NO: 5175475

SCALE: NTS

SHEET: 1 OF 1

REV: C

RESTRICTED TO: []

LEAD FREE

GENERAL TOLERANCE
 10 ≥ : ± 0.2
 30 > 10: ± 0.25
 100 ≥ > 30: ± 0.3
 ANGLES: ± 3°

Mouser Electronics

Authorized Distributor

Click to View Pricing, Inventory, Delivery & Lifecycle Information:

[TE Connectivity:](#)

[3-5175475-8](#)