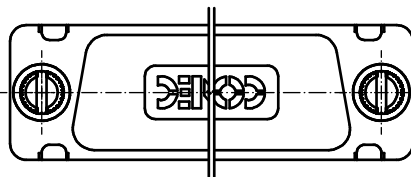
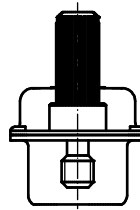
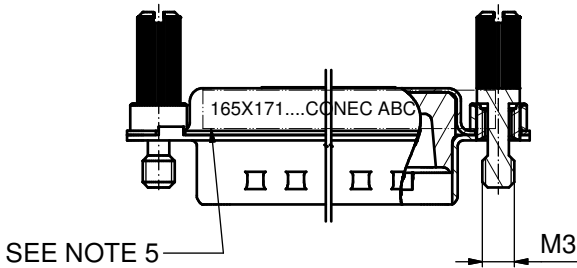
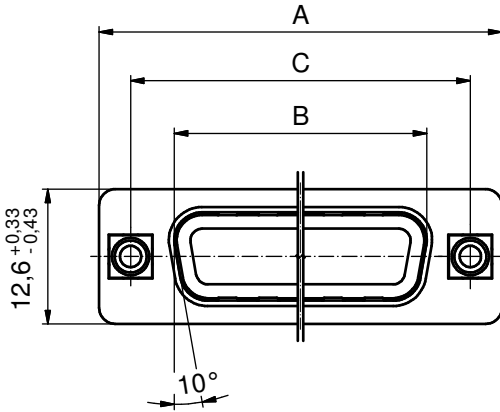
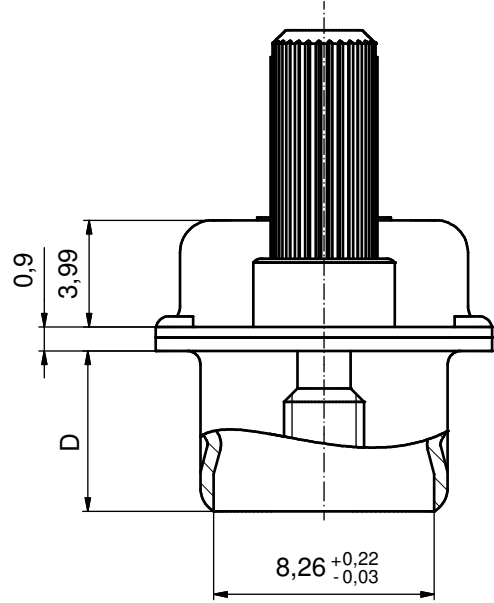


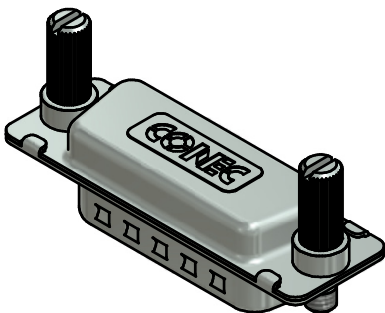
No. of pos.	A _{-0,76}	B _{+0,25}	C	D _{-0,3}	Part-No. Bulk package	Part-No. Single package
9	31,19	16,79	25,00 ^{+0,12} _{-0,13}	6,12	165X17159X	165X17159XE
15	39,52	25,12	33,30 ^{+0,15} _{-0,1}	6,12	165X17169X	165X17169XE
25	53,42	38,84	47,04 \pm 0,13	5,99	165X17179X	165X17179XE
37	69,70	55,30	63,50 \pm 0,13	5,99	165X17189X	165X17189XE
50	67,31	52,68	61,10 ^{+0,14} _{-0,11}	5,99	165X17199X	165X17199XE

(5:1)



NOTES:

- METALSHELLS: COPPER ALLOY; min. 315µm TIN over 40-80µm NICKEL
- INSULATOR: TPE
- THREADED INSERTS: BRASS
- SCREW: STEEL; NICKEL PLATED
- CONNECTOR IS PART MARKED: **PART NO. CONEC ABC**



Directive 2002/95/EC RoHS compliant

THIS DRAWING MAY NOT BE COPIED OR REPRODUCED IN ANY WAY, AND MAY NOT BE PASSED ON TO A THIRD PARTY WITHOUT WRITTEN PERMISSION. OWNERSHIP AND COPYRIGHT OF CONEC GmbH DO NOT ALTER CAD DRAWING BY HAND	tolerance		dim. in mm	scale: 2:1 (5:1)	
				material: SEE NOTES	
	date	name		title:	
	drawn 29.06.11	Henneboel		HOOD 9-50pos.	
	appd. 01.07.11	Fischer		WATER RESISTANT AND SHIELDED; FOR EMI/RFI for socket connector, with jack screws	
norm			dwg no:		
d-old			16K1A2839		
a Original			part no: SEE TABLE		
rev. description	date	name			
				DIN-A3	
				sh: 1	

Mouser Electronics

Authorized Distributor

Click to View Pricing, Inventory, Delivery & Lifecycle Information:

[CONEC:](#)

[165X17179X](#)