

4

3



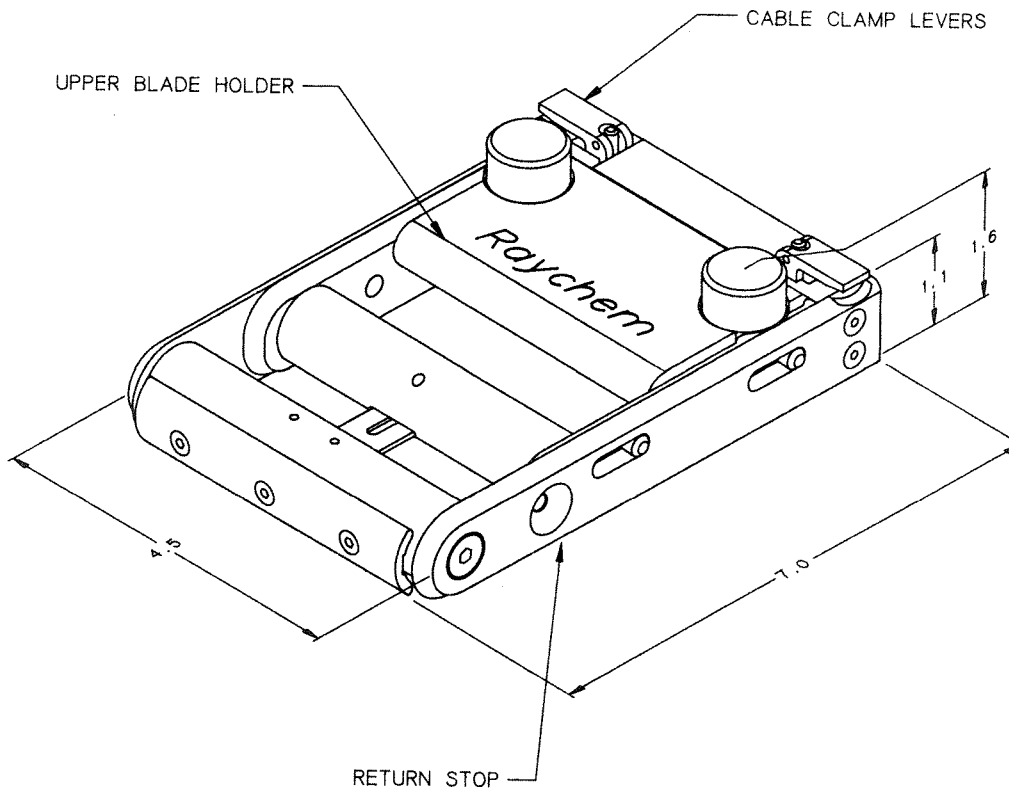
2

1

NOTES:

1. CONSULT RAYCHEM PRODUCT MANAGEMENT FOR OPERATING INSTRUCTIONS.

| REVISIONS |             |         |          |
|-----------|-------------|---------|----------|
| LTR       | DESCRIPTION | DATE    | APPROVED |
| A         | NEW RELEASE | 7-10-84 |          |
|           |             | 8/8/88  |          |



SPECIFICATION CONTROL DRAWING

© Raychem Corporation 1988

|                                                                                                  |                           |          |         |                                             |       |                                                                               |                 |              |
|--------------------------------------------------------------------------------------------------|---------------------------|----------|---------|---------------------------------------------|-------|-------------------------------------------------------------------------------|-----------------|--------------|
| UNLESS OTHERWISE SPECIFIED<br>DIMENSIONS ARE IN INCHES.<br>METRIC DIMENSIONS ARE<br>IN BRACKETS. | DRAWN                     | M MURPHY | 8/88    | Raychem                                     |       | RAYCHEM CORPORATION<br>300 CONSTITUTION DRIVE<br>MENLO PARK, CALIFORNIA 94025 |                 |              |
|                                                                                                  | CHECKED                   |          | 8/8/88  | TITLE                                       |       |                                                                               |                 |              |
|                                                                                                  | APPROVED                  |          | 8/8/88  | FLAT CONDUCTOR CABLE<br>MECHANICAL STRIPPER |       |                                                                               |                 |              |
|                                                                                                  | APPROVED                  |          | 8/14/88 | PCN NO. 298509                              |       | SIZE                                                                          | CODE IDENT. NO. | DWG. NO.     |
| DECIMALS<br>.XXX ± .005 [ mm]<br>.XX ± .01 [ mm]                                                 | CAD NAME                  | 000235   |         | C                                           | 06090 | CE-1407900                                                                    |                 | A            |
| ANGLES<br>.X ±                                                                                   | THIRD ANGLE<br>PROJECTION |          |         | DO NOT SCALE THIS DRAWING                   |       |                                                                               |                 | SHEET 1 OF 1 |
| WEIGHT<br>2.0 LBS lbs [ g]                                                                       |                           |          |         |                                             |       |                                                                               |                 |              |

If this document is printed it becomes uncontrolled.  
Check for the latest revision.

D

C

B

A

# Mouser Electronics

Authorized Distributor

Click to View Pricing, Inventory, Delivery & Lifecycle Information:

[TE Connectivity:](#)

[298509-000](#)