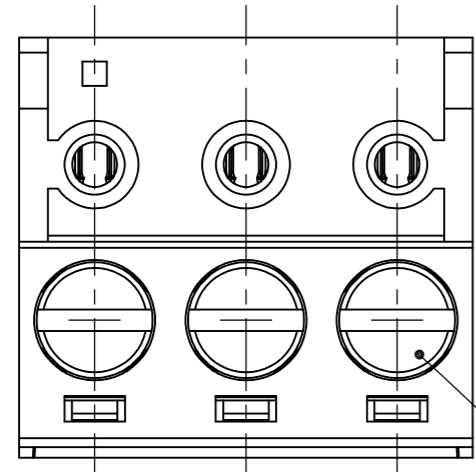


THIS DRAWING IS UNPUBLISHED. RELEASED FOR PUBLICATION
 © COPYRIGHT - By - ALL RIGHTS RESERVED.

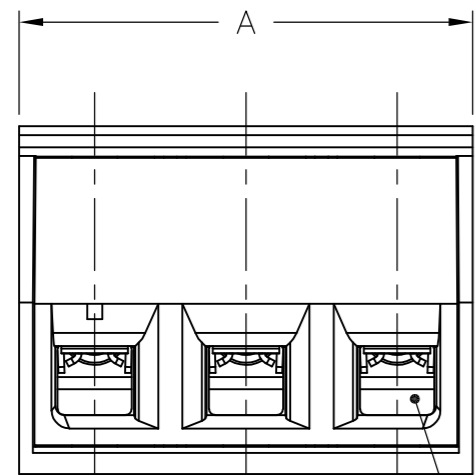
| LOC | DIST | REVISIONS | | | | | |
|-----|------|-----------|-----|---------------------------|---------|-----|------|
| | | P | LTR | DESCRIPTION | DATE | DWN | APVD |
| - | - | H3 | | REVISED PER ECO-11-005787 | 01APR11 | HMR | CR |

- 1 MATERIALS AND FINISH
 HOUSING: PA 6-6, UL 94-V0, COLOR: BLACK.
 CLAMP: BRASS, NICKEL PLATED.
 CONTACT: PHOSPHOR BRONZE, TIN PLATED.
 CLAMPING SCREW: M3, BRASS, NICKEL PLATED.
- 2 WIRE SIZE RANGE: 12-30 AWG
- 3 RECOGNIZED UNDER THE COMPONENT PROGRAM OF UNDERWRITERS LABORATORIES INC. FILE NO. E60677.
- 4 IMQ CERTIFICATE WITH SURVEILLANCE IN CONFORMITY WITH IEC 998-1/998-2-1.

 NOT CUMULATIVE TOLERANCE.
- 6 END TO END STACKABLE W/O LOSS OF CENTERLINE SPACING.
- 7 PART MARKED WITH WHITE PERMANENT MARKING.
- 8 PRELIMINARY PART NUMBER.

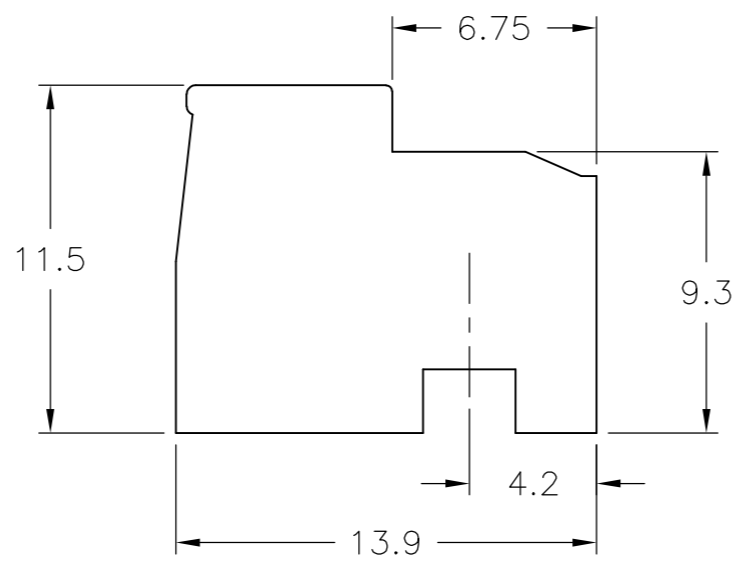


CLAMPING SCREW

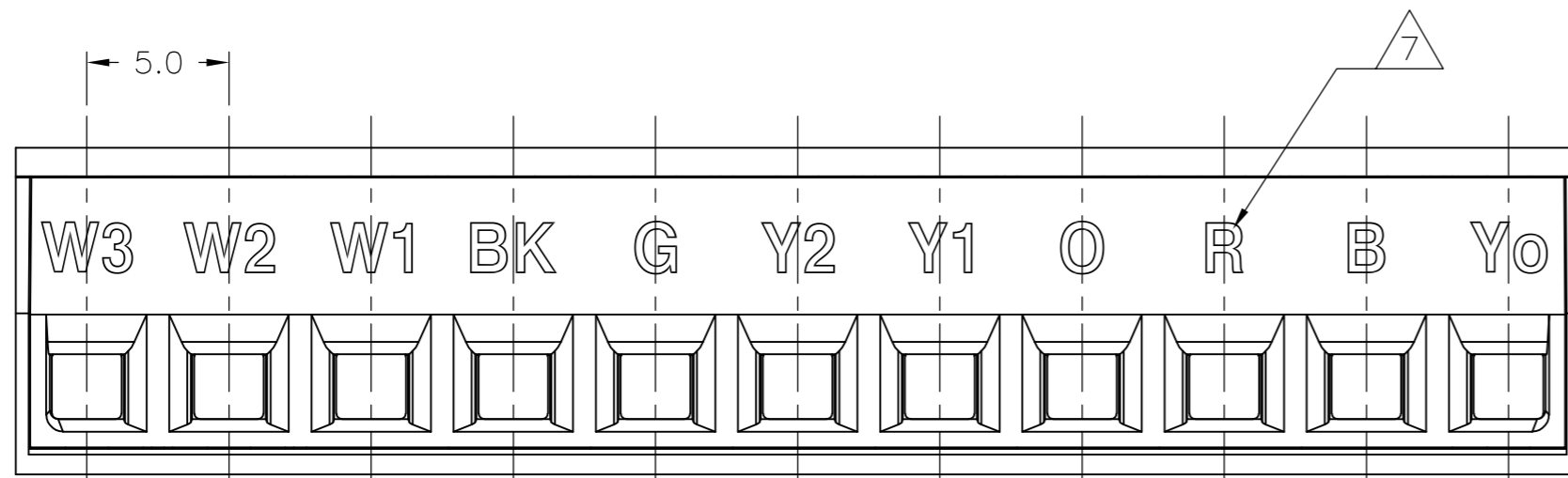
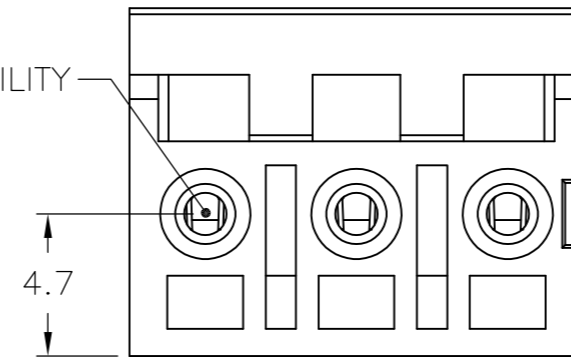


WIRE ENTRY

2.5
 5
 5.00±0.05
 TYP



TEST FACILITY



2-1548018-6

| | | | |
|---|-----|------------|-------------|
| 8 | 55 | 11 | 2-1546018-6 |
| | 125 | 25 | 2-1546018-5 |
| | 120 | 24 | 2-1546018-4 |
| | 115 | 23 | 2-1546018-3 |
| | 110 | 22 | 2-1546018-2 |
| | 105 | 21 | 2-1546018-1 |
| | 100 | 20 | 2-1546018-0 |
| | 95 | 19 | 1-1546018-9 |
| | 90 | 18 | 1-1546018-8 |
| | 85 | 17 | 1-1546018-7 |
| | 80 | 16 | 1-1546018-6 |
| | 75 | 15 | 1-1546018-5 |
| | 70 | 14 | 1-1546018-4 |
| | 65 | 13 | 1-1546018-3 |
| | 60 | 12 | 1-1546018-2 |
| | 55 | 11 | 1-1546018-1 |
| | 50 | 10 | 1-1546018-0 |
| | 45 | 9 | 1546018-9 |
| | 40 | 8 | 1546018-8 |
| | 35 | 7 | 1546018-7 |
| | 30 | 6 | 1546018-6 |
| | 25 | 5 | 1546018-5 |
| | 20 | 4 | 1546018-4 |
| | 15 | 3 | 1546018-3 |
| | 10 | 2 | 1546018-2 |
| A | | NO OF POSN | PART NUMBER |

| | | | | |
|--|--------|--------------------------------|--|--|
| THIS DRAWING IS A CONTROLLED DOCUMENT. | | DWN S SCHLEGEL 27AUG2009 | | |
| DIMENSIONS: mm | | CHK C RICHARD 8/27/09 | | |
| TOLERANCES UNLESS OTHERWISE SPECIFIED: | | APVD C RICHARD 8/27/09 | NAME TERMINAL BLOCK PLUG 90/180 DEGREE 5.0mm PITCH | |
| 0 PLC ± - | | PRODUCT SPEC | SIZE A2 | |
| 1 PLC ± 0.3 | | APPLICATION SPEC | CAGE CODE 00779 | |
| 2 PLC ± 0.25 | | WEIGHT | DRAWING NO C=1546018 | |
| 3 PLC ± - | | CUSTOMER DRAWING | RESTRICTED TO | |
| 4 PLC ± - | | SCALE 4:1 | SHEET 1 OF 1 | |
| ANGLES ± 1° | | REV H3 | | |
| MATERIAL | FINISH | | | |

Mouser Electronics

Authorized Distributor

Click to View Pricing, Inventory, Delivery & Lifecycle Information:

[TE Connectivity:](#)

[1546018-2](#)