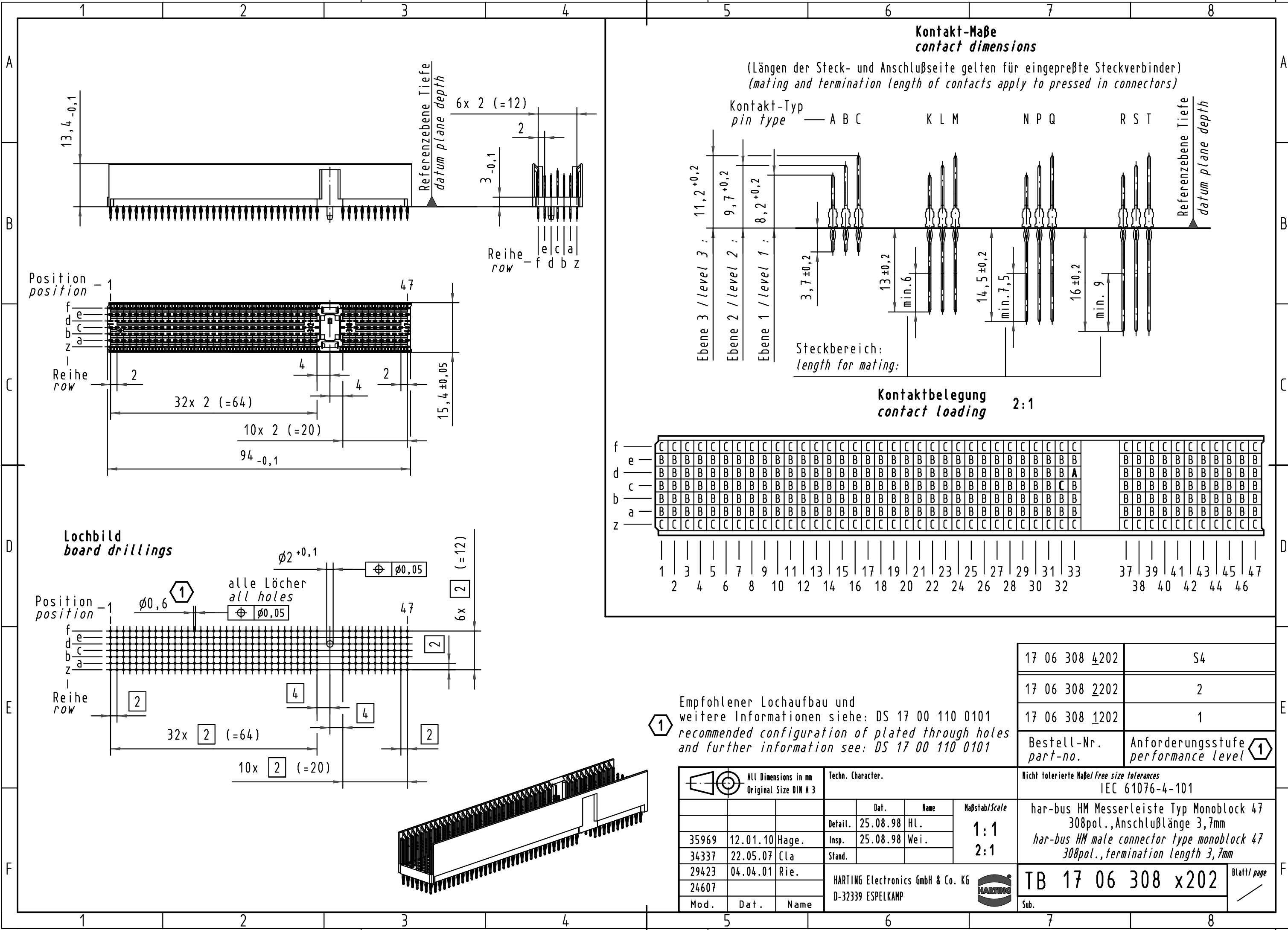
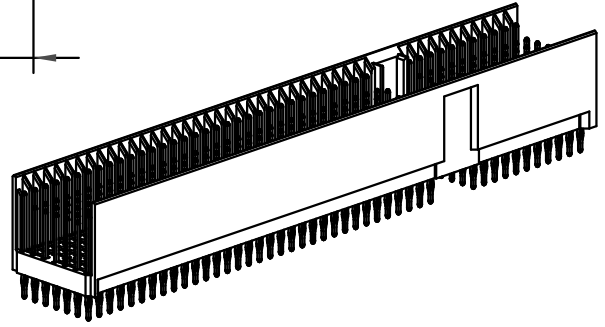


Alle Rechte vorbehalten/ All rights reserved



17 06 308 4202	S4
17 06 308 2202	2
17 06 308 1202	1
Bestell-Nr. <i>part-no.</i>	Anforderungsstufe <i>performance level</i> 1



Mouser Electronics

Authorized Distributor

Click to View Pricing, Inventory, Delivery & Lifecycle Information:

[HARTING:](#)

[17063081202](#) [17063082202](#)