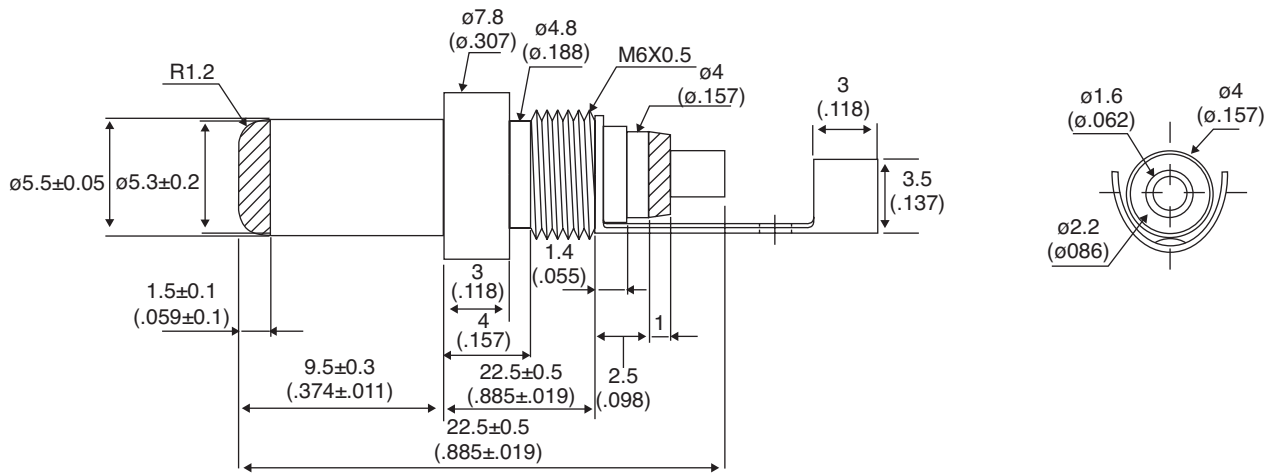
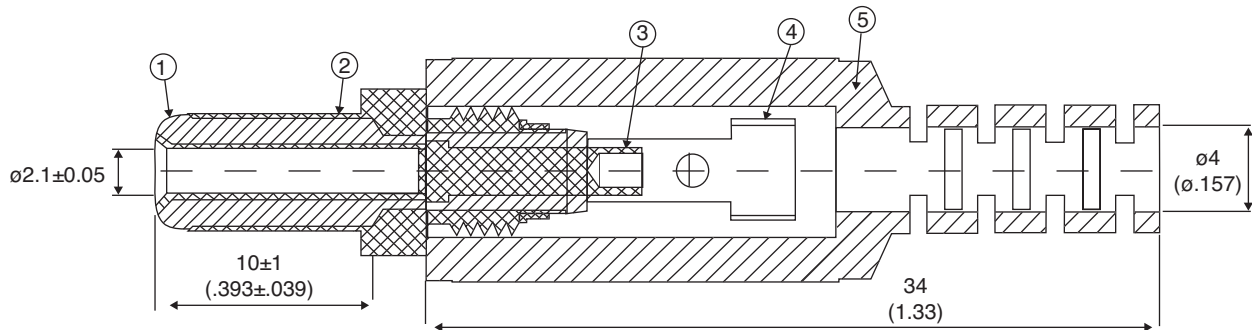


# DC Power Plug

171-PA5521-E



DC Power Plug



Dimensions: mm (in.)

## SPECIFICATIONS

1	POM Black
2	BRASS NICKEL
3	BRASS NICKEL
4	BRASS NICKEL
5	PVC BLACK
RoHS Compliant	

## Electrical Specifications

<b>Voltage:</b>	12VDC
<b>Amperage:</b>	2A

Date Last Revised: 05/14/07

Available from Mouser Electronics  
1-800-346-6873 / [www.mouser.com](http://www.mouser.com)

KC- 301154

Specifications are subject to change without notice. No liability or warranty implied by this information. Environmental compliance based on producer documentation.

171-PA5521-E

# Mouser Electronics

Authorized Distributor

Click to View Pricing, Inventory, Delivery & Lifecycle Information:

[Kobiconn:](#)

[171-PA5521-E](#)