

NOTES

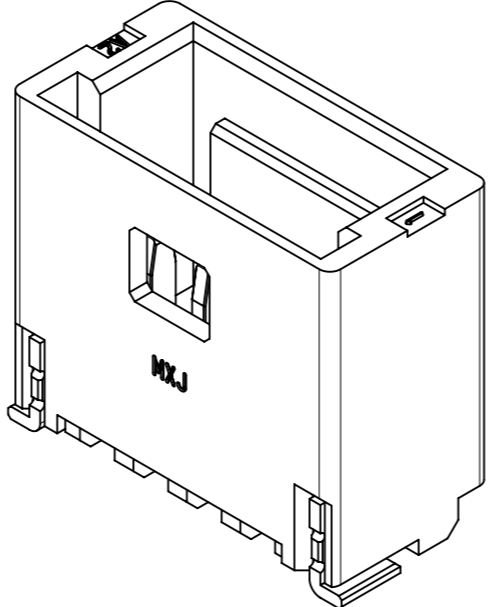
- 本製品は極数によって、ロック形状が変わりますので御注意願います。  
THE LOCK SHAPE OF THIS PRODUCT CHANGES ACCORDING TO THE NUMBER OF CIRCUIT.  
2~5 CIRCUITS : フリクションロック FRICTION LOCK  
6~15 CIRCUITS : インナーポジティブロック INNER POSITIVE LOCK
- 材料及び仕上げ(めっき仕様) : TABLE 1,2 参照  
MATERIAL AND FINISHES : SEE TABLE 1 AND 2
- 製品仕様書 : 5013300000-PS 001  
PRODUCT SPECIFICATION:
- 梱包形態 : SEE SHEET 4  
PACKAGING INFORMATION:
- 嵌合相手 : 501330 シリーズ  
MATES WITH:501330 SERIES
- アプリケーション仕様書(コネクタ取扱い説明書) : 5013300000-AS A00(JAPANESE)/-A01(ENGLISH)  
APPLICATION SPECIFICATION(CONNECTOR MANUAL):
- 溶剤ピン及びネイルの平坦度:0.1 MAX.  
SOLDER PIN AND NAIL COPLANARITY: 0.1 MAX.
- 偶数極に適用  
APPLY FOR EVEN CIRCUIT
- 本製品は錫めっき品である。金めっき品は以下の図面を御参照下さい。  
THIS PRODUCT IS A TIN PLATING. PLEASE REFER TO THE FOLLOWING DRAWING FOR GOLD PLATING VERSION.

GOLD PLATING THICKNESS [micro-meter MIN.]	SERIES No.	DRAWING No.
0.1	504449	5044490000-SD PSD 000
0.38	203556	2035560000-SD PSD 000
0.76	203557	2035570000-SD PSD 000

TABLE 1

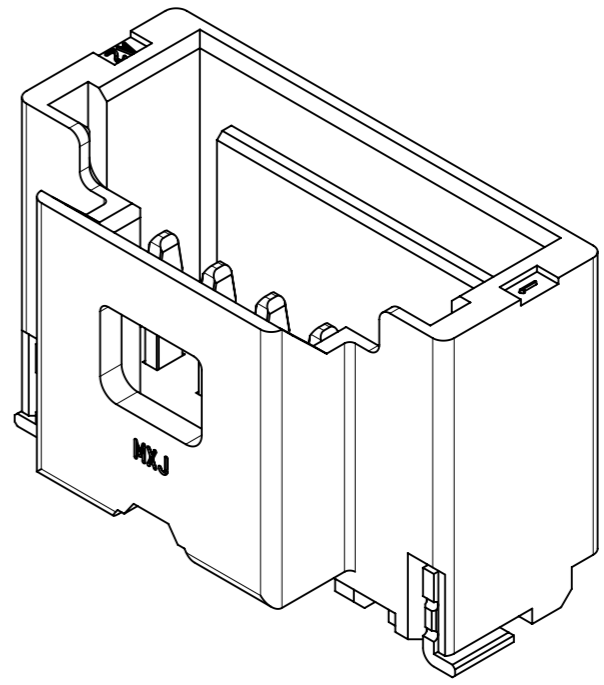
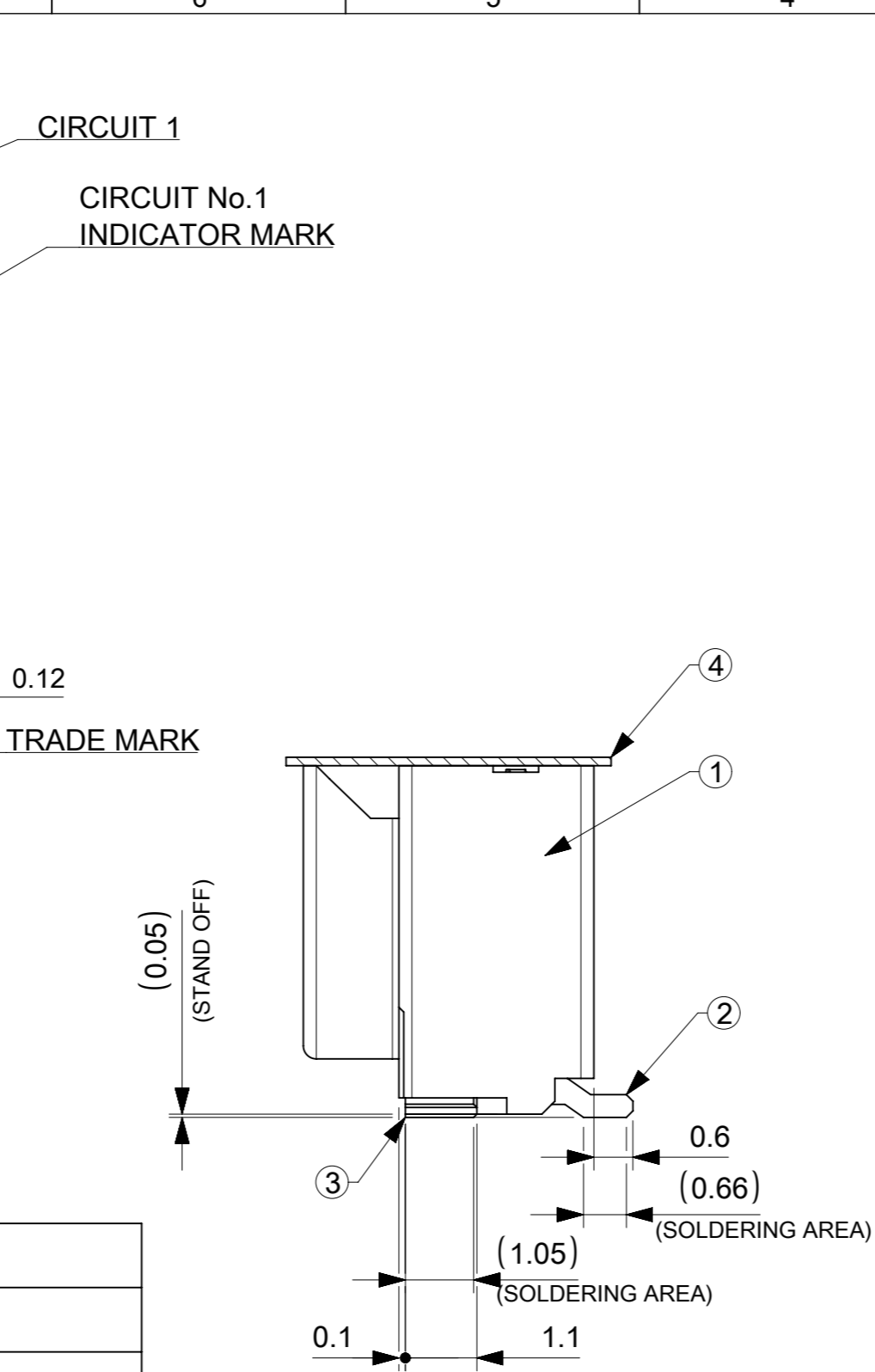
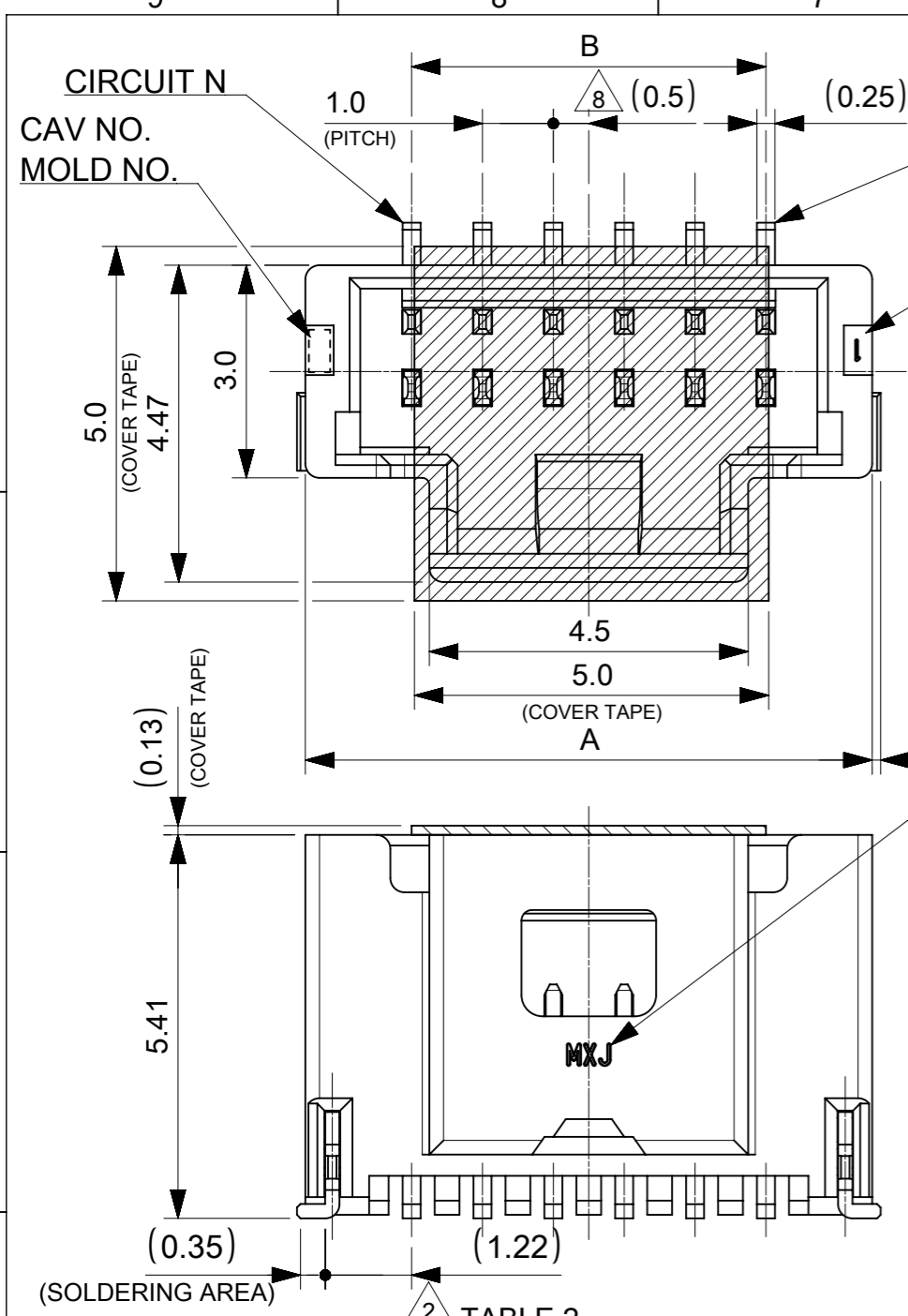
番号 NO.	部品 PART	材質 MATERIAL	
①	ウエハー WAFER	ポリアミド(PA), UL94V-0, 色 : SEE SHEET 6 POLYAMIDE(PA), UL94V-0, COLOR : SEE SHEET 6	
②	溶剤ピン SOLDER PIN	リン青銅 PHOSPHOR BRONZE	
		接点部 CONTACT AREA	錫めっき : 1.0 MICRO-METER MIN. MATTE TIN PLATING
		テール部 TAIL AREA	錫めっき : 1.0 MICRO-METER MIN. MATTE TIN PLATING
	下地めっき UNDER PLATING	ニッケルめっき : 1.0 MICRO-METER MIN. NICKEL	
③	ネイル NAIL	リン青銅 PHOSPHOR BRONZE	
		テール部 TAIL AREA	錫めっき : 1.0 MICRO-METER MIN. MATTE TIN PLATING
		下地めっき UNDER PLATING	ニッケルめっき : 1.0 MICRO-METER MIN. NICKEL
④	カバーテープ COVER TAPE	ポリイミドテープ POLYIMIDE TAPE	

4.0	7.0	5
3.0	6.0	4
2.0	5.0	3
1.0	4.0	2
B	A	極数 CIRCUIT SIZE



THIS DRAWING CONTAINS INFORMATION THAT IS PROPRIETARY TO MOLEX ELECTRONIC TECHNOLOGIES, LLC AND SHOULD NOT BE USED WITHOUT WRITTEN PERMISSION

DIMENSION UNITS	SCALE	CURRENT REV DESC:	<b>molex</b>		
mm	NTS				
GENERAL TOLERANCES (UNLESS SPECIFIED)			PICO-CLASP 1.0 W/B SINGLE ROW VT SMT INNER LOCK TIN PLATING		
ANGULAR TOL	± 3.0 °	EC NO: 614886	PRODUCT CUSTOMER DRAWING		
4 PLACES	± 0.2	DRWN: AISHIKAWA 2019/02/18	DOCUMENT NUMBER		
3 PLACES	± 0.2	CHK'D: AIDA 2019/04/03	DOC TYPE DOC PART REVISION		
2 PLACES	± 0.2	APPR: KOMURAKAMI 2019/04/05	5013310000-SD PSD 000 A		
1 PLACE	± 0.2	INITIAL REVISION:	MATERIAL NUMBER CUSTOMER SHEET NUMBER		
0 PLACES	± 0.2	DRWN: AISHIKAWA 2019/02/18	SEE SHEET 6		
DRAFT WHERE APPLICABLE MUST REMAIN WITHIN DIMENSIONS			THIRD ANGLE PROJECTION	DRAWING	SERIES
				A3-SIZE	501331



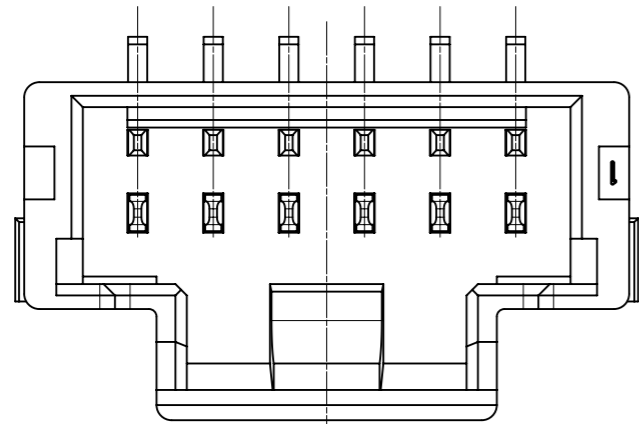
番号 NO.	部品 PART	材質 MATERIAL	
①	ウエハー WAFER	ポリアミド(PA), UL94V-0, 色 : SEE SHEET 6 POLYAMIDE(PA), UL94V-0, COLOR : SEE SHEET 6	
②	ソルダーピン SOLDER PIN	リン青銅 PHOSPHOR BRONZE	
		接点部 CONTACT AREA	錫めっき : 1.0 MICRO-METER MIN. MATTE TIN PLATING
		テール部 TAIL AREA	錫めっき : 1.0 MICRO-METER MIN. MATTE TIN PLATING
③	ネイル NAIL	リン青銅 PHOSPHOR BRONZE	
		テール部 TAIL AREA	錫めっき : 1.0 MICRO-METER MIN. MATTE TIN PLATING
④	カバーテープ COVER TAPE	下地めっき UNDER PLATING	ニッケルめっき : 1.0 MICRO-METER MIN. NICKEL
		ポリイミドテープ POLYIMIDE TAPE	

DOCUMENT STATUS | P1 | RELEASE DATE | 2019/04/05 | 01:07:45

14.0	17.0	15
13.0	16.0	14
12.0	15.0	13
11.0	14.0	12
10.0	13.0	11
9.0	12.0	10
8.0	11.0	9
7.0	10.0	8
6.0	9.0	7
5.0	8.0	6
B	A	極数 CIRCUIT SIZE

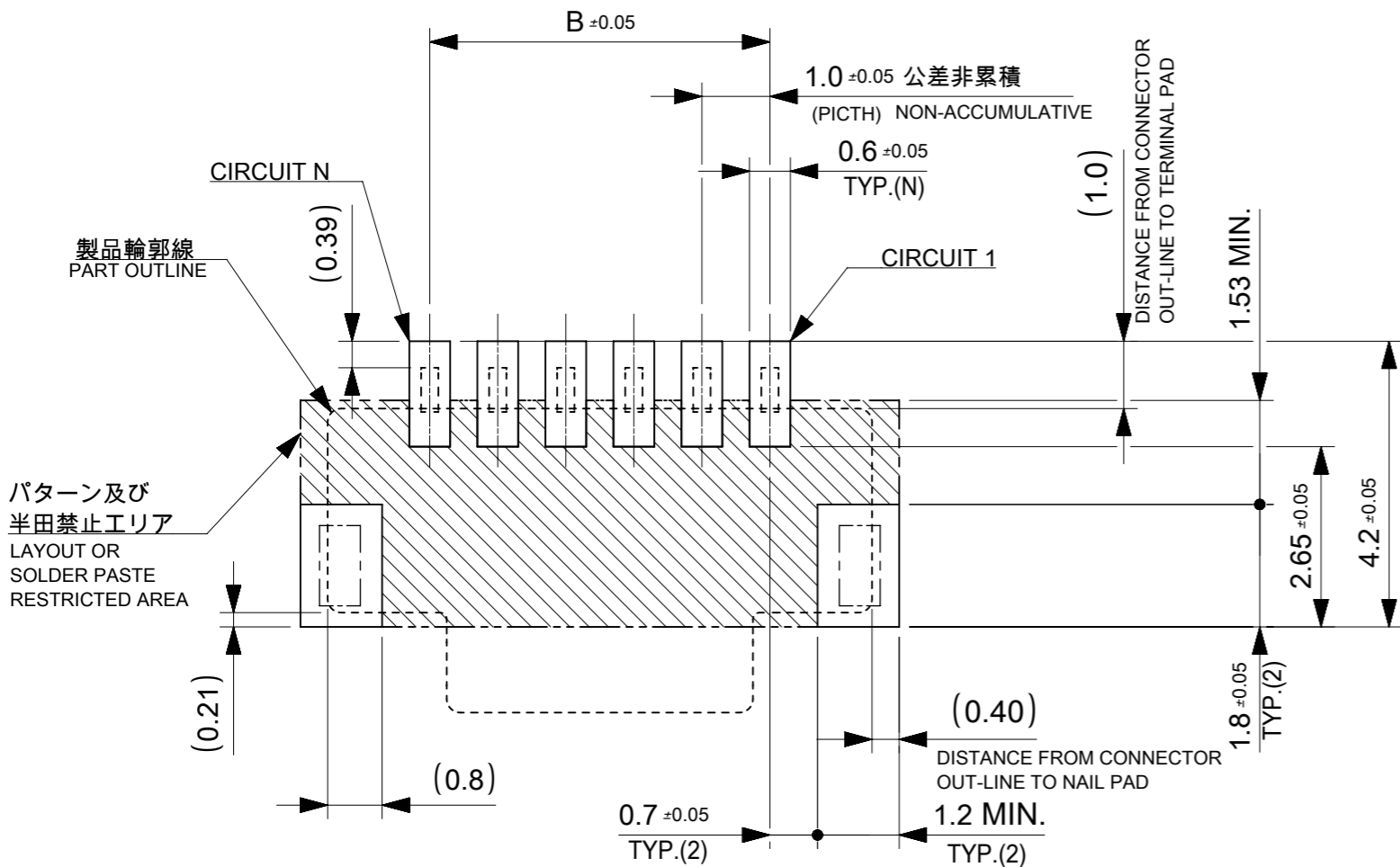
THIS DRAWING CONTAINS INFORMATION THAT IS PROPRIETARY TO MOLEX ELECTRONIC TECHNOLOGIES, LLC AND SHOULD NOT BE USED WITHOUT WRITTEN PERMISSION

DIMENSION UNITS <b>mm</b>	SCALE <b>NTS</b>	CURRENT REV DESC:		<b>molex</b>		
GENERAL TOLERANCES (UNLESS SPECIFIED)		EC NO: 614886				
ANGULAR TOL ± 3.0°	4 PLACES ± 0.2	DRWN: AISHIKAWA	2019/02/18	SINGLE ROW VT SMT INNER LOCK TIN PLATING		
3 PLACES ± 0.2	2 PLACES ± 0.2	CHK'D: AIDA	2019/04/03	PRODUCT CUSTOMER DRAWING		
1 PLACE ± 0.2	0 PLACES ± 0.2	APPR: KOMURAKAMI	2019/04/05	INITIAL REVISION:		
DRAFT WHERE APPLICABLE MUST REMAIN WITHIN DIMENSIONS		THIRD ANGLE PROJECTION		DRWN: AISHIKAWA	2019/02/18	DOCUMENT NUMBER
				APPR: KOMURAKAMI	2019/04/05	5013310000-SD
				DRAWING		DOC TYPE
				SERIES		DOC PART
				MATERIAL NUMBER		REVISION
				CUSTOMER		
				SHEET NUMBER		
				A3-SIZE		2 OF 6
				501331		
				SEE SHEET 6		



製品レイアウト(参考: 6~15 CIRCUITS)  
PRODUCT LAYOUT(REFERENCE: 6~15 CIRCUITS)

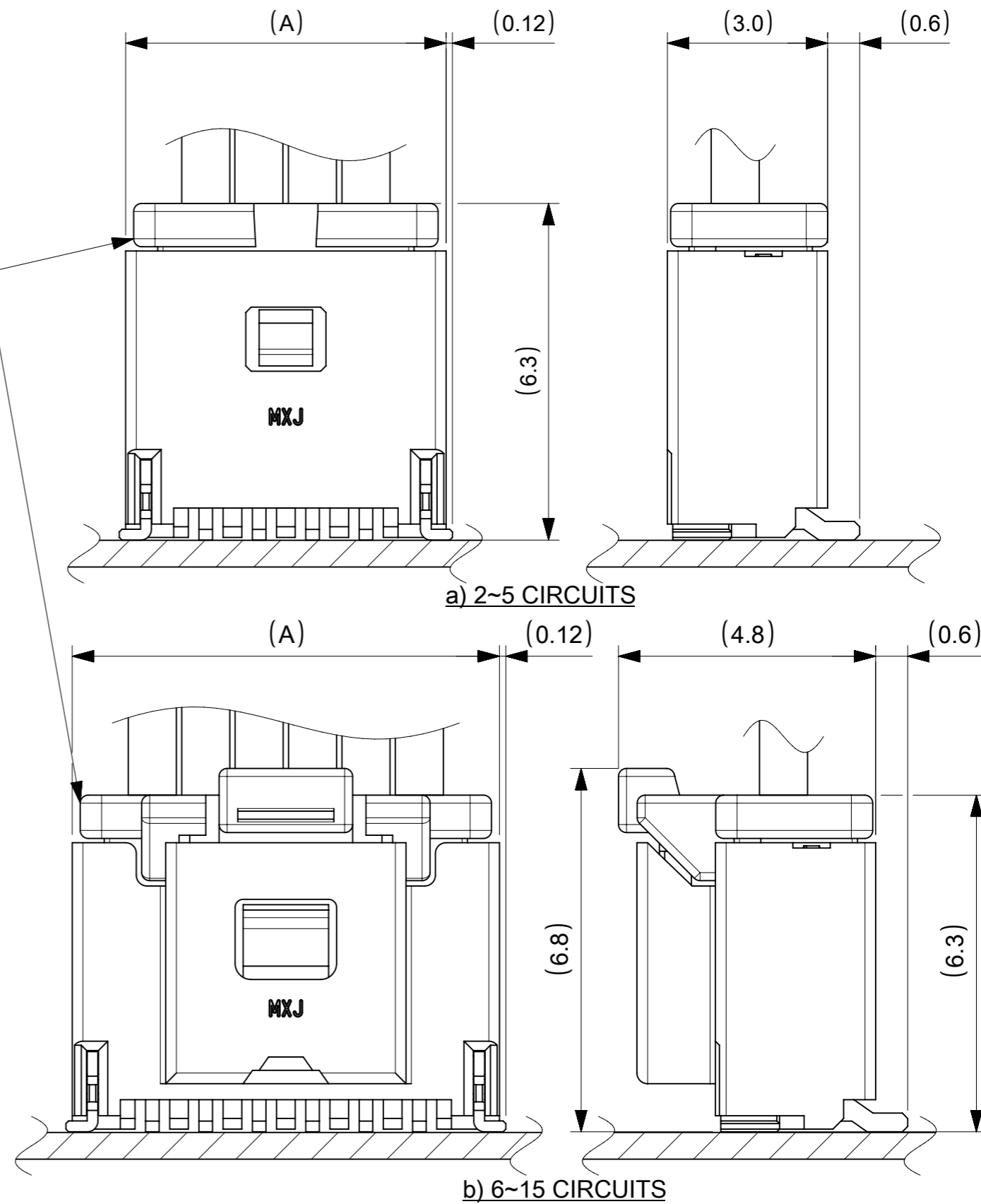
△ 嵌合相手: 501330 シリーズ  
MATE WITH: 501330 SERIES



推奨基板レイアウト(全極数適応): 実装面側  
(参考: 基板厚 1.0mm, メタルマスク厚さ 0.12mm, マスク開口率100%)

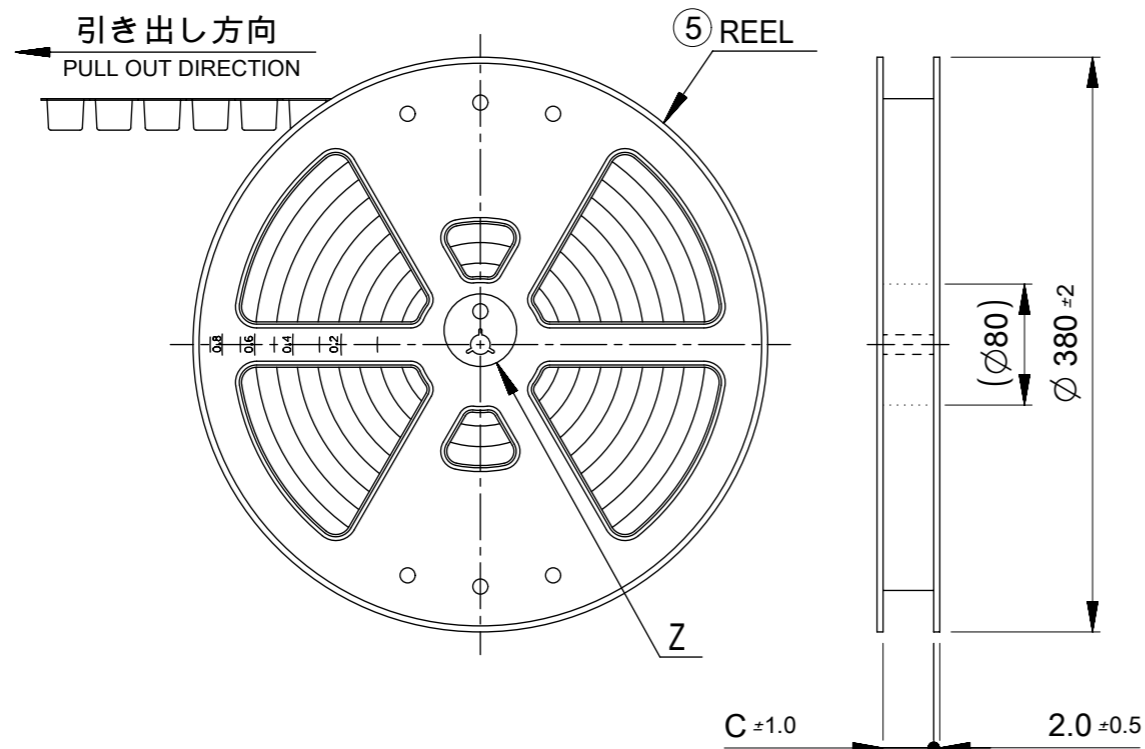
POLARIZED RECOMMENDED PCB LAYOUT(APPLY TO ALL CIRCUIT): COMPONENT SIDE  
(REFERENCE: PCB THICKNESS 1.0mm, STENCIL THICKNESS 0.12mm, APERTURE RATIO 100%)

:パターン禁止エリア  
RESTRICTED AREA  
NO PCB COMPONENTS ALLOWED



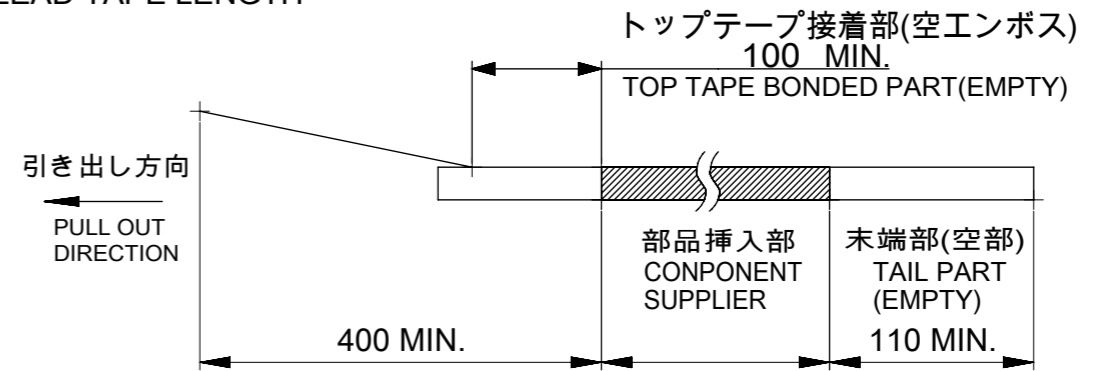
嵌合図  
MATED CONNECTORS

THIS DRAWING CONTAINS INFORMATION THAT IS PROPRIETARY TO MOLEX ELECTRONIC TECHNOLOGIES, LLC AND SHOULD NOT BE USED WITHOUT WRITTEN PERMISSION		CURRENT REV DESC:		<b>molex</b>	
DIMENSION UNITS	SCALE				
mm	NTS			PICO-CLASP 1.0 W/B SINGLE ROW VT SMT INNER LOCK TIN PLATING	
GENERAL TOLERANCES (UNLESS SPECIFIED)				PRODUCT CUSTOMER DRAWING	
ANGULAR TOL	± 3.0°	EC NO:	614886	DOCUMENT NUMBER	
4 PLACES	± 0.2	DRWN:	AISHIKAWA 2019/02/18	5013310000-SD	
3 PLACES	± 0.2	CHK'D:	AIDA 2019/04/03	DOC TYPE	DOC PART
2 PLACES	± 0.2	APPR:	KOMURAKAMI 2019/04/05	PSD	000
1 PLACE	± 0.2	INITIAL REVISION:		REVISION	A
0 PLACES	± 0.2	DRWN:	AISHIKAWA 2019/02/18	CUSTOMER	
DRAFT WHERE APPLICABLE MUST REMAIN WITHIN DIMENSIONS		APPR:	KOMURAKAMI 2019/04/05	MATERIAL NUMBER	SEE SHEET 6
THIRD ANGLE PROJECTION		DRAWING	A3-SIZE	SERIES	501331
		SHEET NUMBER	3 OF 6		

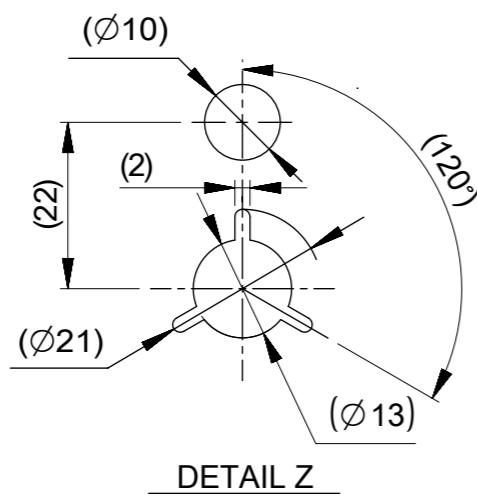


NOTES

- 10. 梱包数量:1100個/リール  
NUMBER OF CONNECTORS : 1100 PIECES/REEL
- 11. リードテープ長さ  
LEAD TAPE LENGTH



- 12. トップテープの剥離強度はIEC60286-3に準拠。  
TOP TAPE PEELING FORCE IS DEFINED BY IEC60286-3.
- 13. 2~5極品は乾燥剤入り、ハイバリア梱包による納品となります。  
2~5 CIRCUITS IS DELIVERED IN A HIGH BARRIER PACKAGE WITH DESOCCANT.
- 14. 梱包仕様書 : SPK-501331-001  
PACKAGE SPECIFICATION:
- 15. 発注番号 : SHEET 6 参照  
ORDER No. : PLEASE REFER TO SHEET 6 FOR PRODUCT LIST.



501331

\*\* \*\* \*

極数 CIRCUIT SIZE	ハウジングカラー HOUSING COLOR	製品識別番号 IDENTIFICATION NUMBER
	0:NATURAL(BEIGE)	7:EMBOSSED PACKAGE

33.4	15
	14
	13
25.4	12
	11
	10
	9
	8
17.5	7
	6
	5
	4
C	3
	2
	極数 CIRCUIT SIZE

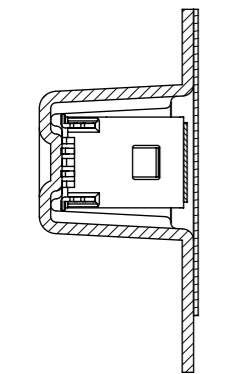
番号 NO.	部品 PART	材質 MATERIAL
⑤	リール REEL	ポリスチレン(PS) <リサイクル材を含む> POLYSTYRENE(PS) <RECYCLE MATERIAL CONTAINED>

DOCUMENT STATUS	P1	RELEASE DATE	2019/04/05	01:07:45
-----------------	----	--------------	------------	----------

THIS DRAWING CONTAINS INFORMATION THAT IS PROPRIETARY TO MOLEX ELECTRONIC TECHNOLOGIES, LLC AND SHOULD NOT BE USED WITHOUT WRITTEN PERMISSION

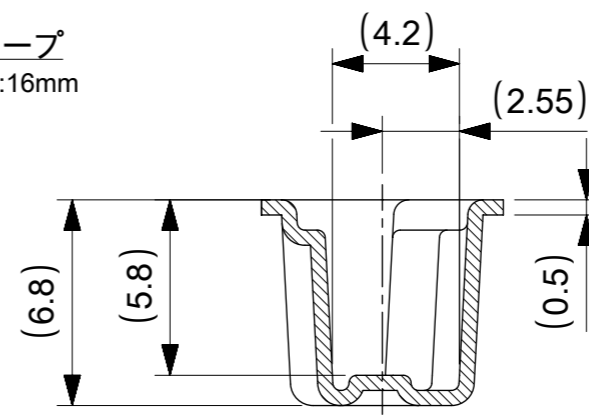
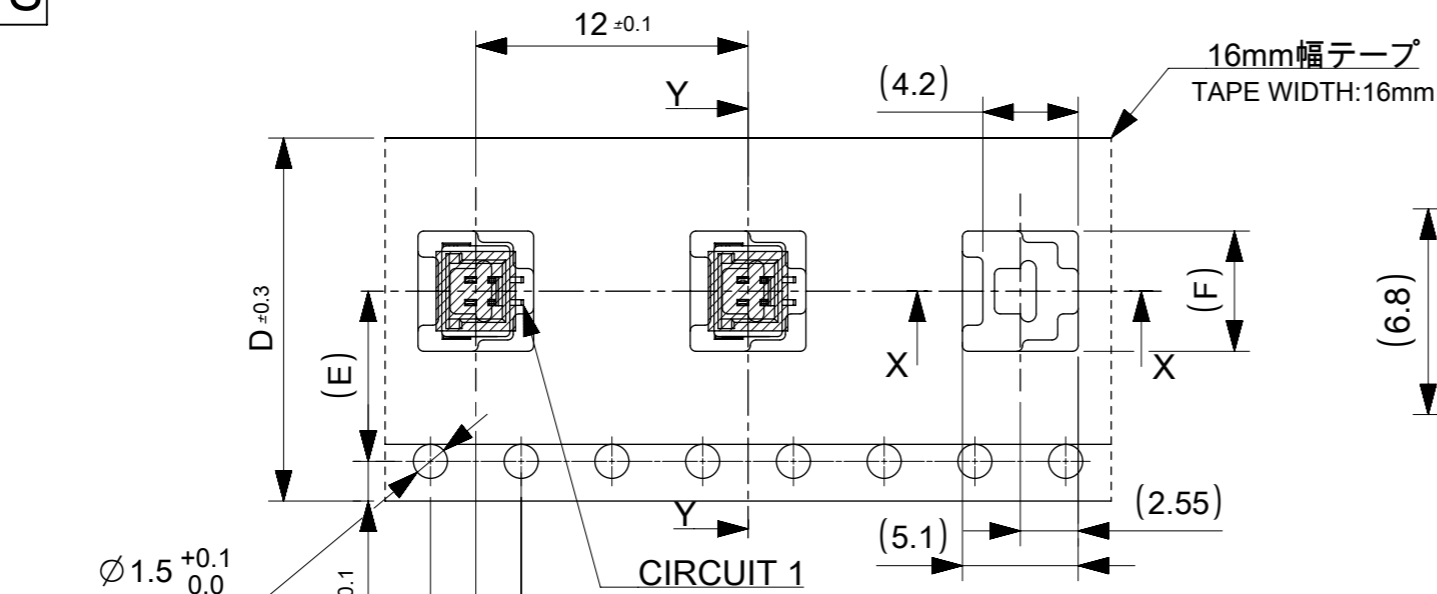
DIMENSION UNITS mm	SCALE NTS	CURRENT REV DESC:	<b>molex</b>		
GENERAL TOLERANCES (UNLESS SPECIFIED)	ANGULAR TOL ± 3.0°	EC NO: 614886			
4 PLACES ± 0.2	3 PLACES ± 0.2	DRWN: AISHIKAWA 2019/02/18	PRODUCT CUSTOMER DRAWING		
2 PLACES ± 0.2	1 PLACE ± 0.2	CHK'D: AIDA 2019/04/03	DOCUMENT NUMBER		
0 PLACES ± 0.2		APPR: KOMURAKAMI 2019/04/05	5013310000-SD		
DRAFT WHERE APPLICABLE MUST REMAIN WITHIN DIMENSIONS	THIRD ANGLE PROJECTION	DRAWING A3-SIZE	SERIES 501331	MATERIAL NUMBER SEE SHEET 6	DOC TYPE PSD
				DOC PART 000	REVISION A
				CUSTOMER	SHEET NUMBER 4 OF 6

2~5 CIRCUITS

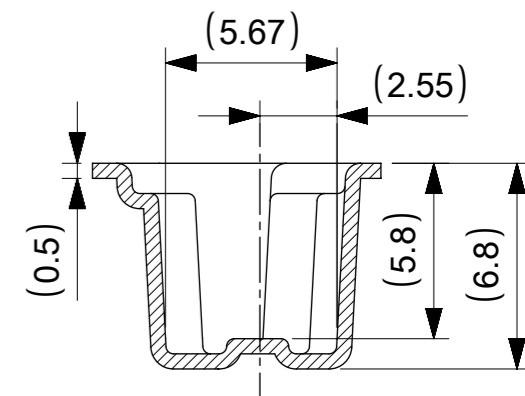


SECTION Y-Y

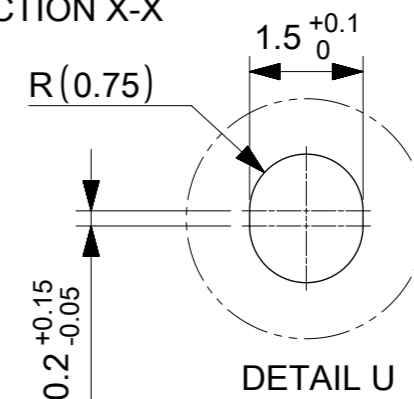
引き出し方向  
PULL OUT DIRECTION



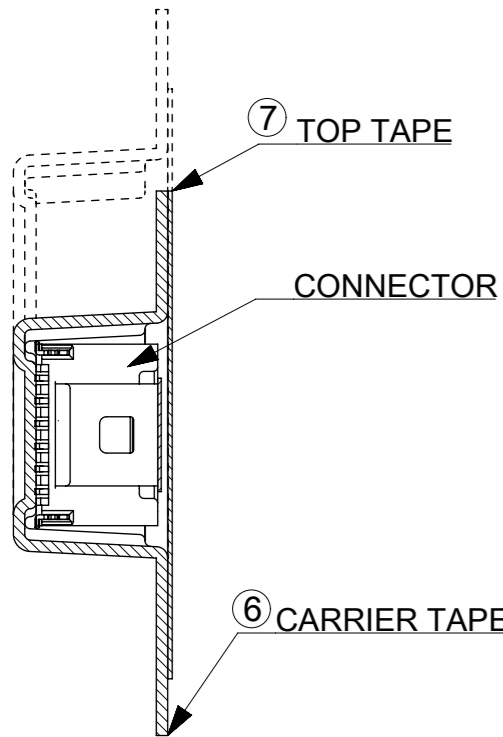
SECTION X-X



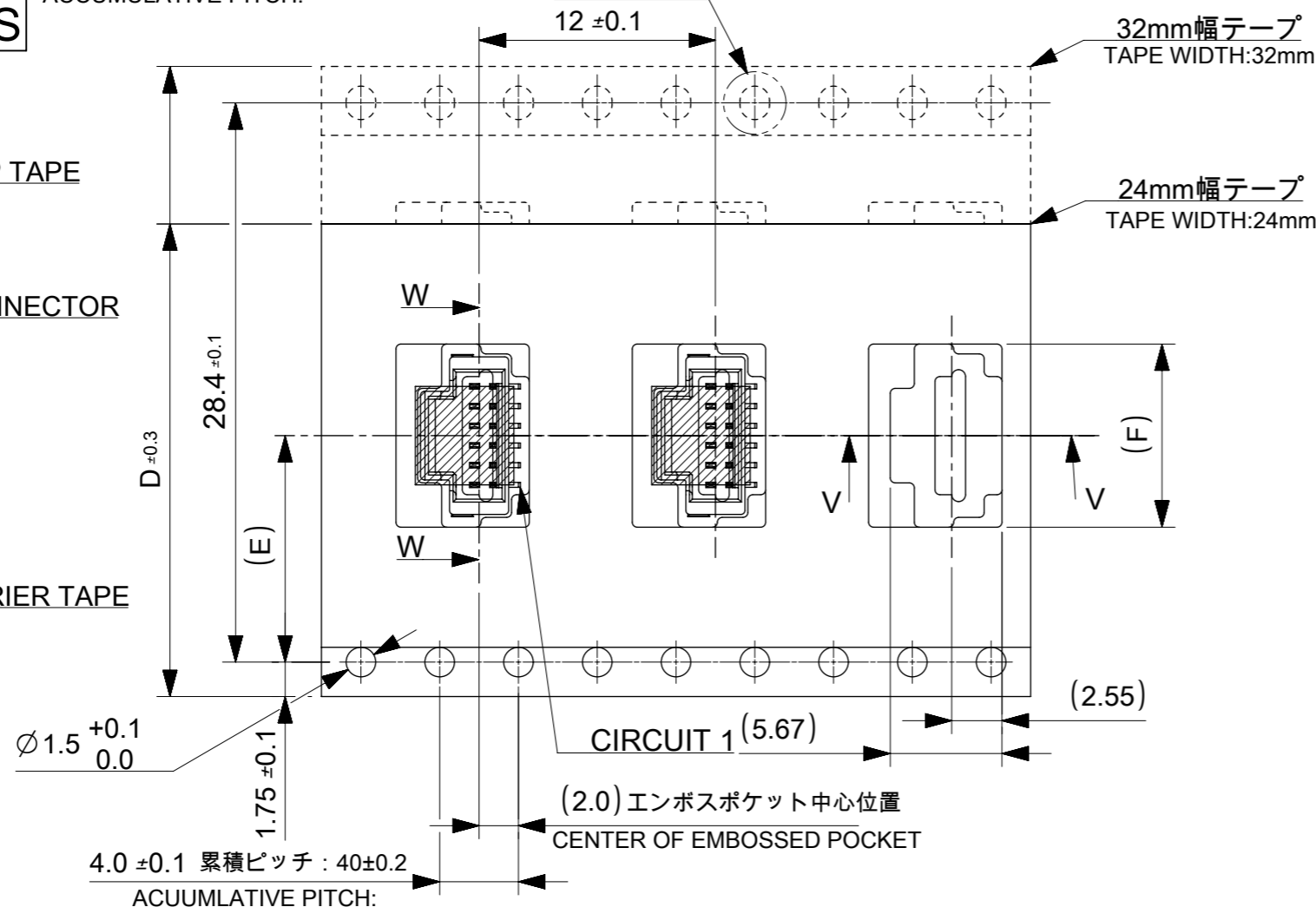
SECTION V-V



6~15 CIRCUITS



SECTION W-W



18.3			15
17.3	14.2	32	14
16.3			13
15.3			12
14.3			11
13.3			10
12.3	11.5	24	9
11.3			8
10.3			7
9.3			6
8.3			5
7.3	7.5	16	4
6.3			3
5.3			2
F	コネクタ中心位置 E SENER OF CONNECTOR	エンボステープ幅 D WIDTH OF TAPE	極数 CIRCUIT SIZE

番号 NO.	部品 PART	材質 MATERIAL
⑥	キャリアテープ CARRIER TAPE	ポリプロピレン(PP)、その他 POLYPROPYLEN(PP), etc
⑦	トップテープ TOP TAPE	ポリエチレン(PE)、その他 POLYETHYLENE(PE), etc

DOCUMENT STATUS	P1	RELEASE DATE	2019/04/05	01:07:45
-----------------	----	--------------	------------	----------

THIS DRAWING CONTAINS INFORMATION THAT IS PROPRIETARY TO MOLEX ELECTRONIC TECHNOLOGIES, LLC AND SHOULD NOT BE USED WITHOUT WRITTEN PERMISSION

SCALE: mm NTS

GENERAL TOLERANCES (UNLESS SPECIFIED):

ANGULAR TOL ± 3.0°

4 PLACES ± 0.2

3 PLACES ± 0.2

2 PLACES ± 0.2

1 PLACE ± 0.2

0 PLACES ± 0.2

DRAFT WHERE APPLICABLE MUST REMAIN WITHIN DIMENSIONS

THIRD ANGLE PROJECTION

DRAWING: A3-SIZE

SERIES: 501331

MATERIAL NUMBER: SEE SHEET 6

CUSTOMER: 5013310000-SD

DOCUMENT NUMBER: 5013310000-SD

DOC TYPE: PSD

DOC PART: 000

REVISION: A

SHEET NUMBER: 5 OF 6

CURRENT REV DESC:

EC NO: 614886

DRWN: AISHIKAWA 2019/02/18

CHK'D: AIDA 2019/04/03

APPR: KOMURAKAMI 2019/04/05

INITIAL REVISION:

DRWN: AISHIKAWA 2019/02/18

APPR: KOMURAKAMI 2019/04/05

PRODUCT CUSTOMER DRAWING

**molex**

PICO-CLASP 1.0 W/B  
SINGLE ROW VT SMT INNER LOCK TIN PLATING

9 8 7 6 5 4 3 2 1

E

E

D

D

C

C

B

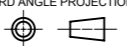
B

A

A

△13 △15 製品一覧 PRODUCT LIST

HOUSING COLOR		
NATURAL(BEIGE)		
501331	1507	15
△	1407	14
	1307	13
	1207	12
	1107	11
	1007	10
	0907	9
	0807	8
	0707	7
	0607	6
	0507	5
	0407	4
▽	0307	3
501331	0207	2
発注番号 ORDER No.		極数
梱包形態 : エンボスリール		CIRCUIT SIZE
PACKAGE:EMBOSSED REEL		

THIS DRAWING CONTAINS INFORMATION THAT IS PROPRIETARY TO MOLEX ELECTRONIC TECHNOLOGIES, LLC AND SHOULD NOT BE USED WITHOUT WRITTEN PERMISSION									
DIMENSION UNITS		SCALE		CURRENT REV DESC:				<b>molex</b>	
mm		NTS							
GENERAL TOLERANCES (UNLESS SPECIFIED)				EC NO: 614886				PICO-CLASP 1.0 W/B	
ANGULAR TOL ± 3.0 °				DRWN: AISHIKAWA 2019/02/18				SINGLE ROW VT SMT INNER LOCK TIN PLATING	
4 PLACES ± 0.2				CHK'D: AIDA 2019/04/03					
3 PLACES ± 0.2				APPR: KOMURAKAMI 2019/04/05				PRODUCT CUSTOMER DRAWING	
2 PLACES ± 0.2				INITIAL REVISION:				DOCUMENT NUMBER	
1 PLACE ± 0.2				DRWN: AISHIKAWA 2019/02/18				5013310000-SD	
0 PLACES ± 0.2				APPR: KOMURAKAMI 2019/04/05				DOC TYPE DOC PART REVISION	
DRAFT WHERE APPLICABLE MUST REMAIN WITHIN DIMENSIONS				THIRD ANGLE PROJECTION		DRAWING		SERIES	
						A3-SIZE		501331	
						MATERIAL NUMBER		CUSTOMER	
						SEE SHEET 6			
						SHEET NUMBER		6 OF 6	

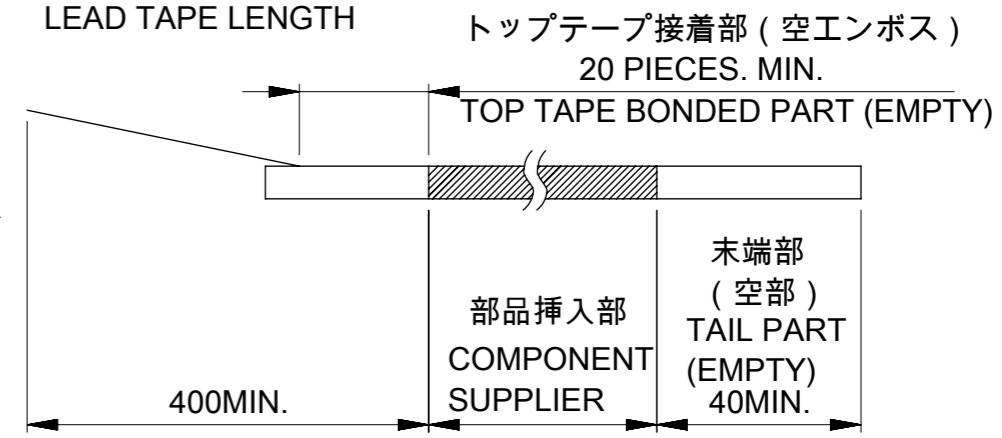
DOCUMENT STATUS	P1	RELEASE DATE	2019/04/05	01:07:45
-----------------	----	--------------	------------	----------

9 8 7 6 5 4 3 2 1

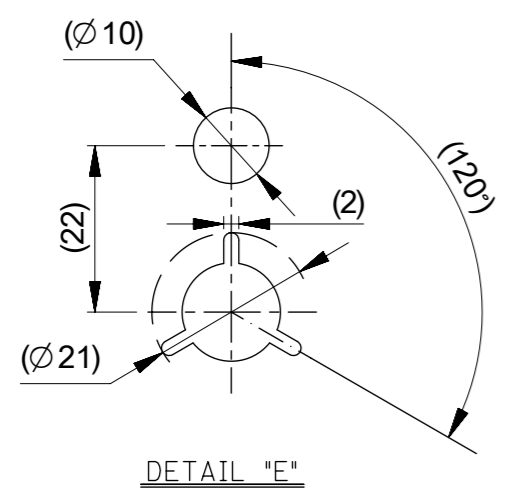
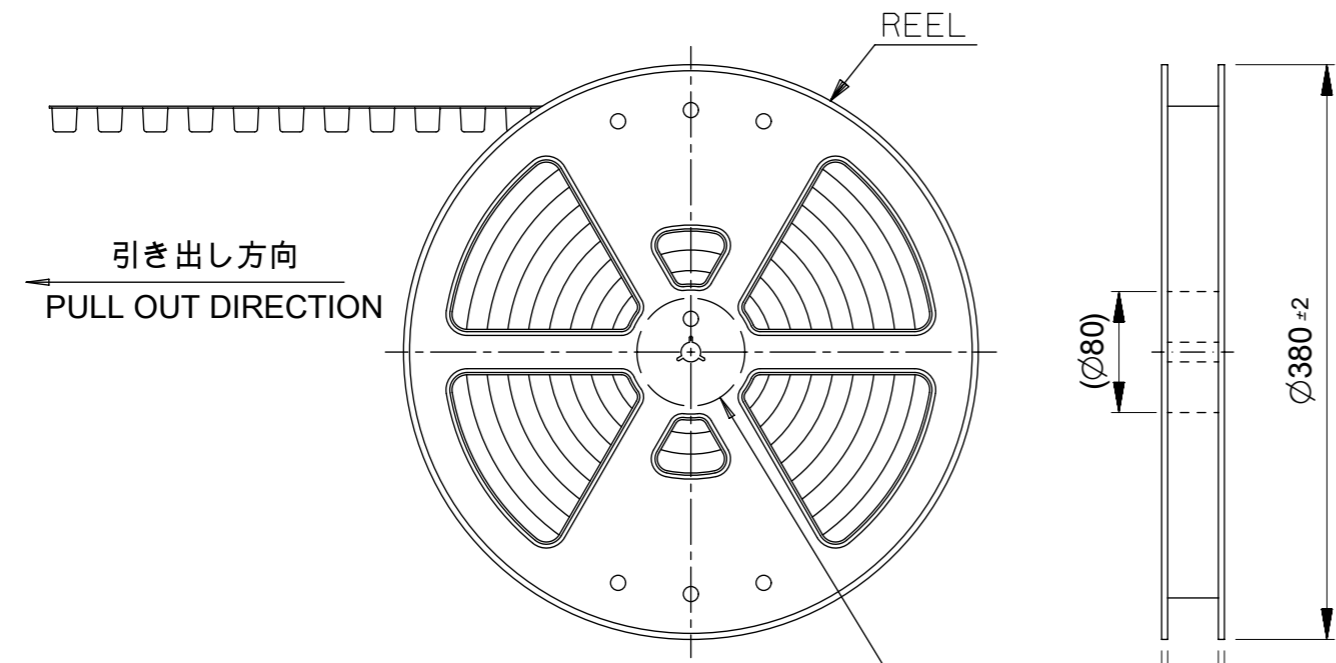
FORMAT: master-b-prod-A3  
REVISION: 11  
DATE: 2018/01/18

NOTES.

- 1. 製品詳細寸法については製品単体図面を参照ください。  
ABOUT DETAILED DIMENSION, SEE PRODUCT DRAWING.
- 2. 梱包数量：1100個 / リール  
NUMBER OF CONNECTORS : 1100PIECES/REEL
- 3. リードテープ長さ  
LEAD TAPE LENGTH



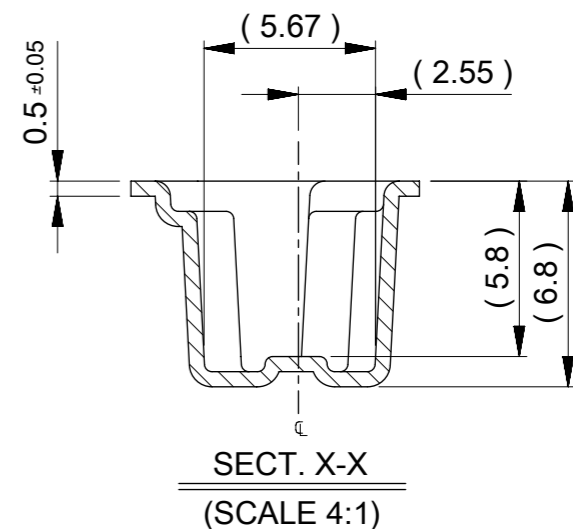
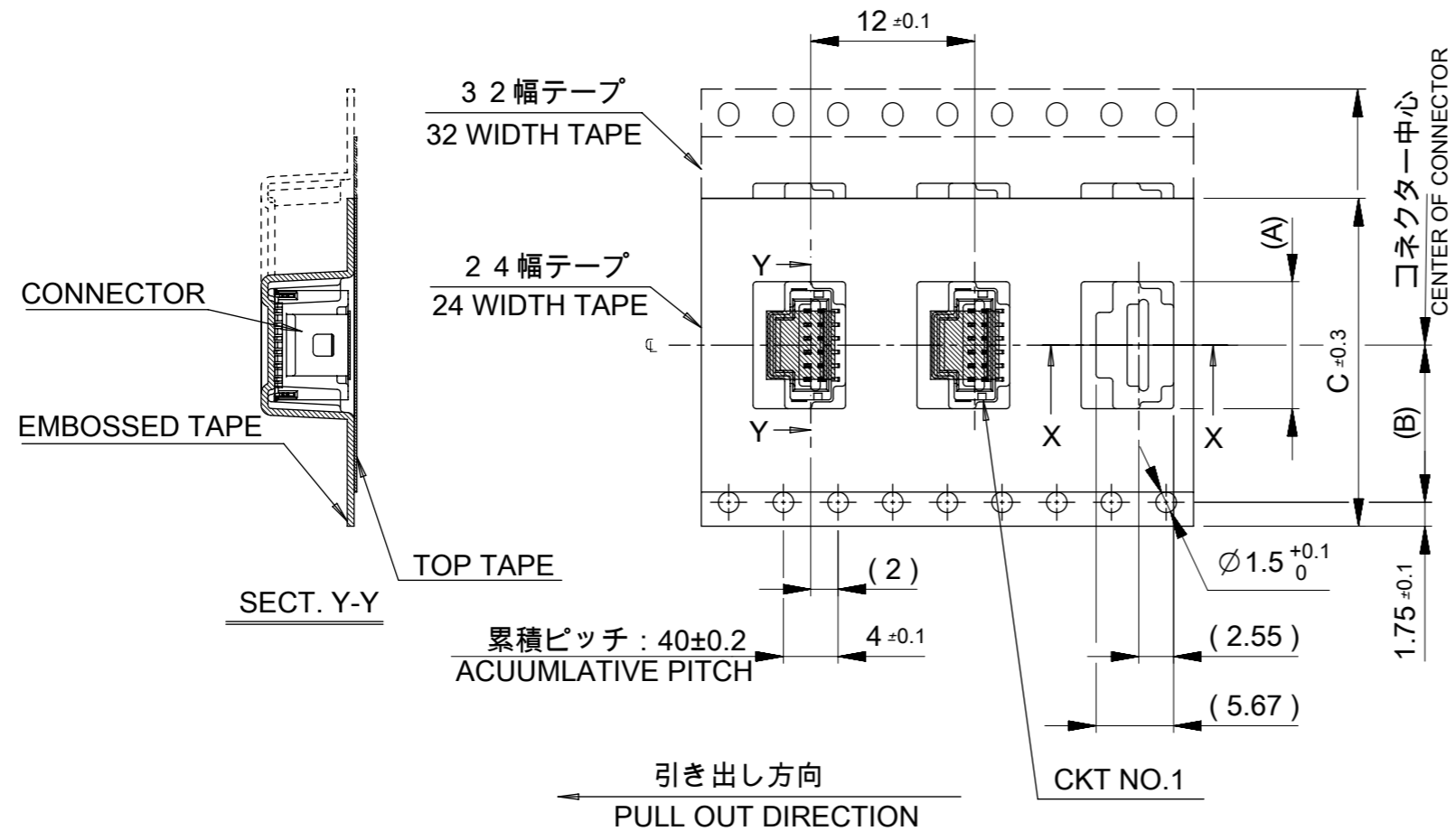
- 4. 材料  
MATERIAL  
キャリアテープ：ポリプロピレン  
CARRIER TAPE : POLYPROPYLENE  
トップテープ：PET,PE,REF  
TOP TAPE  
リール：ポリスチレン (リサイクル材を含む)  
REEL : POLYSTYLENE (RECYCLE MATERIAL CONTAINED)



緑 GREEN	青 BLUE	赤 RED	黒 BLACK	自然色 NATURAL	色 COLOR
5013311562	5013311542	5013311522	5013311512	5013311507	15
5013311462	5013311442	5013311422	5013311412	5013311407	14
5013311362	5013311342	5013311322	5013311312	5013311307	13
5013311262	5013311242	5013311222	5013311212	5013311207	12
5013311162	5013311142	5013311122	5013311112	5013311107	11
5013311062	5013311042	5013311022	5013311012	5013311007	10
5013310962	5013310942	5013310922	5013310912	5013310907	9
5013310862	5013310842	5013310822	5013310812	5013310807	8
5013310762	5013310742	5013310722	5013310712	5013310707	7
5013310662	5013310642	5013310622	5013310612	5013310607	6
EMBOSSED PACKAGE	EMBOSSED PACKAGE	EMBOSSED PACKAGE	EMBOSSED PACKAGE	EMBOSSED PACKAGE	極数 CIRCUTIS
△10 オーダー番号 ORDER NO.	△10 オーダー番号 ORDER NO.	△10 オーダー番号 ORDER NO.	△10 オーダー番号 ORDER NO.	△10 オーダー番号 ORDER NO.	

THIS DRAWING CONTAINS INFORMATION THAT IS PROPRIETARY TO MOLEX ELECTRONIC TECHNOLOGIES, LLC AND SHOULD NOT BE USED WITHOUT WRITTEN PERMISSION

EC NO: 120301 DRWN: QHE31 CHK'D: SAKIYAMA APPR: TKANEKO	2017/08/03 2017/08/04 2017/08/04	GENERAL TOLERANCES (UNLESS SPECIFIED) ANGULAR TOL ± 3.0 ° 4 PLACES ± 0.2 3 PLACES ± 0.2 2 PLACES ± 0.2 1 PLACE ± 0.2 0 PLACES ± 0.2	DIMENSION UNITS: MM SCALE: 1:1 DRWN BY: QHE31 DATE: 2017/08/03 CHK'D BY: SAKIYAMA DATE: 2017/08/04 APPR BY: TKANEKO DATE: 2017/08/04		
	DRAFT WHERE APPLICABLE MUST REMAIN WITHIN DIMENSIONS				DRAWING SIZE: A3 THIRD ANGLE PROJECTION
	PICO-CLASP 1.0 W/B SINGLE-ROW ST EMBSTP PKG WAFER ASS'Y				PRODUCT CUSTOMER DRAWING
	SERIES: 501331 MATERIAL NUMBER: SEE TABLE OF SHEET 1 CUSTOMER:				DOCUMENT NUMBER: 5013310612-SD DOC TYPE: PSD DOC PART: 000 SHEET NUMBER: 1 OF 3



SECT. Y-Y

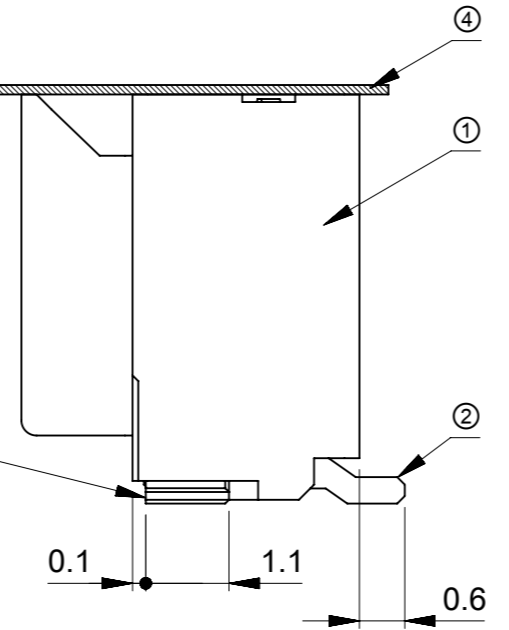
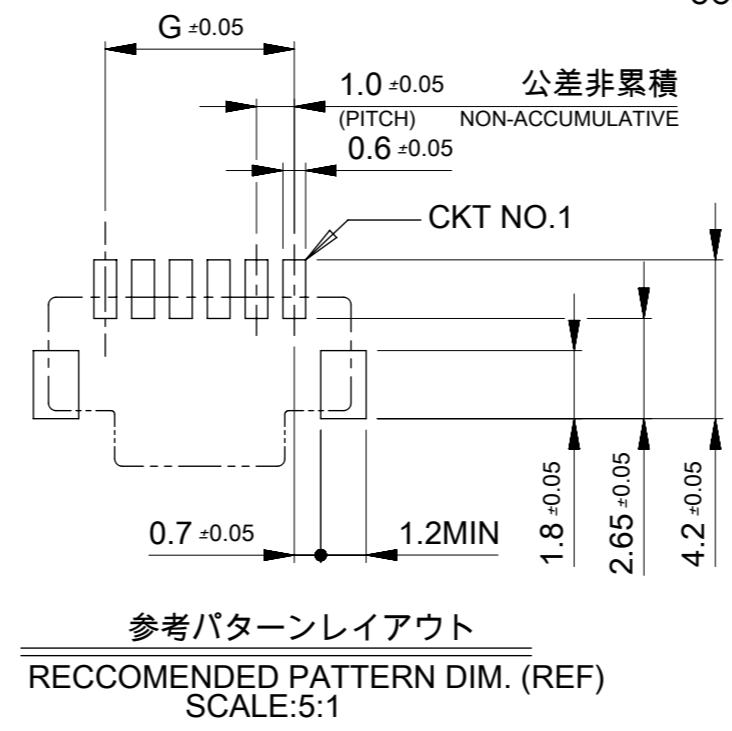
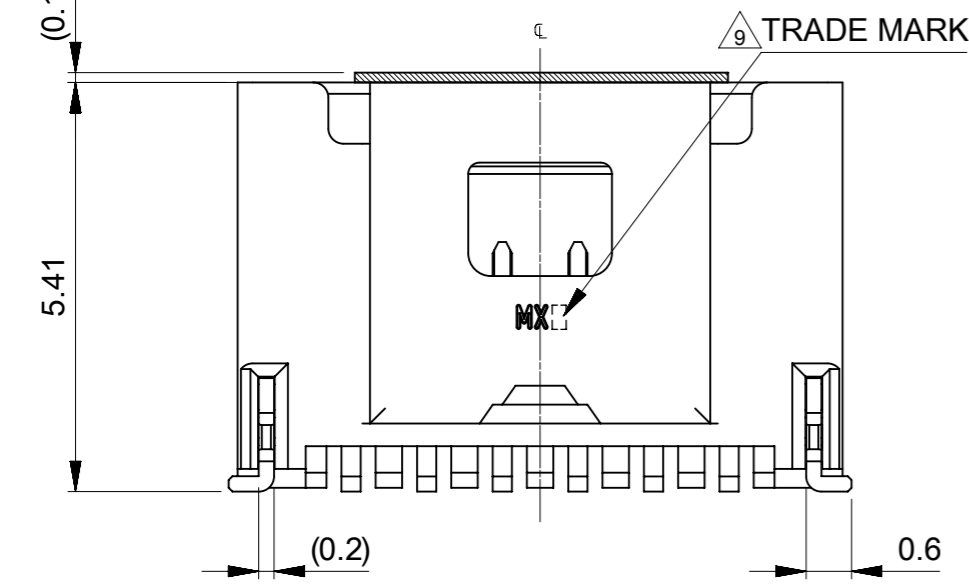
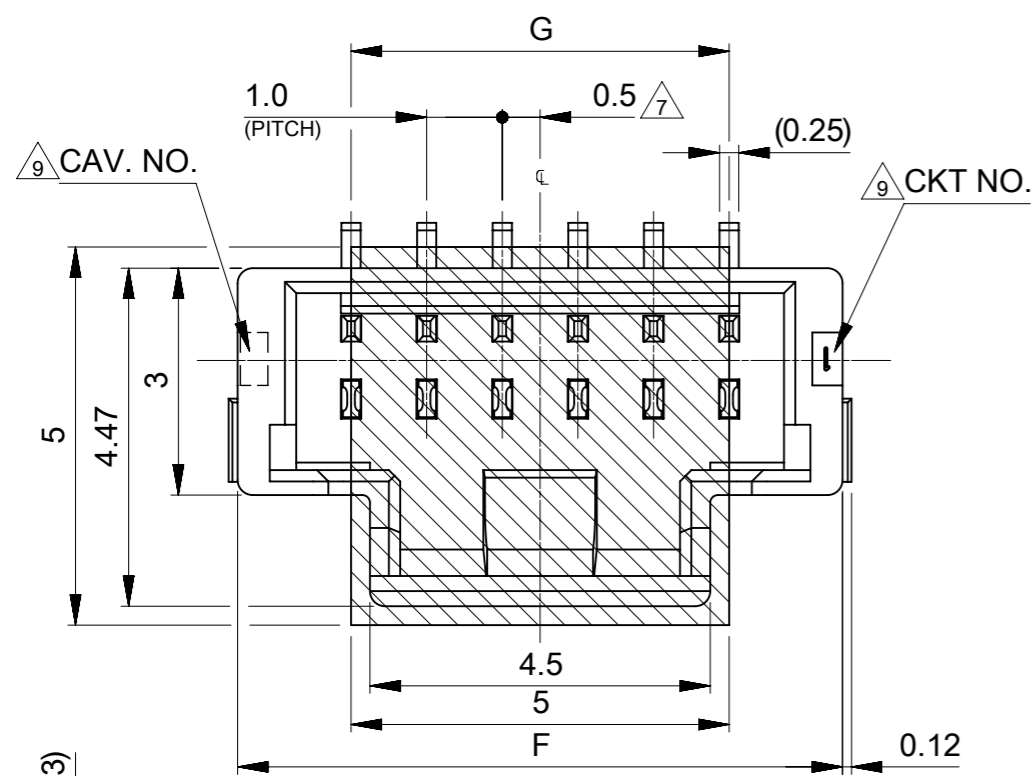
累積ピッチ: 40 ± 0.2  
ACUUMLATIVE PITCH

37.4	33.4	32	14.2	18.3	15
				17.3	14
				16.3	13
29.4	25.4	24	11.5	15.3	12
				14.3	11
				13.3	10
				12.3	9
				11.3	8
				10.3	7
E	D	C	(B)	9.3	6
				(A)	極数 CIRCUITS

THIS DRAWING CONTAINS INFORMATION THAT IS PROPRIETARY TO MOLEX ELECTRONIC TECHNOLOGIES, LLC AND SHOULD NOT BE USED WITHOUT WRITTEN PERMISSION

EC NO: 120301 DRWN: QHE31 CHK'D: SAKIYAMA APPR: TKANEKO	2017/08/03 2017/08/04 2017/08/04	GENERAL TOLERANCES (UNLESS SPECIFIED) ANGULAR TOL ± 3.0 ° 4 PLACES ± 0.2 3 PLACES ± 0.2 2 PLACES ± 0.2 1 PLACE ± 0.2 0 PLACES ± 0.2	DIMENSION UNITS: MM SCALE: ≯≯		
	DRWN BY: QHE31 DATE: 2017/08/03	CHK'D BY: SAKIYAMA DATE: 2017/08/04	APPR BY: TKANEKO DATE: 2017/08/04		PICO-CLASP 1.0 W/B SINGLE-ROW ST EMBSTP PKG WAFER ASS'Y
	PRODUCT CUSTOMER DRAWING				
	DRAWING SIZE: A3 THIRD ANGLE PROJECTION	SERIES: 501331 MATERIAL NUMBER: SEE TABLE OF SHEET 1 CUSTOMER:	DOCUMENT NUMBER: 5013310612-SD DOC TYPE: PSD DOC PART: 000 SHEET NUMBER: 2 OF 3		
	DRAFT WHERE APPLICABLE MUST REMAIN WITHIN DIMENSIONS				A3





CONFIDENTIAL

番号 NO.	部品 PART	材質 MATERIAL
①	ウェハー WAFER	△10 耐熱ナイロン樹脂, 色: 表参照 HEAT RESISTANCE NYLON, COLOR: SEE TABLE UL94V-0
②	ソルダーピン SOLDER PIN	りん青銅 PHOSPHOR BRONZE 錫メッキ: 1.0µm M I N . TIN ニッケルメッキ (下地): 1.0µm M I N . NICKEL (UNDER PLATING)
③	ネイル NAIL	りん青銅 PHOSPHOR BRONZE 錫メッキ: 1.0µm M I N . TIN ニッケルメッキ (下地): 1.0µm M I N . NICKEL (UNDER PLATING)
④	カバーテープ COVER TAPE	ポリイミドテープ POLYIMIDE TAPE

参考パターンレイアウト  
RECOMMENDED PATTERN DIM. (REF)  
SCALE: 5:1

△10 オーダー番号 ORDER NO.

501331 \* \* \* \*  
極数 CIRCUIT SIZE      色 COLOR

HSG COLOR	No.
自然色 NATURAL	07
黒 BLACK	12
赤 RED	22
青 BLUE	42
緑 GREEN	62

14.0	17.0	15
13.0	16.0	14
12.0	15.0	13
11.0	14.0	12
10.0	13.0	11
9.0	12.0	10
8.0	11.0	9
7.0	10.0	8
6.0	9.0	7
5.0	8.0	6
G	F	極数 CKT.

NOTES.

5. 嵌合相手 : 501330\*\*\*\*  
MATE WITH : 501330\*\*\*\*
6. ソルダーピン及びネイル平坦度は, 0.1MAX .  
SOLDER PIN AND NAIL COPLANARITY TO BE 0.1MAX.
- △7 極数 = 偶数に適用  
APPLY FOR CKT SIZE=EVEN
8. 2 ~ 5 極は, 5013310400-SD を参照下さい。  
REFER TO 5013310400-SD ABOUT 2-5CKT.
- △9 トレードマーク : MXプラス1文字の製造工場を示すアルファベットにて構成  
但し, "J"はJAPANを示す。  
キャビティー番号 : 1桁から2桁の数字で表示  
金型番号 : アルファベット1文字にて構成。  
FORMED BY MX AND 1 MORE LETTER OF ALPHABET WHICH MEAN THE MANUFACTORY, BUT "J" MEANS JAPAN. (TO TRADE MARK)  
AND BY I DIGIT NUMBER (TO CAVITY NO.)  
AND BY I LETTER OF ALPHABET (TO MOLD NO.)

THIS DRAWING CONTAINS INFORMATION THAT IS PROPRIETARY TO MOLEX ELECTRONIC TECHNOLOGIES, LLC AND SHOULD NOT BE USED WITHOUT WRITTEN PERMISSION

EC NO: 120301 DRWN: QHE31 CHK'D: SAKIYAMA APPR: TKANEKO	2017/08/03 2017/08/04 2017/08/04	GENERAL TOLERANCES (UNLESS SPECIFIED) ANGULAR TOL ± 3.0 °	DIMENSION UNITS: MM SCALE: 10:1		
	4 PLACES ± 0.2 3 PLACES ± 0.2 2 PLACES ± 0.2 1 PLACE ± 0.2 0 PLACES ± 0.2	DRAFT WHERE APPLICABLE MUST REMAIN WITHIN DIMENSIONS	DRWN BY: QHE31 DATE: 2017/08/03		CHK'D BY: SAKIYAMA DATE: 2017/08/04
	DRAWING SIZE: A3 THIRD ANGLE PROJECTION	APPR BY: TKANEKO DATE: 2017/08/04	SERIES: 501331 MATERIAL NUMBER: SEE TABLE OF SHEET 1		CUSTOMER:
	PRODUCT CUSTOMER DRAWING	DOCUMENT NUMBER: 5013310612-SD DOC TYPE: PSD DOC PART: 000 SHEET NUMBER: 3 OF 3			