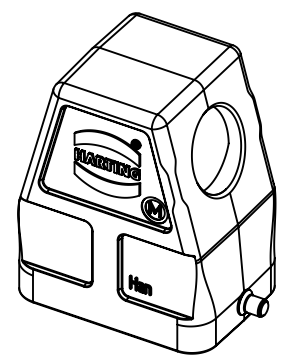
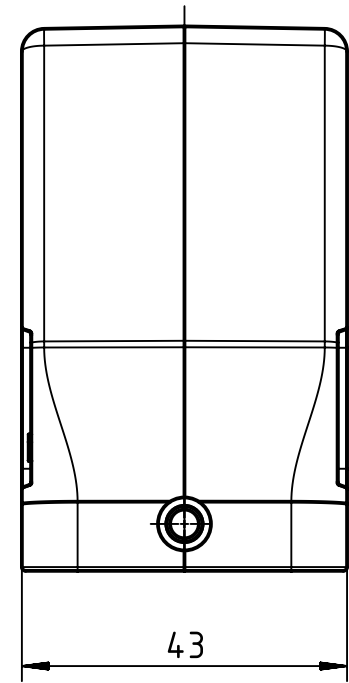
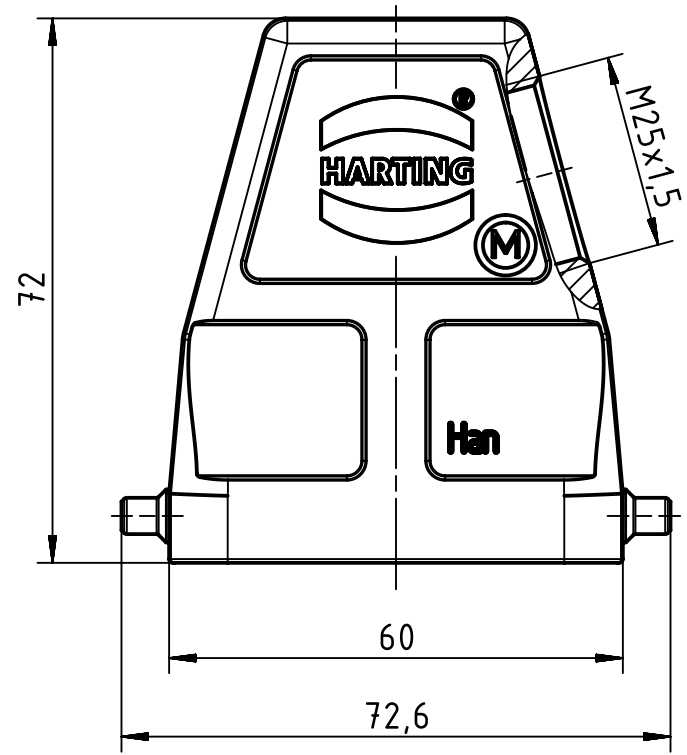


1 2 3 4 5 6

A
B
C
D



	All Dimensions in mm Original Size DIN A4		Scale 1:1	Free size tol.		Ref.	
						Sub.	
	All rights reserved Department EL PD - DE		Created by SCHULZI	Inspected by MOOR	Standardisation TIEMANNA	Date 2014-10-29	State Final Release
	HARTING Electric GmbH & Co. KG D-32339 Espelkamp		Title Han 6EMC/B-HSE-M25 (HT)			Doc-Key / ECM-Nr. 100111471/UGD/006/A 500000081229	
			Type TB	Number 19 62 806 0546		Rev. A	Page 1/1

Mouser Electronics

Authorized Distributor

Click to View Pricing, Inventory, Delivery & Lifecycle Information:

[HARTING:](#)

[19628060546](#)