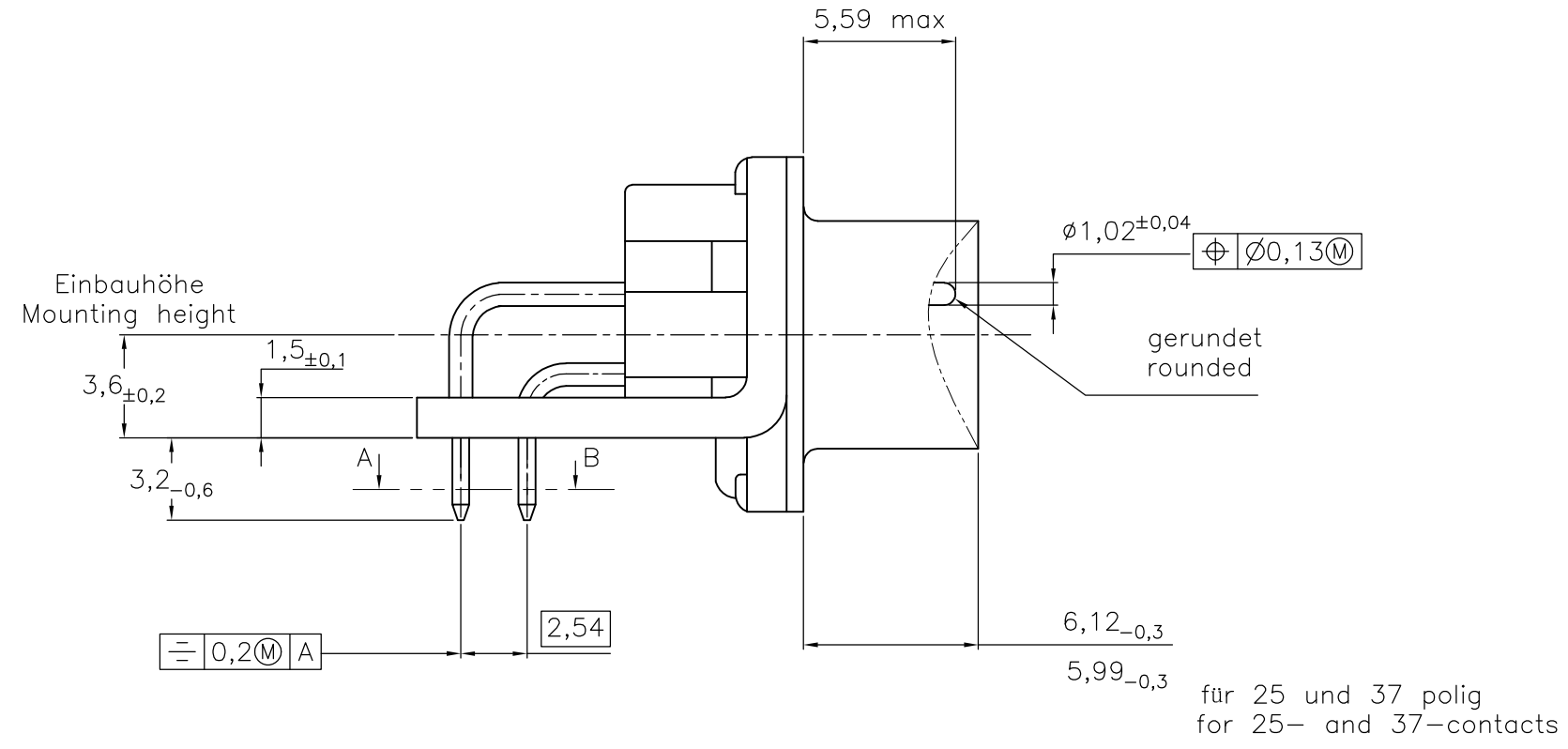
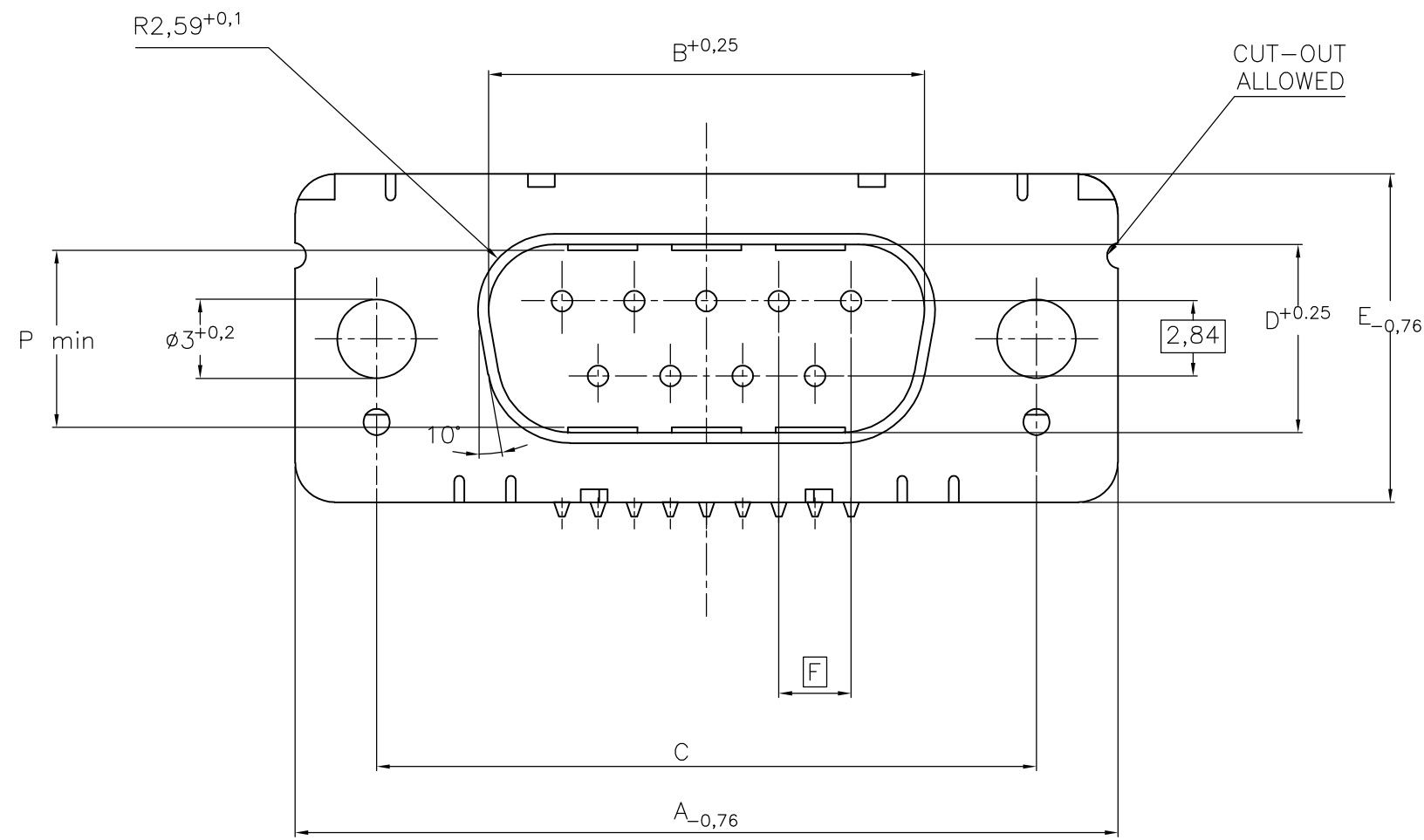


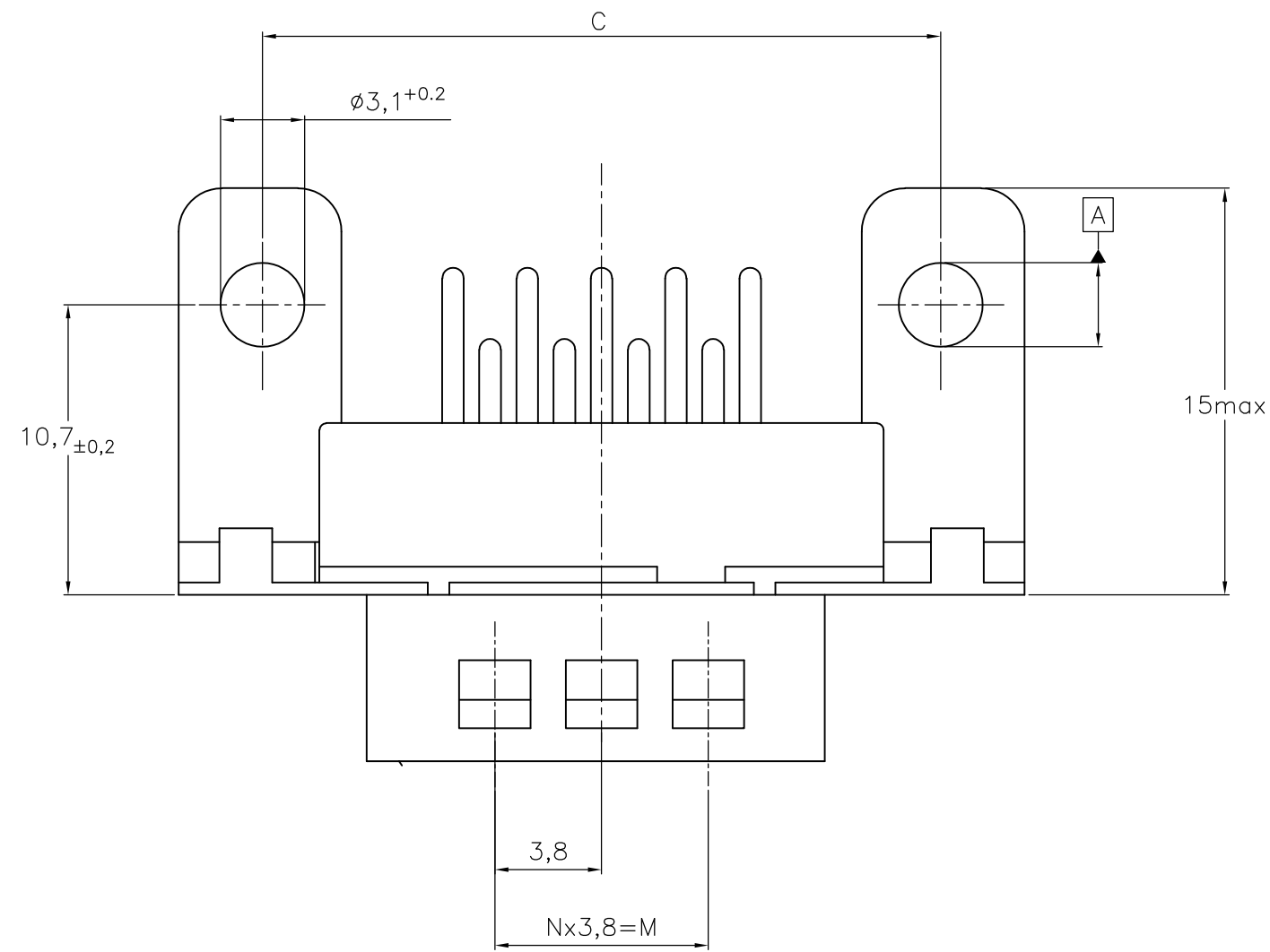
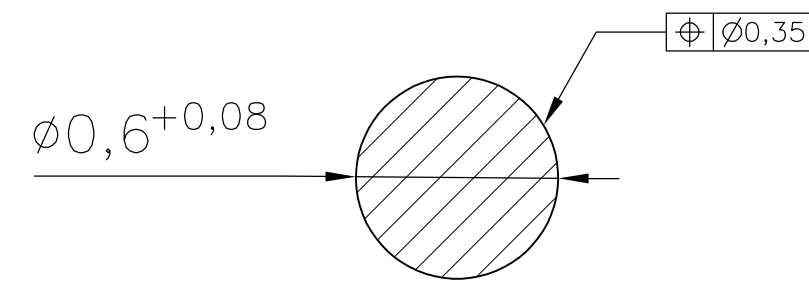
THIS DRAWING IS UNPUBLISHED. RELEASED FOR PUBLICATION
 © COPYRIGHT - By - ALL RIGHTS RESERVED.

REVISIONS					
P	LTR	DESCRIPTION	DATE	DWN	APVD
G		REVISED PER ECO-16-011203	25AUG2016	AP	DG

Standardausführung: V23529-Bx121-Cxxx-+
 Standardversion



Schnitt AB des Lötanschlusses
 Cross-section AB of solderpin
 (20:1)



Ordercode Sachnr	Contacts Polzahl	Mass/Dimension									
		A	B	C	D	E	F	M	N	P	
..-Cx09-+	09	31,19	16,79	25,0 +0,12 -0,13	8,23	12,93	2,74	7,6	2	7,72	
..-Cx15-+	15	39,52	25,12	33,3 +0,15 -0,1	8,23	12,93	2,74	15,2	4	7,69	
..-Cx25-+	25	53,42	38,84	47,04 +0,13 -0,13	8,23	12,93	2,76	26,6	7	7,65	
..-Cx37-+	37	69,7	55,30	63,5 +0,13 -0,13	8,23	12,93	2,76	41,8	11	7,65	

1) Anforderungsstufe/Performance level

OLD PN: V23529-B****-C***-*-7427

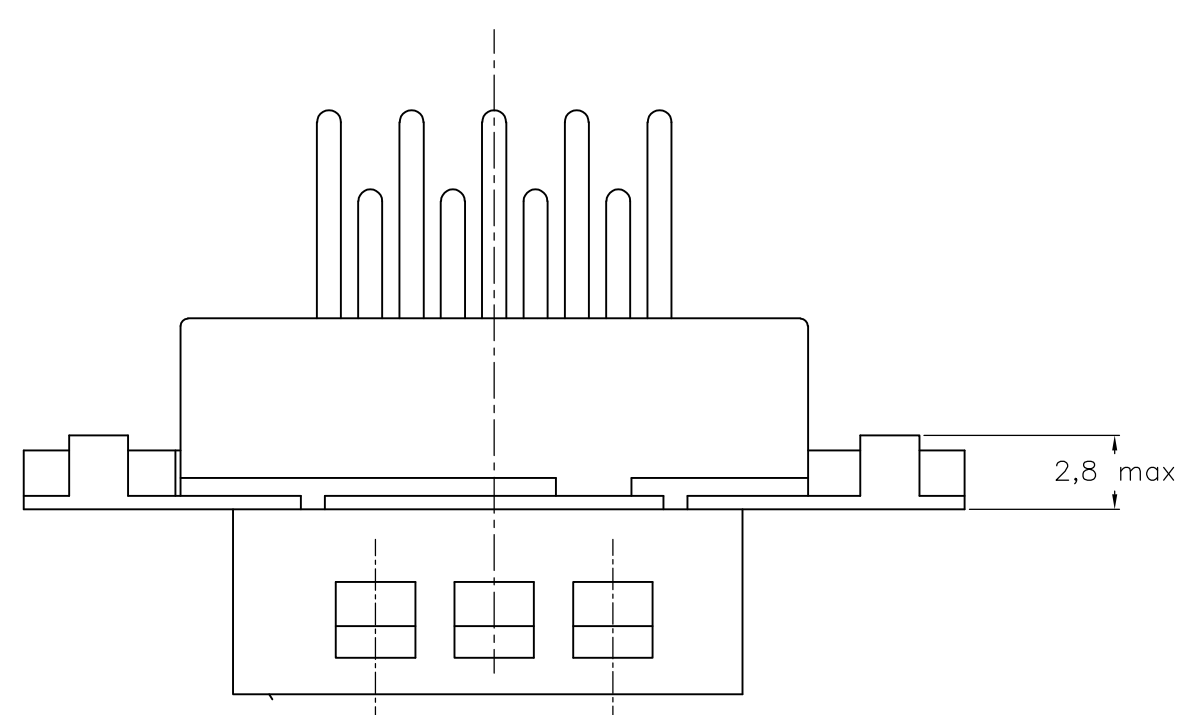
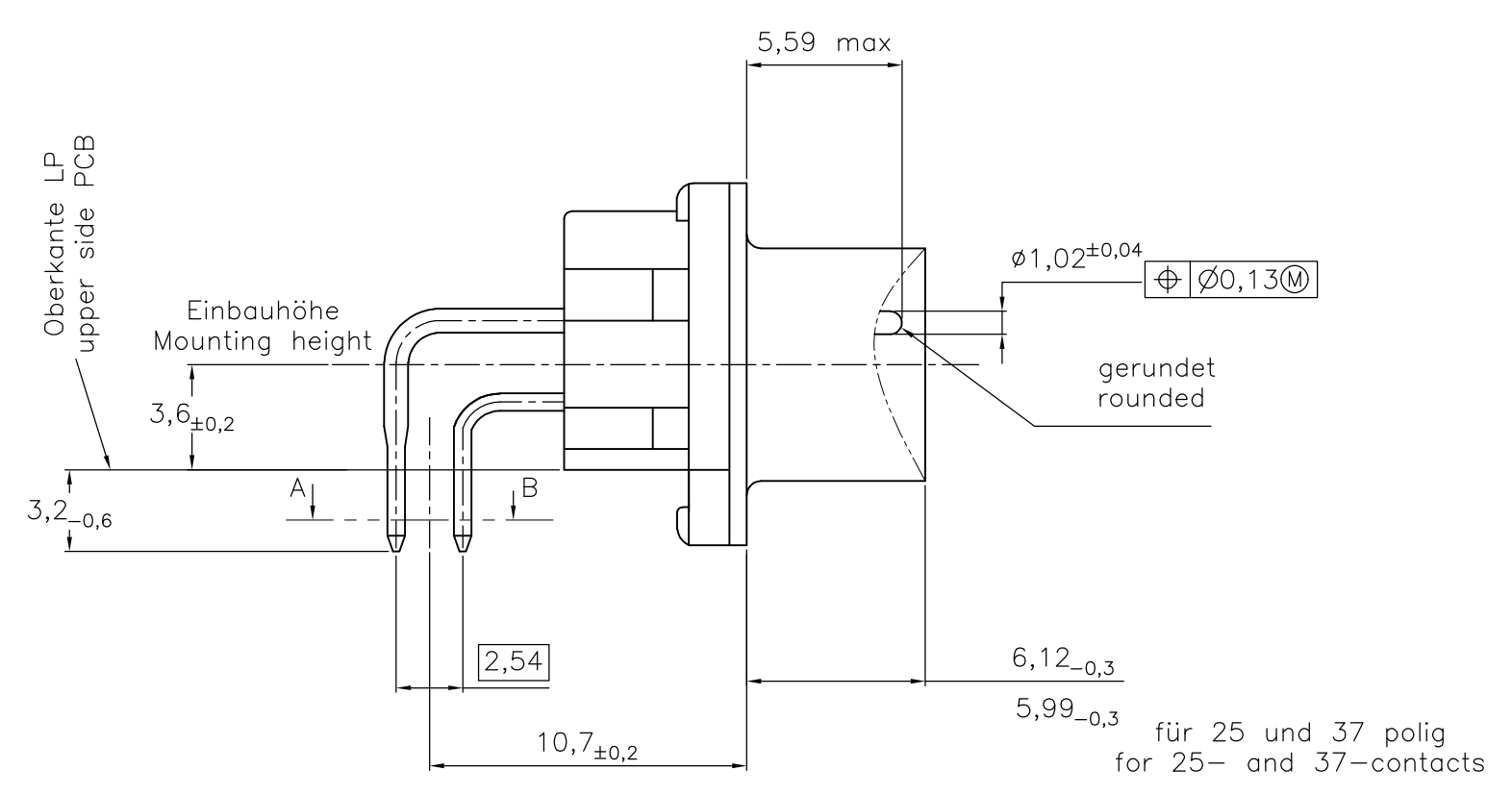
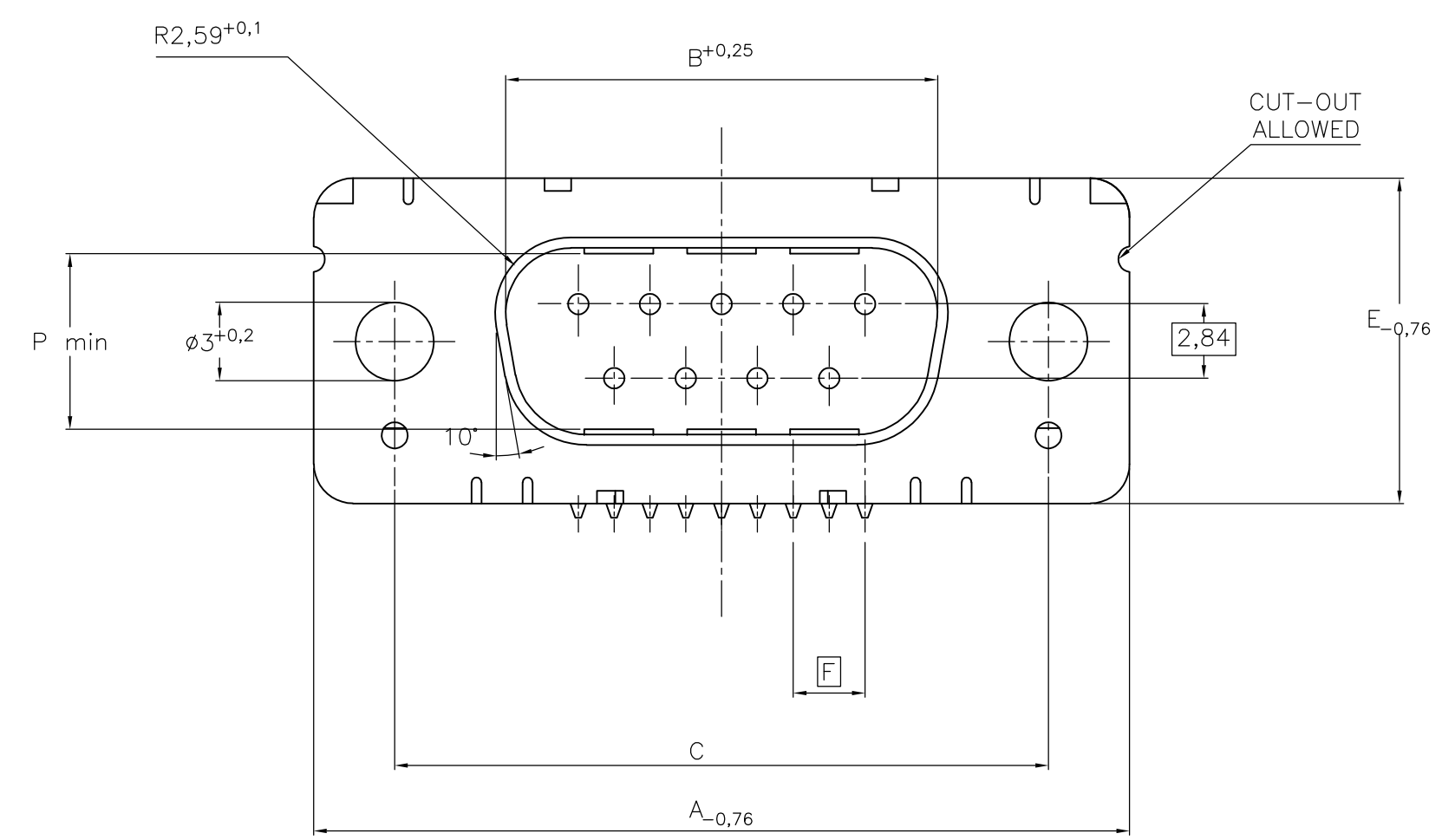
1) nach DIN 41652 T.2 und T.4
 according to DIN 41652 T.2 and T.4

THIS DRAWING IS A CONTROLLED DOCUMENT. DIMENSIONING AND TOLERANCING PER ASME Y14.5M-2009		DWN GNANI JADAV A E	07JAN10	TE Connectivity	
DIMENSIONS: mm		CHK K.MALCZYK			
TOLERANCES UNLESS OTHERWISE SPECIFIED:		APVD K.MALCZYK		NAME Sub-D 90° Lötansführung Stiftleiste Einbauhöhe 3,6 mm D-Sub 90°solder version Pin connector mounting height 3,6 mm	
0 PLC ± - 1 PLC ± - 2 PLC ± - 3 PLC ± - 4 PLC ± - ANGLES ± -		PRODUCT SPEC		SIZE	RESTRICTED TO
MATERIAL	FINISH	APPLICATION SPEC		CAGE CODE	
		WEIGHT	0	DRAWING NO	
		CUSTOMER DRAWING		SCALE	
				00779	
				2-1393480-1	
				SCALE	
				2:1	
				SHEET	
				1 of 6	
				REV	
				G	

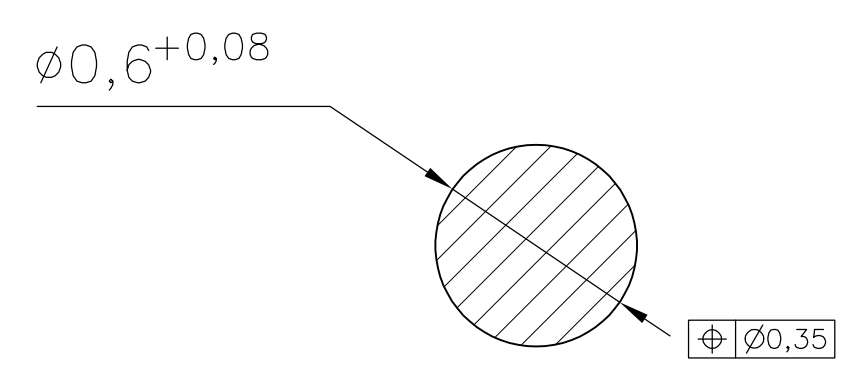
THIS DRAWING IS UNPUBLISHED. RELEASED FOR PUBLICATION
 © COPYRIGHT - By - ALL RIGHTS RESERVED.

REVISIONS				
P	LTR	DESCRIPTION	DATE	APVD
-	-	SEE SHEET 1	-	-

Standardausführung ohne Winkel: V23529-B50x1-Cxxx-+-
 Standardversion without bracket



Schnitt AB des Lötanschlusses
 Cross-section AB of solderpin (20:1)



Ordercode Sachnr	Contacts Polzahl	Mass/Dimension									
		A	B	C	D	E	F	M	N	P	
..-Cx09-+	09	31,19	16,79	25,0 ^{+0,12} _{-0,13}	8,23	12,93	2,74	7,6	2	7,72	
..-Cx15-+	15	39,52	25,12	33,3 ^{+0,15} _{-0,1}	8,23	12,93	2,74	15,2	4	7,69	
..-Cx25-+	25	53,42	38,84	47,04 ^{+0,13} _{-0,13}	8,23	12,93	2,76	26,6	7	7,65	
..-Cx37-+	37	69,7	55,30	63,5 ^{+0,13} _{-0,13}	8,23	12,93	2,76	41,8	11	7,65	

Anforderungsstufe/Performance level 1)

OLD PN: V23529-B****-C***-*-7427

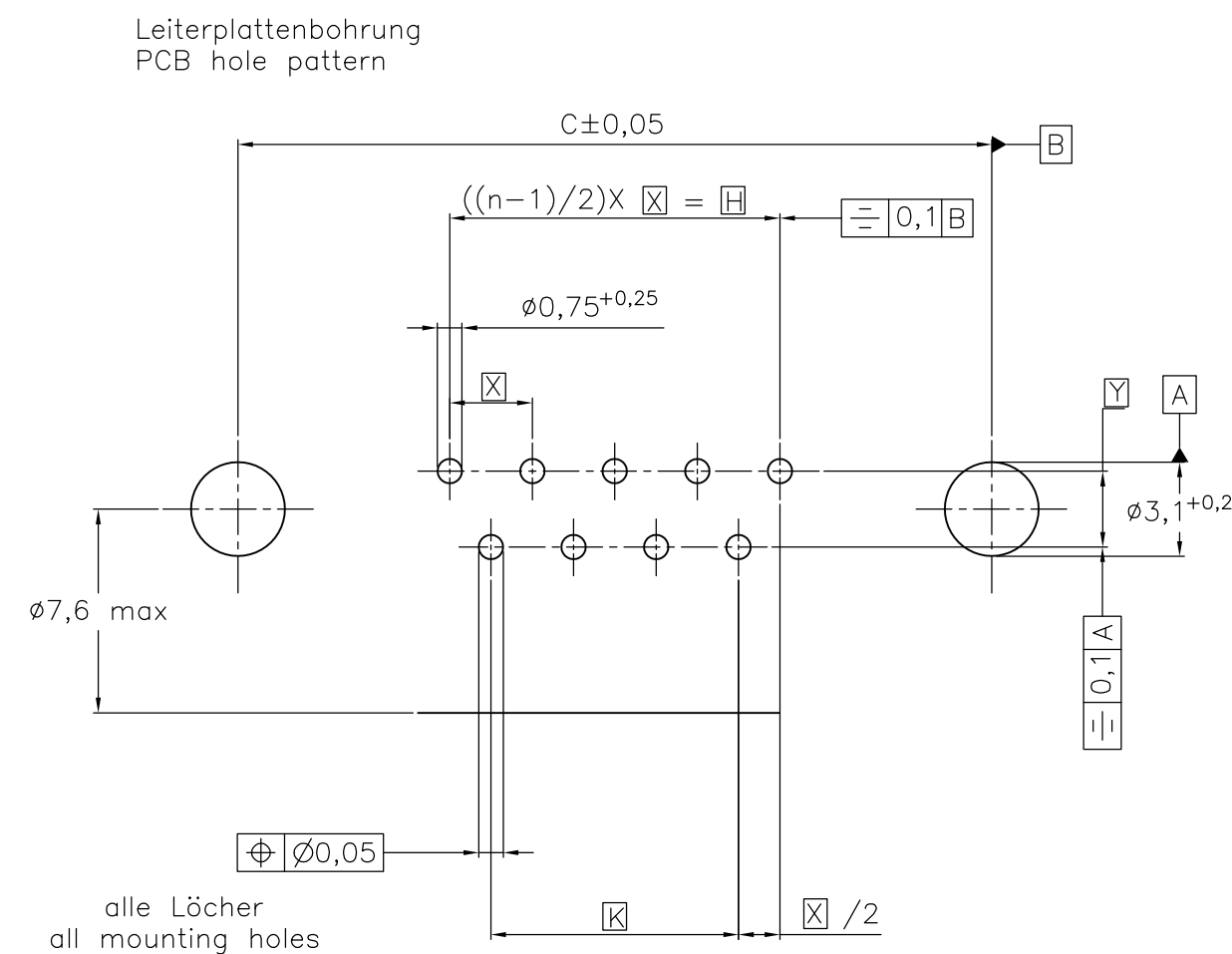
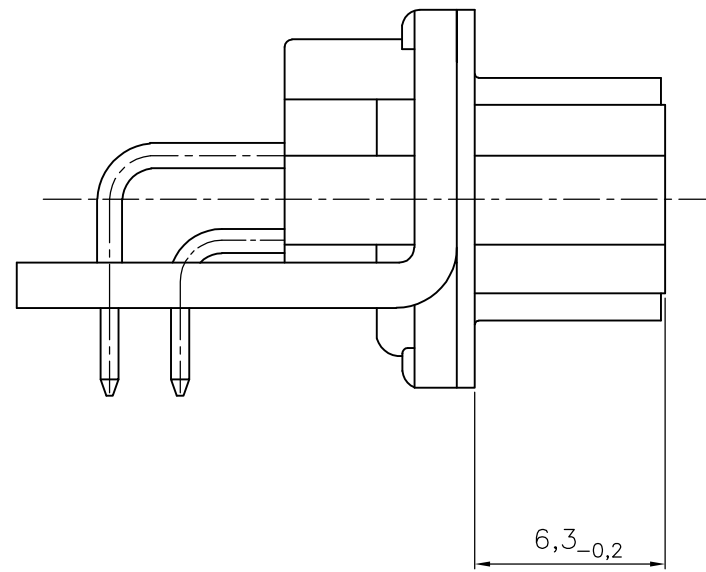
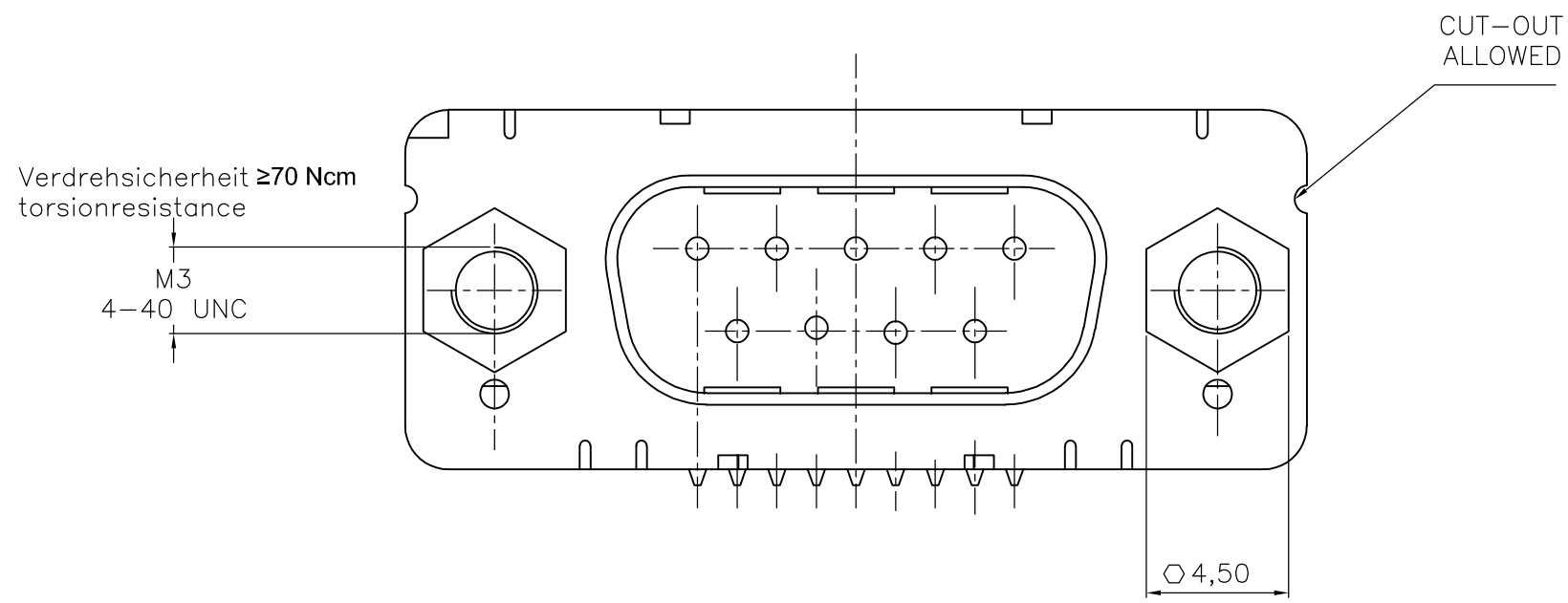
1) nach DIN 41652 T.2 und T.4
 according to DIN 41652 T.2 and T.4

THIS DRAWING IS A CONTROLLED DOCUMENT. DIMENSIONING AND TOLERANCING PER ASME Y14.5M-2009		DWN GNANI JADAV A E 07JAN10	TE Connectivity	
DIMENSIONS: mm		CHK K.MALCZYK		
TOLERANCES UNLESS OTHERWISE SPECIFIED:		APVD K.MALCZYK	PRODUCT SPEC	Sub-D 90° Lötanschluss Stiftleiste Einbauhöhe 3,6 mm D-Sub 90° solder version Pin connector mounting height 3,6 mm
0 PLC ± - 1 PLC ± - 2 PLC ± - 3 PLC ± - 4 PLC ± - ANGLES ± - FINISH		APPLICATION SPEC	RESTRICTED TO	
MATERIAL		WEIGHT	SIZE A2	CAGE CODE 00779
		DRAWING NO. C-2-1393480-1		SCALE 2:1
		CUSTOMER DRAWING		SHEET 3 of 6
				REV G

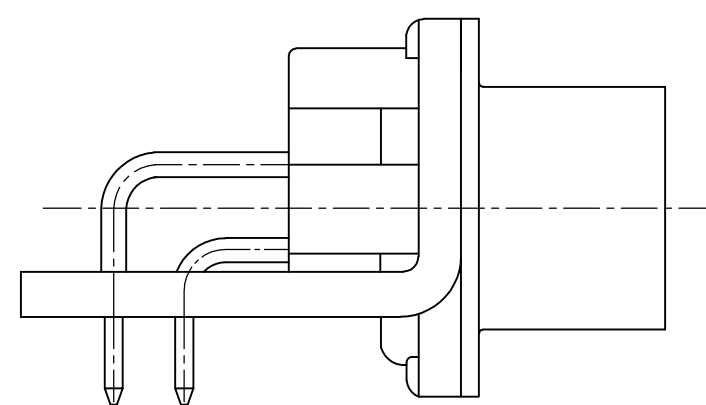
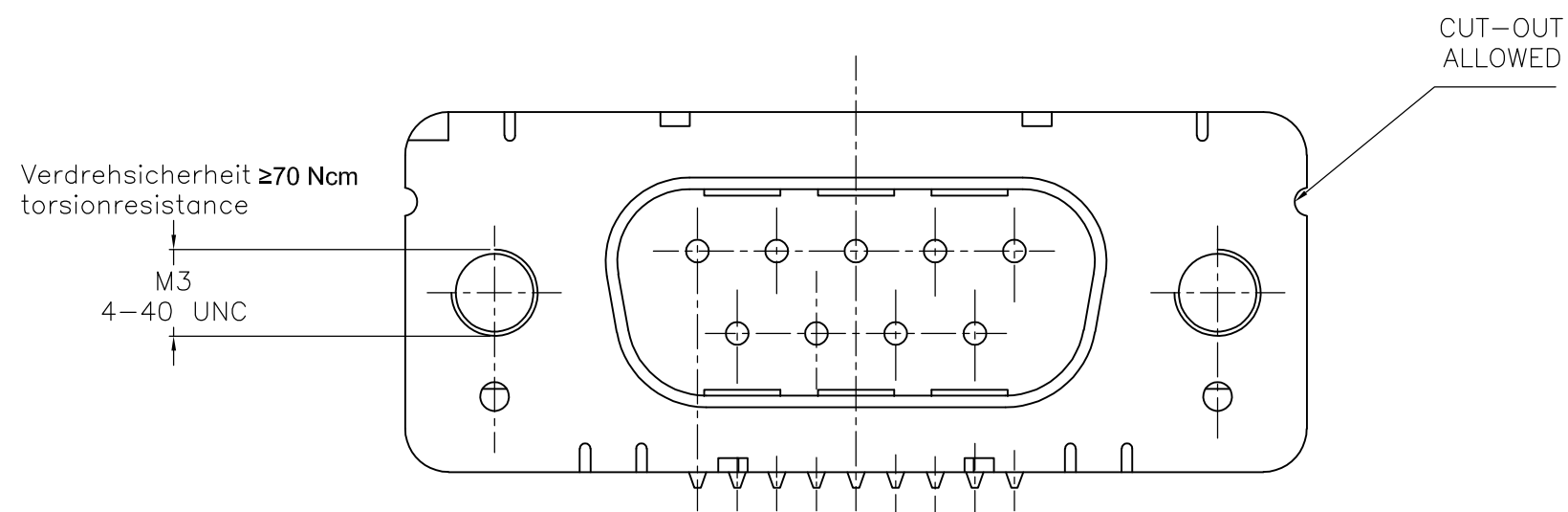
THIS DRAWING IS UNPUBLISHED. RELEASED FOR PUBLICATION
 © COPYRIGHT - By - ALL RIGHTS RESERVED.

REVISIONS					
P	LTR	DESCRIPTION	DATE	DWN	APVD
-	-	SEE SHEET 1	-	-	-

mit Gewindebolzen: M3 V23529-B50x4-Cxxx-+
 with thread lock 4-40 UNC V23529-B50x5-Cxxx-+



mit Gewinde: M3 V23529-B50x2-Cxxx-+
 with thread 4-40 UNC V23529-B50x3-Cxxx-+



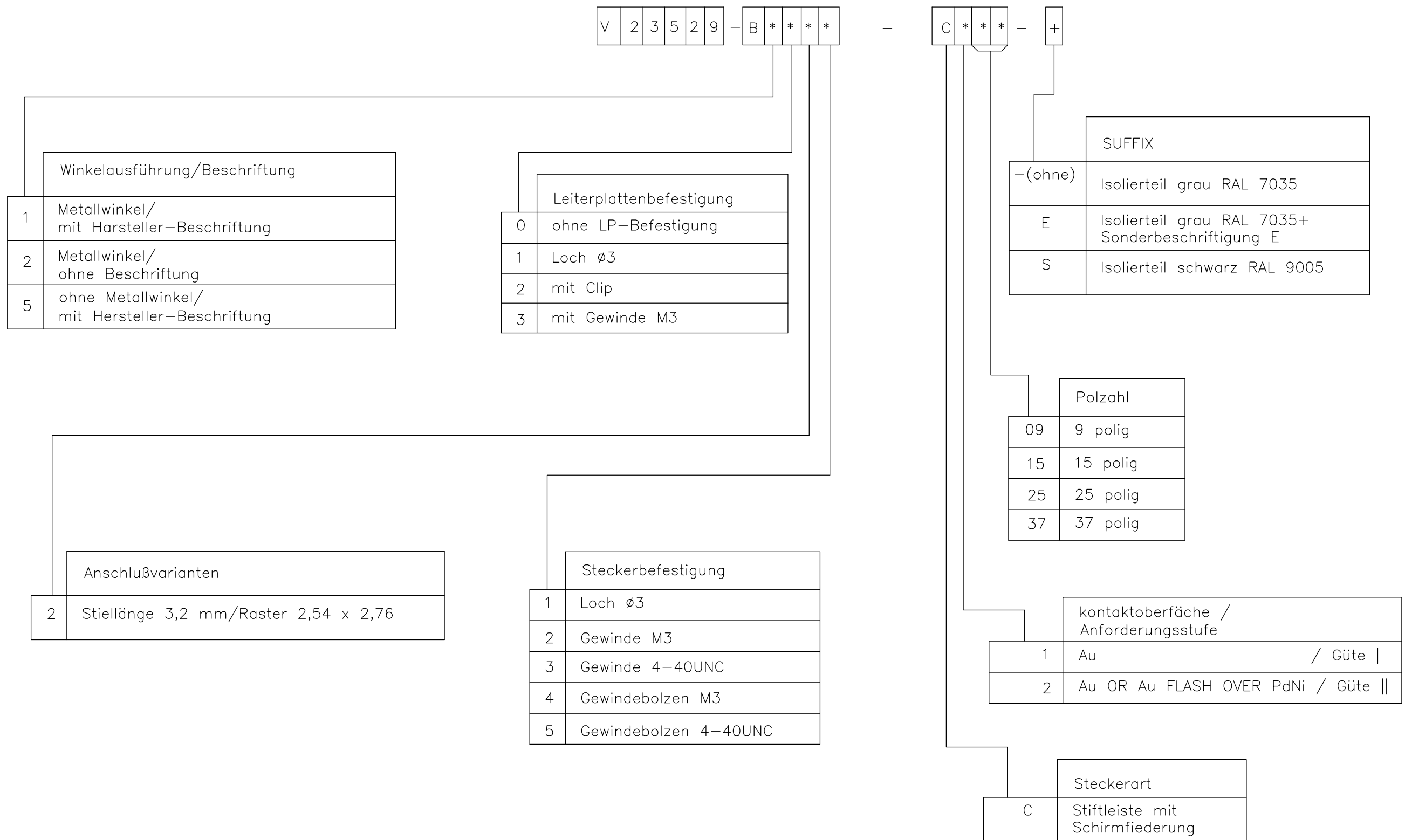
Mass Dimension	Polzahl n Number of contacts n			
	9	15	25	37
C	25	33,3	47,04	63,5
H	10,96	19,18	33,12	49,68
K	8,22	16,44	30,36	46,92
X	2,74	2,74	2,76	2,76
Y	2,54			

1) nach DIN 41652 T,2 UND T,4
 according to DIN 41652 p,2 AND p,4

OLD PN: V23529-B****-C***-*-7427

THIS DRAWING IS A CONTROLLED DOCUMENT. DIMENSIONING AND TOLERANCING PER ASME Y14.5M-2009		DWN 07JAN10 GNANI JADAV A E		
DIMENSIONS: mm		CHK K.MALCZYK		
TOLERANCES UNLESS OTHERWISE SPECIFIED:		APVD K.MALCZYK	Sub-D 90° Löt Ausführung Stiftleiste	
0 PLC ± -		PRODUCT SPEC	Einbauhöhe 3,6 mm	
1 PLC ± -		APPLICATION SPEC	D-Sub 90° solder version Pinconnector	
2 PLC ± -		WEIGHT	SIZE A2	RESTRICTED TO
3 PLC ± -		CUSTOMER DRAWING	CAGE CODE 00779	DRAWING NO C=2-1393480-1
4 PLC ± -		FINISH	SCALE 2:1	SHEET 4 of 6
ANGLES ± -			REV G	

REVISIONS				
P	LTR	DESCRIPTION	DATE	APVD
-	-	SEE SHEET 1	-	-



1) nach DIN 41652 T.2 und T.4
 according to DIN 41652 p.2 and p.4

OLD PN: V23529-B****-C***-*-7427

THIS DRAWING IS A CONTROLLED DOCUMENT. DIMENSIONING AND TOLERANCING PER ASME Y14.5M-2009		DWN: GNANI JADAV A E CHK: K.MALCZYK APVD: K.MALCZYK	07JAN10		 TE Connectivity
DIMENSIONS: mm 		TOLERANCES UNLESS OTHERWISE SPECIFIED: 0 PLC ± - 1 PLC ± - 2 PLC ± - 3 PLC ± - 4 PLC ± - ANGLES ± -		NAME: K.MALCZYK	
MATERIAL: -	FINISH: -	WEIGHT: -	SCALE: A2	CAGE CODE: 00779	DRAWING NO: C=2-1393480-1
CUSTOMER DRAWING			SCALE: 2:1	SHEET: 5 of 6	REV: G

THIS DRAWING IS UNPUBLISHED. RELEASED FOR PUBLICATION
 © COPYRIGHT - By - ALL RIGHTS RESERVED.

REVISIONS				
P	LTR	DESCRIPTION	DATE	APVD
-	-	SEE SHEET 1	-	-


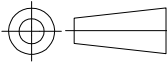
Active part numbers. Contact TE CONNECTIVITY for other configuration availability

Old Part Number	TE CONNECTIVITY Part Number
V23529-B1121-C209	2-1393480-1
V23529-B1121-C215	2-1393480-2
V23529-B1121-C225	2-1393480-3
V23529-B1121-C237	2-1393480-4
V23529-B1122-C209	3-1393480-2
V23529-B1122-C215	3-1393480-3
V23529-B1122-C225	2-1392010-8
V23529-B1122-C237	3-1392010-6
V23529-B1123-C209	4-1393480-0
V23529-B1123-C215	4-1393480-1
V23529-B1123-C225	4-1393480-2
V23529-B1123-C237	4-1393480-3
V23529-B1125-C125	5-1393480-1
V23529-B1125-C209	5-1393480-2
V23529-B1125-C215	5-1393480-3
V23529-B1125-C225	5-1393480-4
V23529-B1125-C237	3-1392010-5
V23529-B1221-C109	5-1393480-8
V23529-B1221-C209	5-1393480-9

Old Part Number	TE CONNECTIVITY Part Number	
V23529-B1221-C215	6-1393480-0	
V23529-B1222-C209	7-1393480-4	OBSOLETE
V23529-B1222-C215	7-1393480-5	OBSOLETE
V23529-B1222-C225	7-1393480-6	OBSOLETE
V23529-B1222-C237	7-1393480-7	OBSOLETE
V23529-B1223-C209	8-1393480-5	
V23529-B1223-C215	8-1393480-6	
V23529-B1223-C225	8-1393480-7	
V23529-B1223-C237	8-1393480-8	
V23529-B1224-C209	9-1393480-4	
V23529-B1224-C215	9-1393480-5	
V23529-B1224-C225	9-1393480-6	
V23529-B1225-C109	1393481-4	
V23529-B1225-C209	1393481-5	
V23529-B1225-C215	3-1392010-3	
V23529-B1225-C225	1393481-6	2173194-1 OBSOLETE
V23529-B1225-C237	3-1392010-4	
V23529-B2121-C209	1-1393481-0	
V23529-B2221-C209	1-1393481-2	

1) nach DIN 41652 T.2 und T.4
 according to DIN 41652 p.2 and p.4

OLD PN: V23529-B****-C***-*-7427

THIS DRAWING IS A CONTROLLED DOCUMENT. DIMENSIONING AND TOLERANCING PER ASME Y14.5M-2009		DWN 07JAN10 GNANI JADAV A E	 TE Connectivity	
DIMENSIONS: mm		CHK K.MALCZYK		
		APVD K.MALCZYK	NAME Sub-D 90° LötAusführung Stifteleiste Einbauhöhe 3,6 mm D-Sub 90°solder version Pin connector mounting height 3,6 mm	
TOLERANCES UNLESS OTHERWISE SPECIFIED: 0 PLC ± - 1 PLC ± - 2 PLC ± - 3 PLC ± - 4 PLC ± - ANGLES ± -		PRODUCT SPEC -	SIZE A2	
MATERIAL -		APPLICATION SPEC -	CAGE CODE 00779	DRAWING NO C=2-1393480-1
FINISH -		WEIGHT -	RESTRICTED TO -	
		CUSTOMER DRAWING		SCALE 2:1 SHEET 6 of 6 REV G

Mouser Electronics

Authorized Distributor

Click to View Pricing, Inventory, Delivery & Lifecycle Information:

[TE Connectivity:](#)

[2-1393480-1](#)