

PART NAME

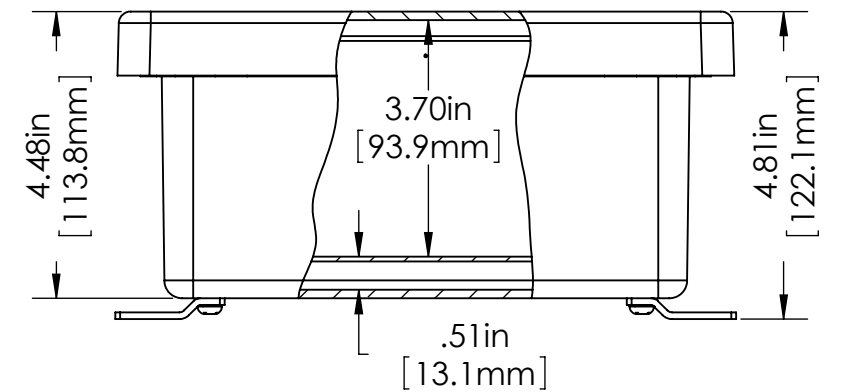
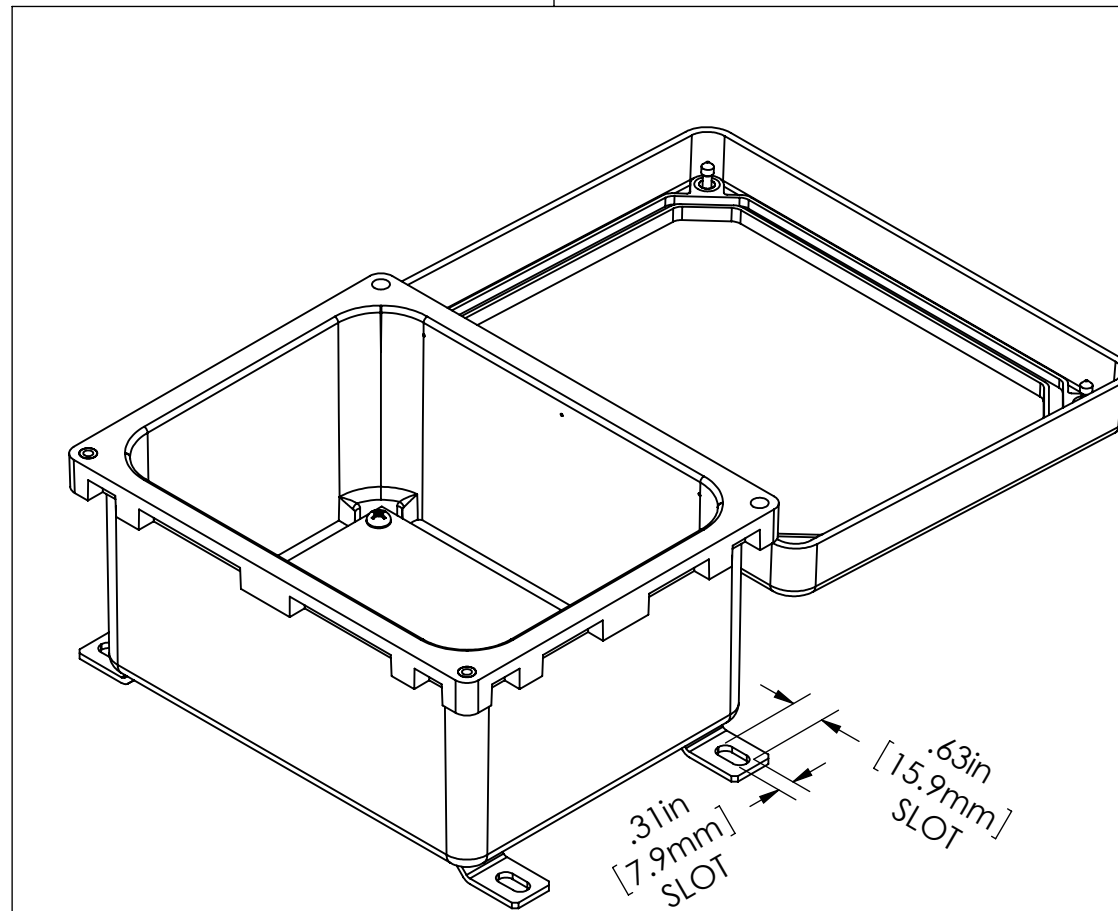
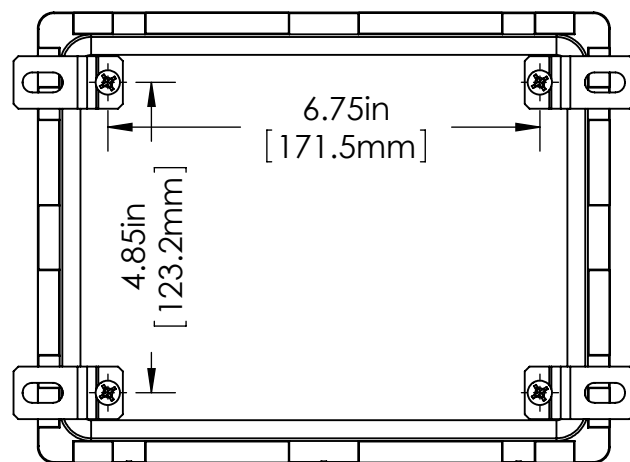
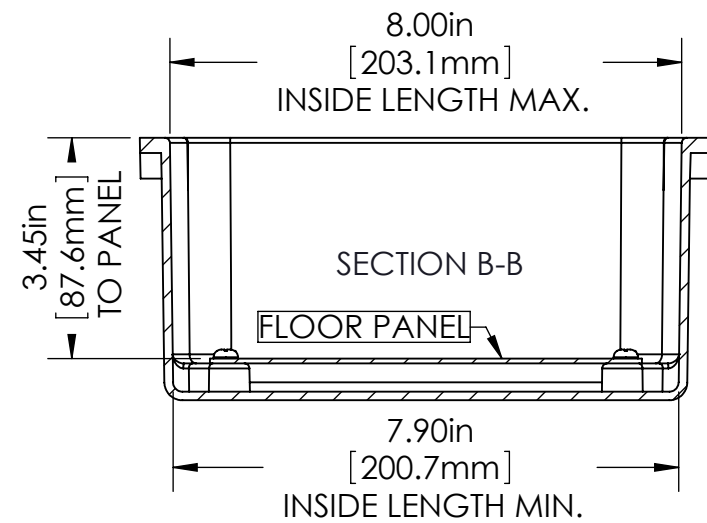
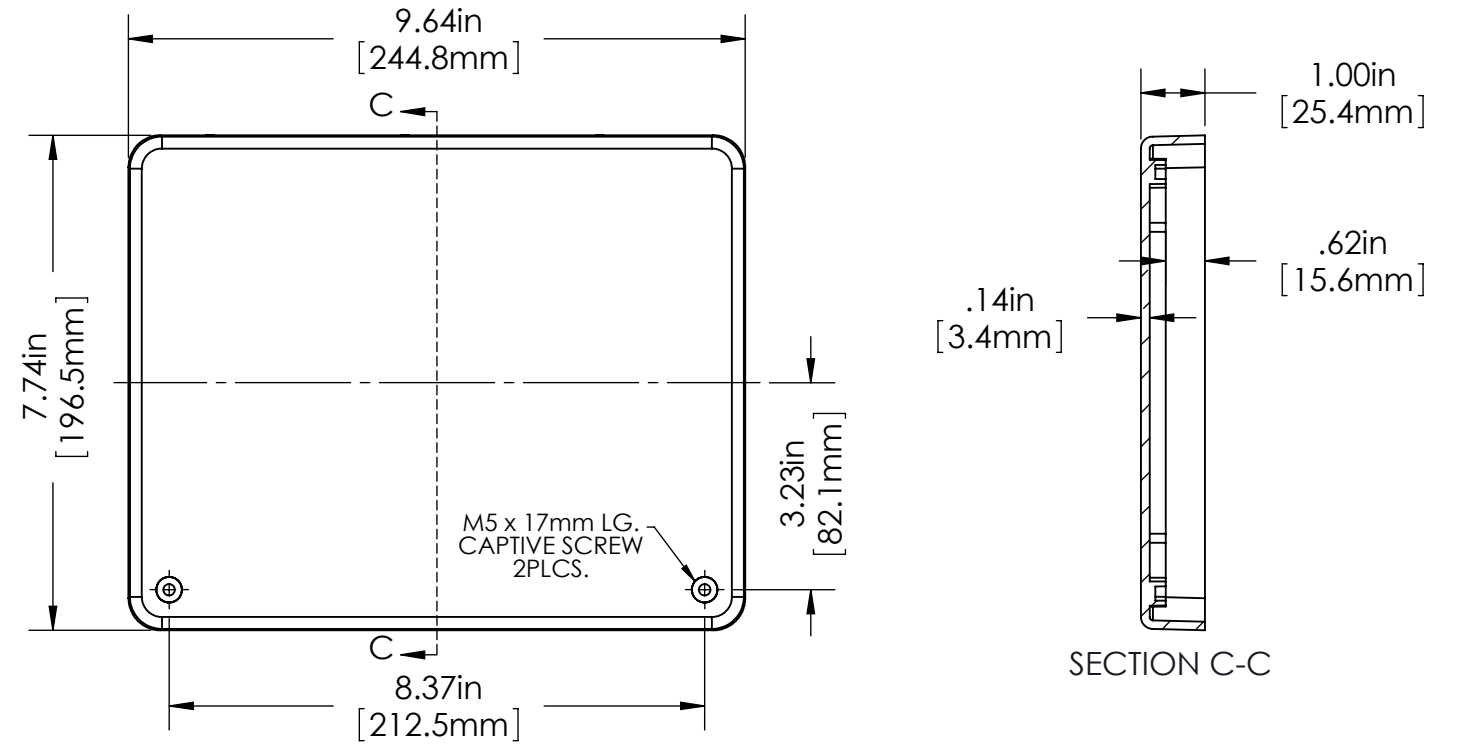
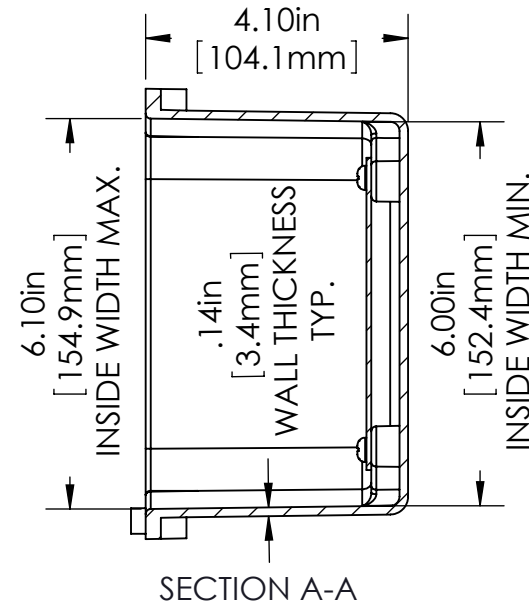
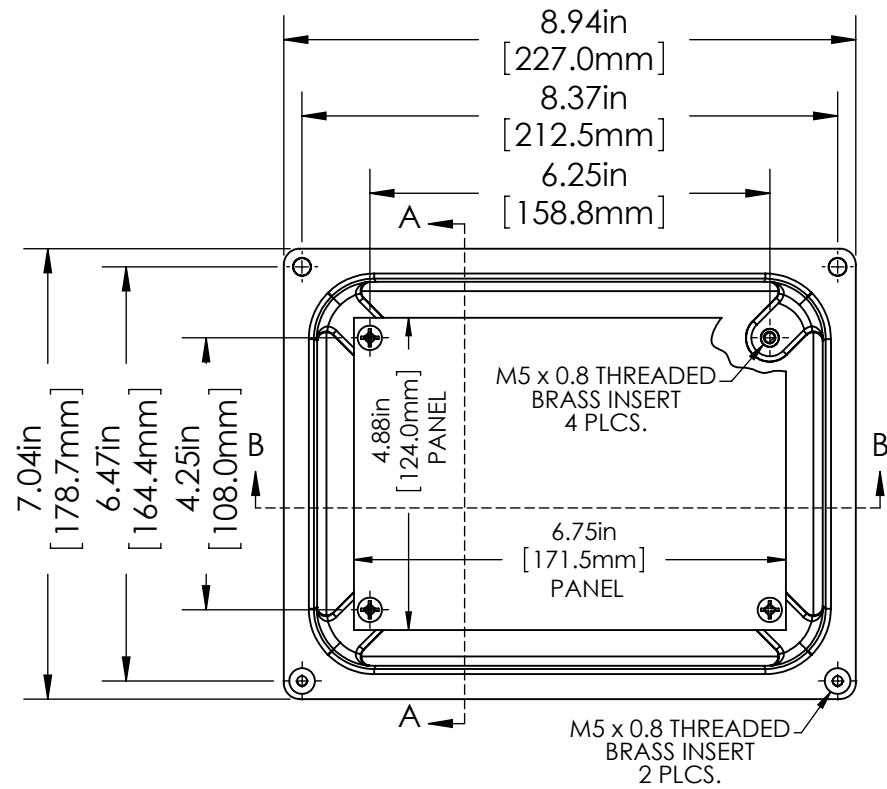
FIBERGLASS NEMA BOX

PART No.

NF-6611

REVISION DATE

8/10/2010



NOTE:
WALL MOUNTING BRACKETS AND
SCREWS SUPPLIED - UNASSEMBLED.

TOLERANCES: ±.02" (0.5mm) [UNLESS OTHERWISE SPECIFIED]

MATERIAL:
BODY & COVER - FIBERGLASS REINFORCED POLYESTER (SMC)
PANEL - 14 GA. (2mm) THK. COLD ROLLED STEEL
MOUNTING BRACKETS - 12 GA. (2.5mm) 304 STAINLESS STEEL
HINGE - 18 GA. (1.2mm) THK. 304 STAINLESS STEEL
GASKET - SILICONE SPONGE

FINISH:
BODY & COVER - LIGHT GREY
PANEL - WHITE POLYESTER POWDER COAT
MOUNTING BRACKETS & HINGE - NATURAL

Mouser Electronics

Authorized Distributor

Click to View Pricing, Inventory, Delivery & Lifecycle Information:

[Bud Industries:](#)

[NF-6614](#) [NF-6613](#) [NF-6611](#) [NF-6610](#)