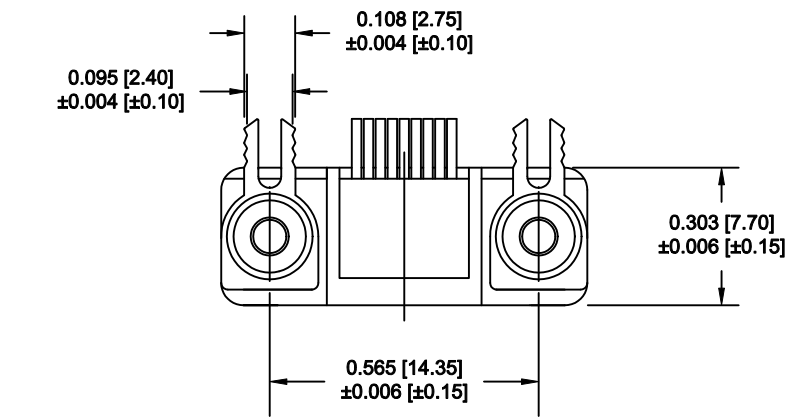
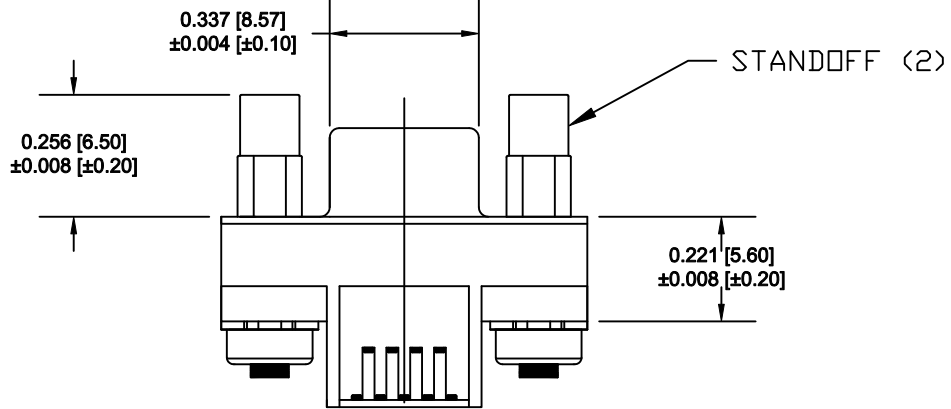
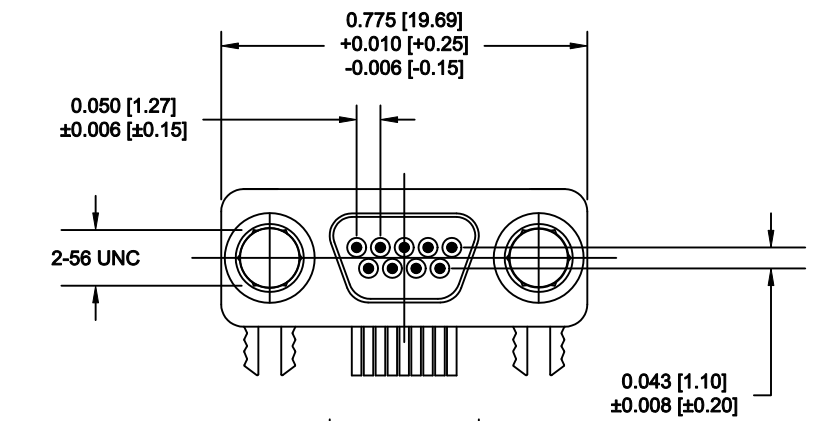


DESCRIPTION: MICRO D-SUB CONNECTOR - MALE - RIGHT ANGLE



ELECTRICAL

CONTACT CURRENT RATING: 1 AMP
 DIELECTRIC WITHSTANDING VOLTAGE: 500 VAC
 INSULATION RESISTANCE: 1000 MOhms
 CONTACT RESISTANCE: 45 MILLI Ohms MAX.
 OPERATING TEMPERATURE: -55°C TO +85°C

MATERIALS

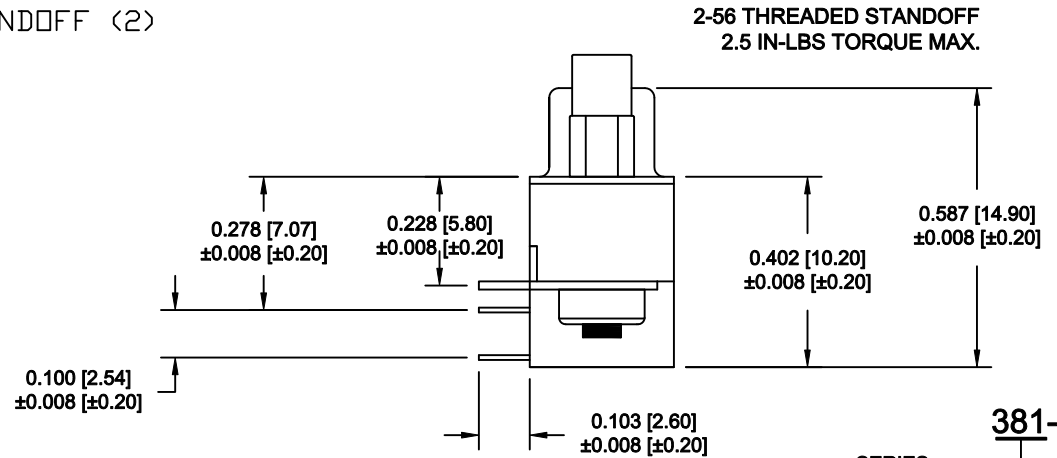
CONTACTS: COPPER ALLOY
 INSULATOR: THERMOPLASTIC 94V-0
 SHELL: COLD ROLLER STEEL

FINISHES

CONTACT: 15 μ" MIN. GOLD ON MATING END
 TIN ON TERMINATION END
 ALL UNDERPLATING NICKEL
 SHELL: BRIGHT TIN OVER COPPER

HARDWARE

2-56 THREADED STANDOFF
 2.5 IN-LBS TORQUE MAX.



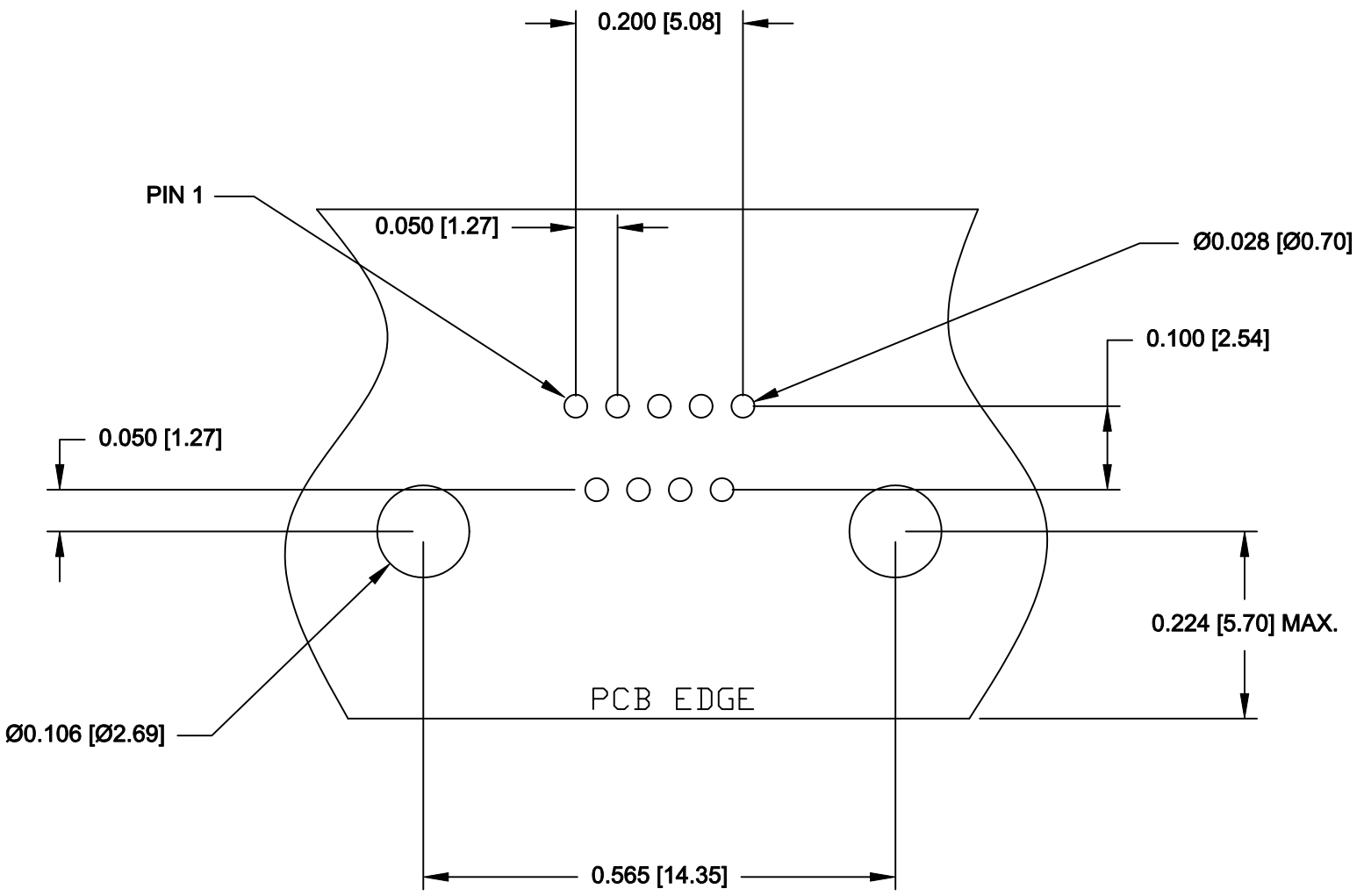
381-009-112L5Y5

SERIES
 POSITIONS
 GENDER
 1 = MALE
 TERMINATION
 1 = DIP SOLDER
 SHELL PLATING
 2 = TIN
 RoHS COMPLIANT
 HARDWARE OPTIONS
 1 = BOARDLOCKS ONLY
 6 = STANDOFFS & BOARDLOCKS
 PLATING OPTIONS
 5 = 15u" GOLD PLATING

DO NOT SCALE FROM DRAWING


	THESE DRAWINGS AND SPECIFICATIONS ARE THE PROPERTY OF NorComp AND SHALL NOT BE REPRODUCED, COPIED OR USED AS THE BASIS FOR THE MANUFACTURE OF SALE OF APPARATUS WITHOUT WRITTEN PERMISSION.		DRAWN: M. SIGMON	DATE: 08-18-11
			CHECKED:	DATE:
<h1>NorComp</h1>		SCALE: 2.5 : 1	SHEET 1 OF 2	REV 3
		DWG NO. 381-009-112L565		

RoHS COMPLIANT



RECOMMENDED PC BOARD LAYOUT
(9 POSITION ONLY) TOLERANCE ±0.002 [±0.05]

DO NOT SCALE FROM DRAWING

	THESE DRAWINGS AND SPECIFICATIONS ARE THE PROPERTY OF NorComp AND SHALL NOT BE REPRODUCED, COPIED OR USED AS THE BASIS FOR THE MANUFACTURE OF SALE OF APPARATUS WITHOUT WRITTEN PERMISSION.		DRAWN: M. SIGMON	DATE: 08-18-11
			CHECKED:	DATE:
<h1>NorComp</h1>		SCALE: 5 : 1	SHEET 2 OF 2	REV 3
		DWG NO. 381-009-112L565		

RoHS COMPLIANT

Mouser Electronics

Authorized Distributor

Click to View Pricing, Inventory, Delivery & Lifecycle Information:

[NorComp:](#)

[381-009-112L565](#)