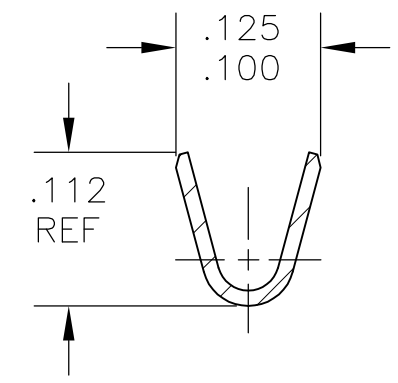
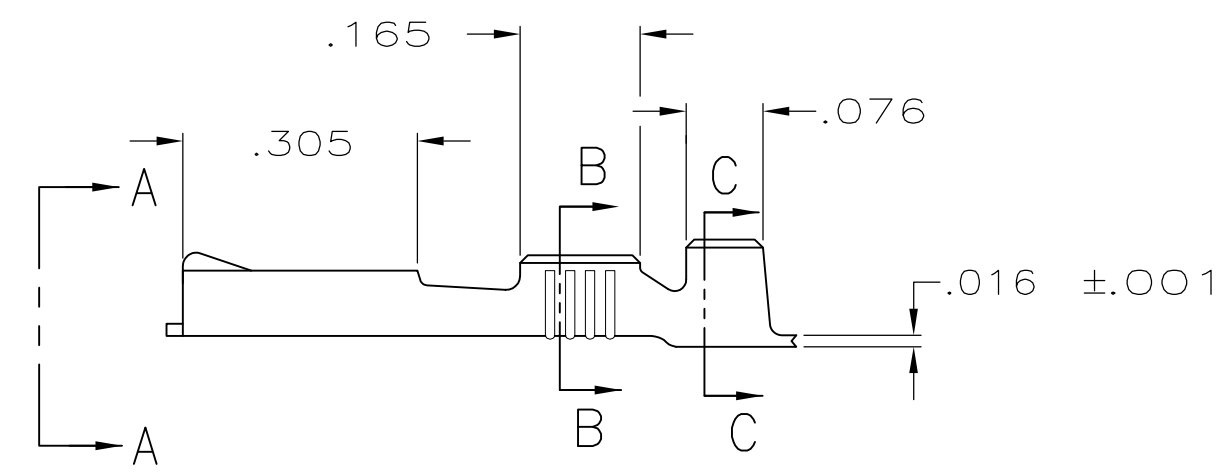
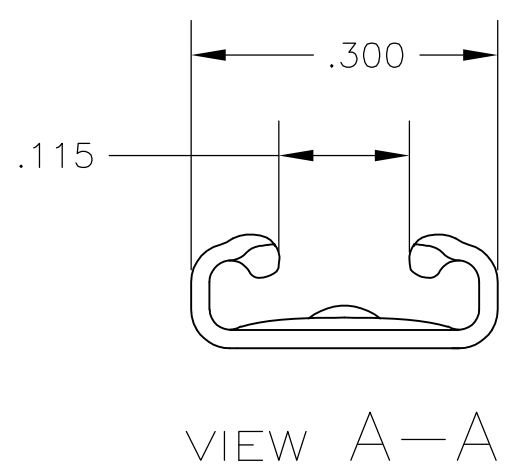
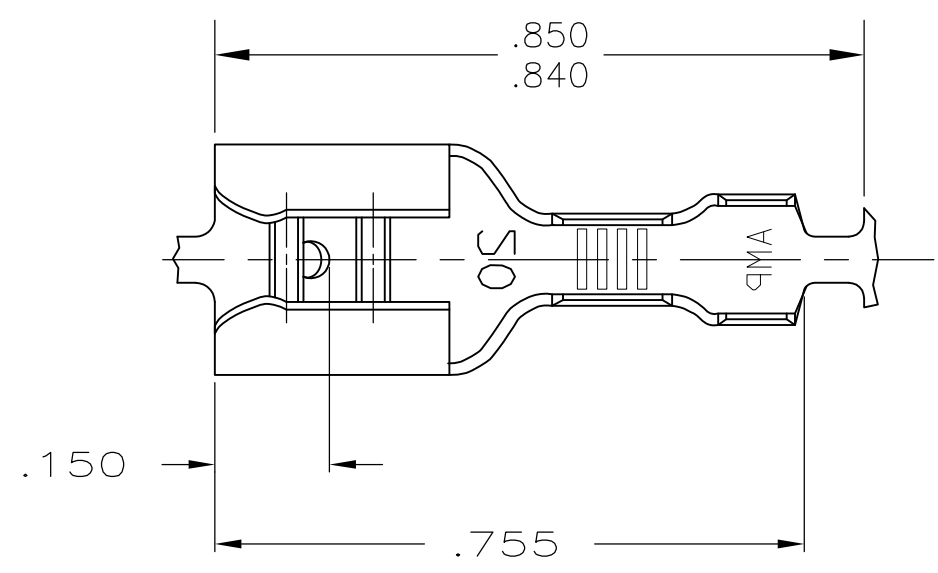


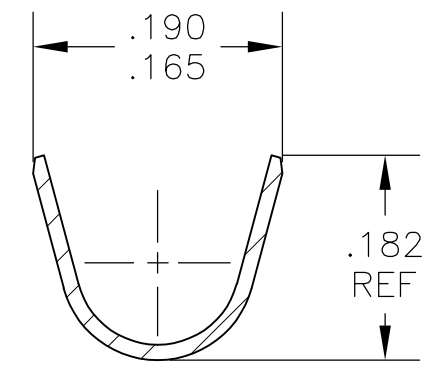
THIS DRAWING IS UNPUBLISHED. RELEASED FOR PUBLICATION
 © COPYRIGHT - By - ALL RIGHTS RESERVED.

LOC	DIST	REVISIONS			
P	LTR	DESCRIPTION	DATE	DWN	APVD
AF	50	H	REVISED PER ECR-12-013445	09NOV12	KH PD

- 1 CONTINUOUS STRIP ON REELS.
- 2 WIRE SIZE 22-18 AWG
- 3 INSULATION RANGE .090-.130 DIA
- 4 MATING TAB THK IS .032±.001



SECTION B-B



SECTION C-C

TIN	42743-2
—	42743-1
FINISH	PART NO

THIS DRAWING IS A CONTROLLED DOCUMENT.		DWN	JR RUTH	5-14-86
DIMENSIONS: INCHES		CHK	G YETTER	5-16-86
TOLERANCES UNLESS OTHERWISE SPECIFIED:		APVD	C MEYERS	5-16-86
0 PLC	± -	PRODUCT SPEC		
1 PLC	± -	APPLICATION SPEC		
2 PLC	± -	114-2036		
3 PLC	± .015	WEIGHT -		
4 PLC	± -	CUSTOMER DRAWING		
ANGLES	± -	SCALE 4:1		
MATERIAL	BRASS	FINISH SEE ABOVE		

STE TE Connectivity			
NAME .250 SERIES FASTON RECEPTACLE			
SIZE	CAGE CODE	DRAWING NO	RESTRICTED TO
A3	00779	C-42743	—
SHEET 1 OF 1		REV H	

Mouser Electronics

Authorized Distributor

Click to View Pricing, Inventory, Delivery & Lifecycle Information:

[TE Connectivity:](#)

[42743-1](#) [42743-1 \(CUT STRIP\)](#) [42743-1 \(MOUSER REEL\)](#)