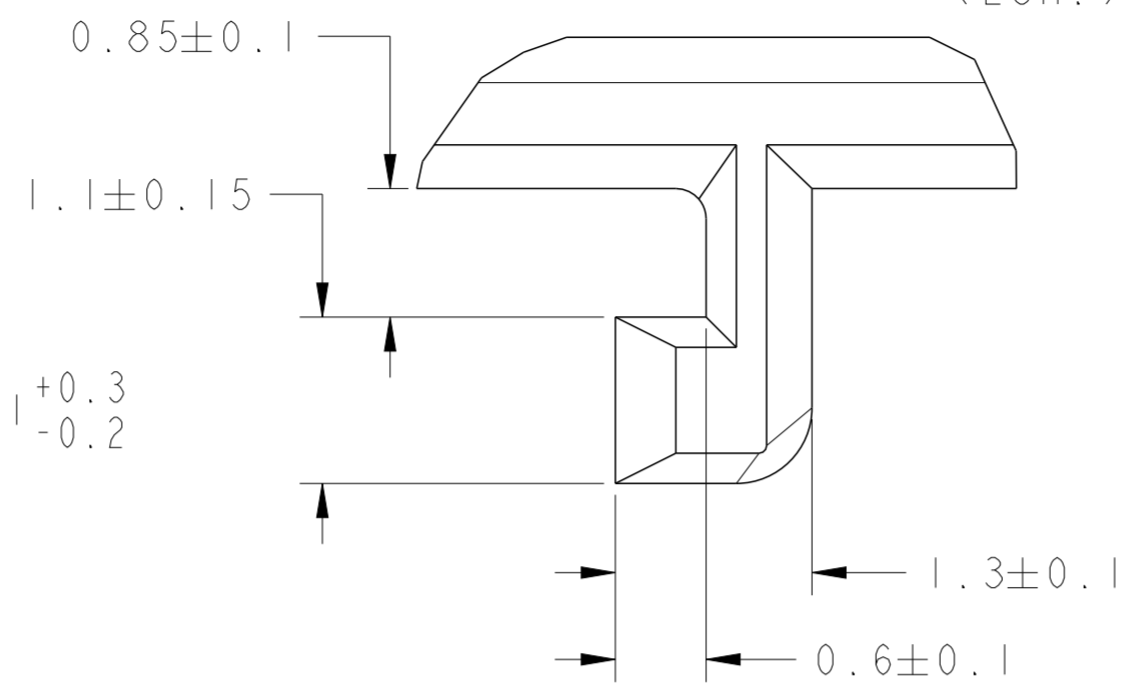
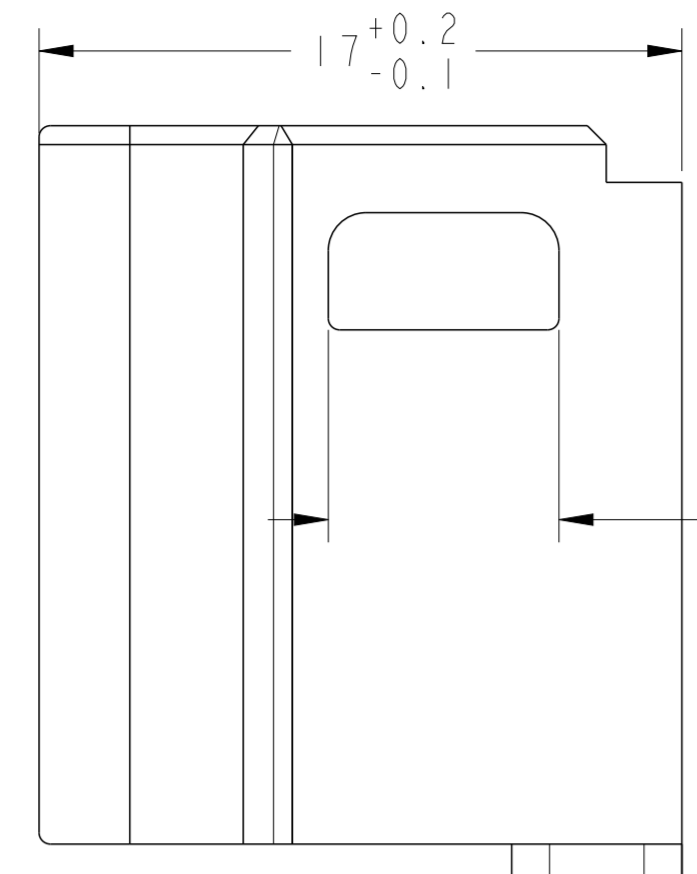


THIS DRAWING IS UNPUBLISHED.  
 DIFFUSION RESTREINTE  
 © COPYRIGHT 20 BY -  
 RELEASED FOR PUBLICATION  
 LIBRE A LA DIFFUSION  
 20  
 ALL RIGHTS RESERVED.  
 TOUS DROITS RESERVES

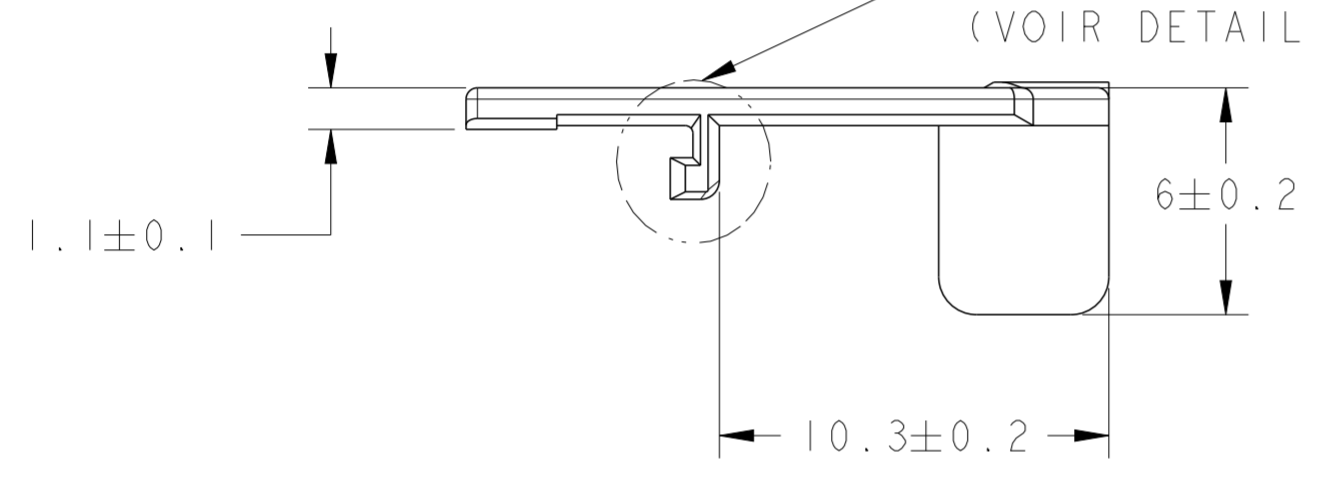
REVISIONS					
P	LTR	DESCRIPTION MODIFICATIONS	DATE	DWN DESS.	APVD APP.
A		UP DATED THE DRW (ADD P/N: 1379218-2)	29-AUG-01	NT.N	S.K
AI		ECR-15-017891	14DEC2015	KCD	SA

DETAIL X  
 ECHELLE 20:1  
 (ECH.)



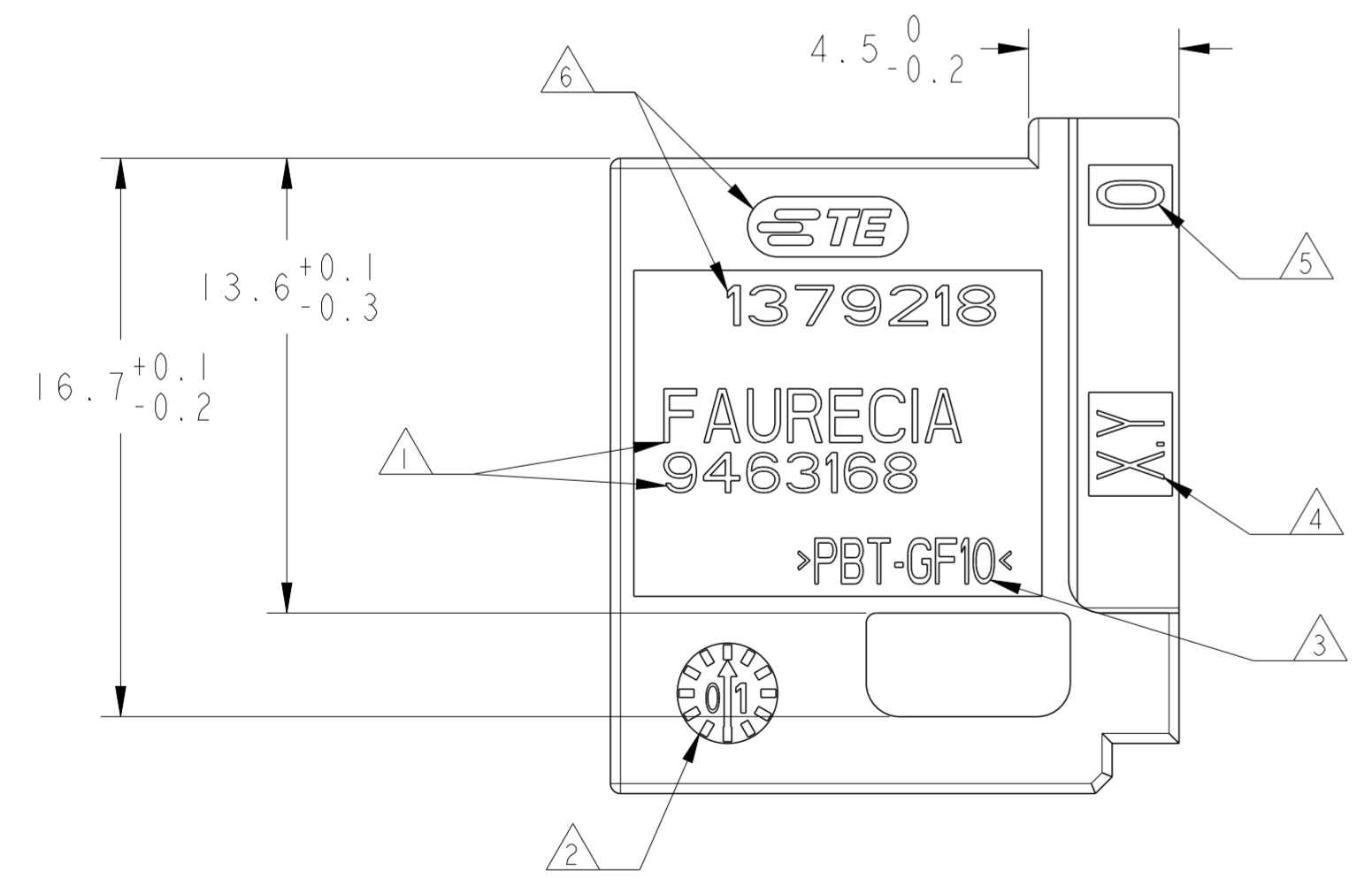
6.1<sup>+0.3</sup><sub>-0.2</sub>

SEE DETAIL X  
 (VOIR DETAIL X)



NOTES:

- 1 AREA FOR OPTIONAL CUSTOMER NAME & PN  
ZONE POUR NOM & REFERENCE CLIENT OPTIONNELS
- 2 CODING DATE  
DATE CODE
- 3 MATERIAL IDENTIFICATION  
MARQUAGE DE MATIERE
- 4 CAVITY MARKING  
NUMERO D' EMPREINTE DU MOULE
- 5 REVISION STATUT OF THE MOLD  
REVISION DU MOULE
- 6 LOGO & P/N OF TE  
LOGO & REFERENCE DE TE



1379218-2	BLACK (NOIR)		
1379218-1	BLACK (NOIR)	FAURECIA	1 FAURECIA 9463168
TE P/N (REF. TE)	COLOR (COULEUR)	PART NUMBER RESTRICTED ONLY TO (REFERENCE RESERVEE UNIQUEMENT A)	CUSTOMER NAME AND PN MARKING (MARGUAGE NOM ET REF CLIENT)

THIS DRAWING IS A CONTROLLED DOCUMENT. CE PLAN EST UN DOCUMENT CONTROLE PAR AMP INCORPORATED. IL EST SUSCEPTIBLE D'ETRE REVISE. CONTACTER LE SERVICE TECHNIQUE D'AMP DE FRANCE POUR OBTENIR LA DERNIERE REVISION.		DWN/DESSINE 26FEB2001 NT. NGUYEN	<b>STE</b> TE Connectivity	
DIMENSIONS: mm		CHK/VERIFIE 27JUN2001 J. LAQUERBE		
TOLERANCES UNLESS OTHERWISE SPECIFIED: TOLERANCES NON SPECIFIEES (SUIV NB DE DECIMALES)		APVD/APPROUVE 27JUN2001 S. KUGENER	NAME / TITRE	
0 DEC/DEC ± 1 DEC/DEC ±0.3 2 DEC/DEC ± 3 DEC/DEC ± 4 DEC/DEC ±		PRODUCT SPEC 108-15315	COUVERCLE POUR PORTE-CLIPS 3 +2V COVER FOR 3+2W SOCKET HOUSING	
MATERIAL/MATIERE PBT GF10		APPLICATION SPEC	SIZE FORMAT A2	CAGE CODE 00779
FINISH/FINITION		WEIGHT MASSE APPROX. 0.50g	DRAWING NO No PLAN C-1379218	RESTRICTED TO RESERVE A
ANGLES ±2°		CUSTOMER DRAWING /PLAN CLIENT	UNIQUEMENT POUR REFERENCE	SCALE ECHELLE 5:1
			SHEET FEUILLE OF DE	REV AI

# Mouser Electronics

Authorized Distributor

Click to View Pricing, Inventory, Delivery & Lifecycle Information:

[TE Connectivity:](#)

[1379218-2](#)