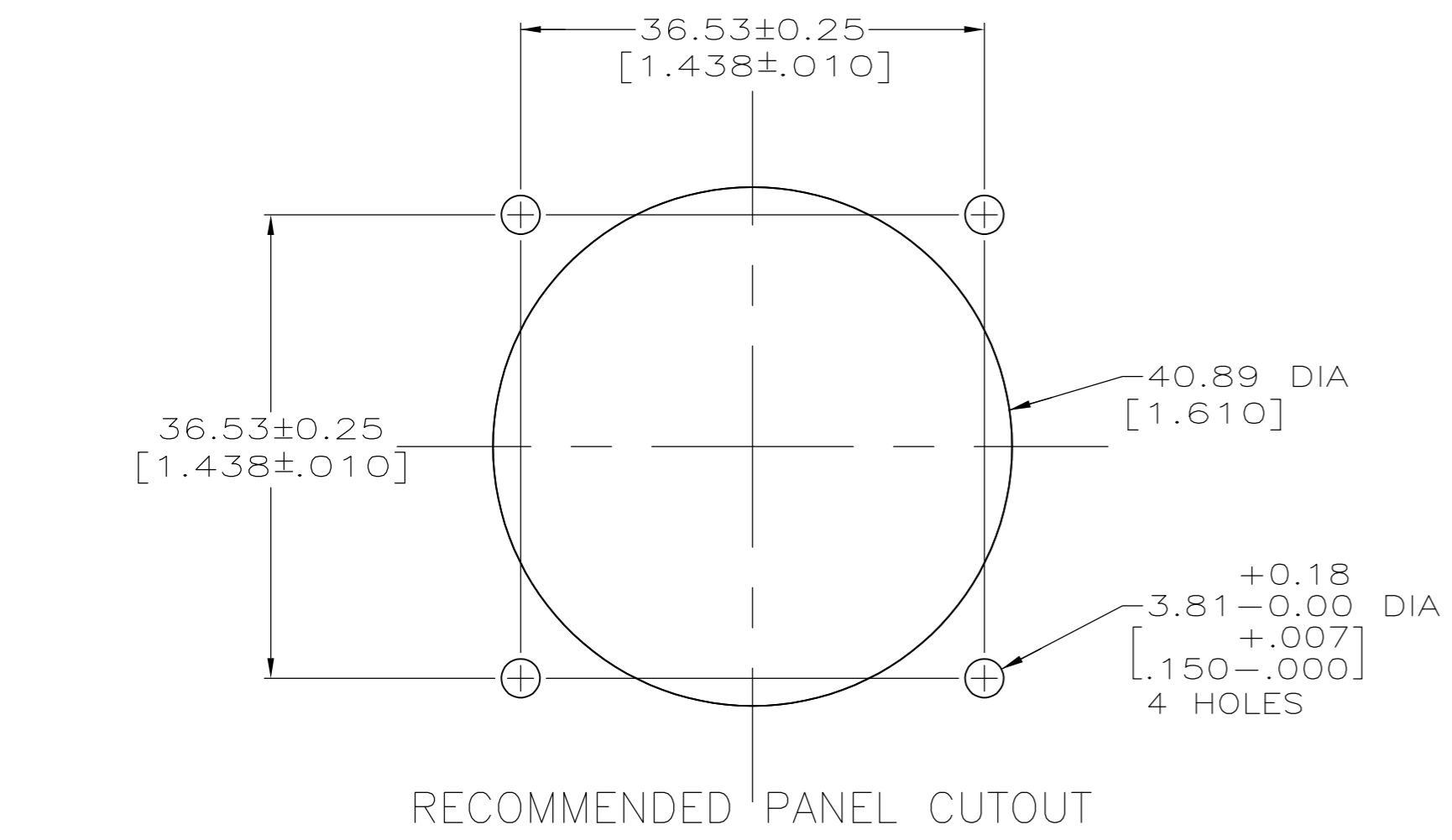
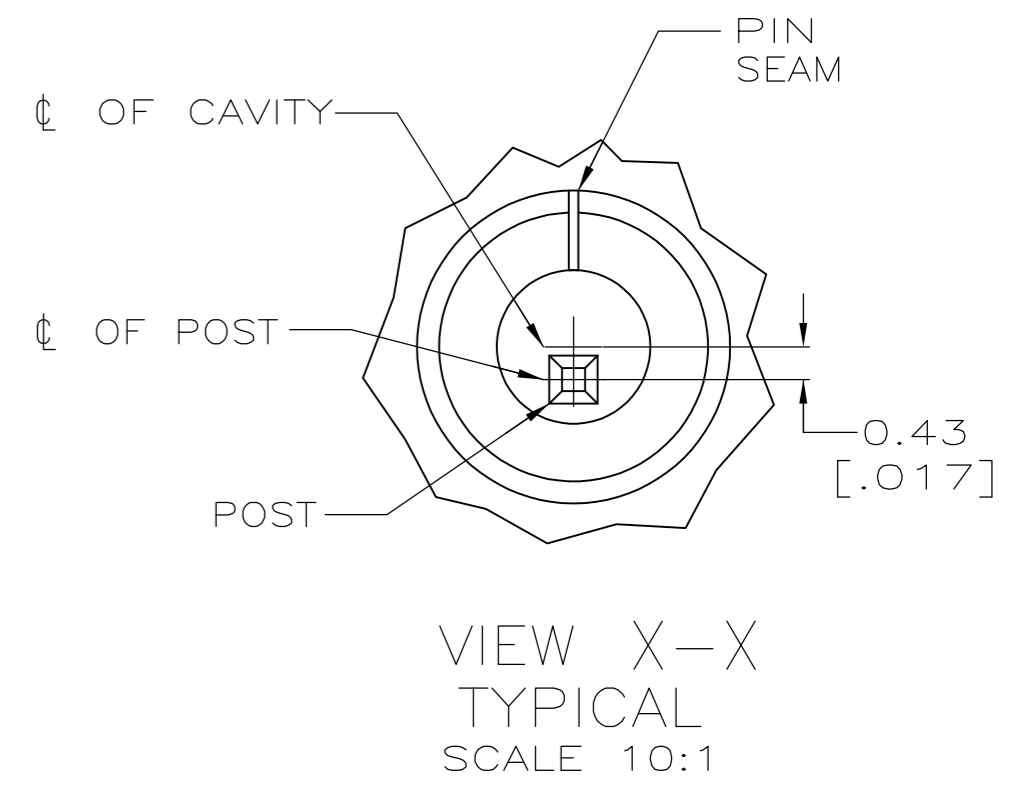
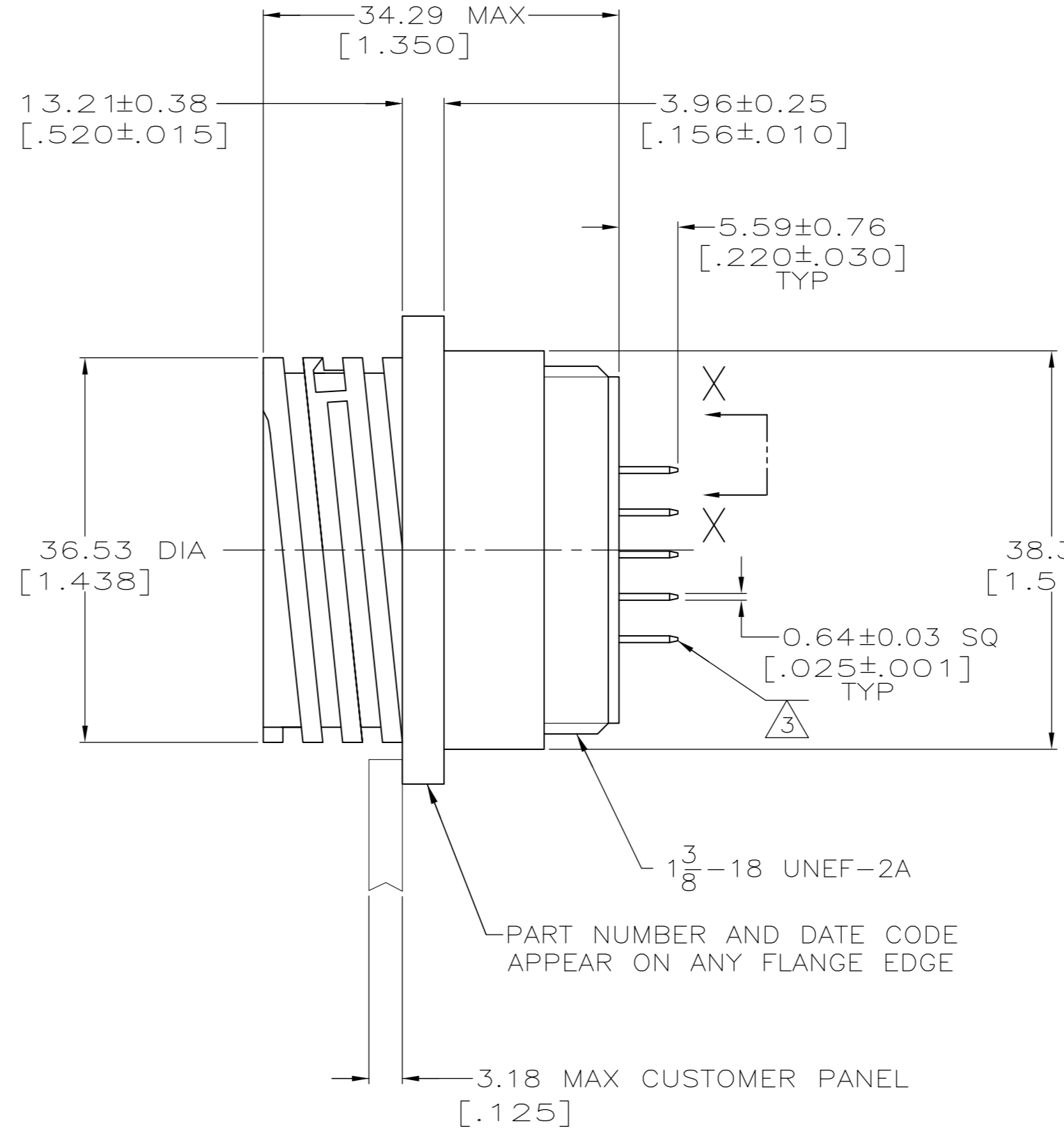
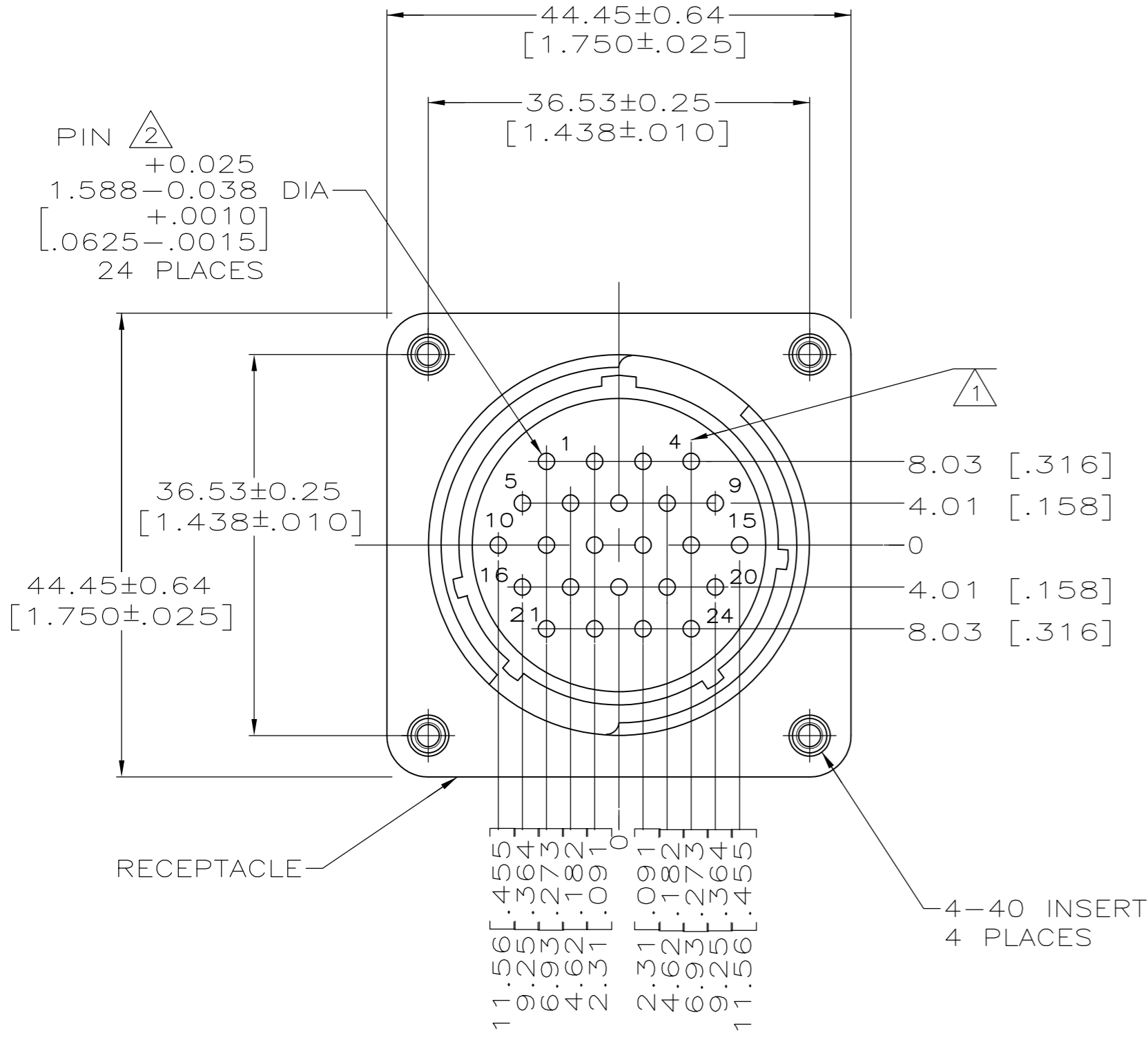


THIS DRAWING IS UNPUBLISHED. RELEASED FOR PUBLICATION
 © COPYRIGHT - By - ALL RIGHTS RESERVED.

LOC		DIST		REVISIONS			
P	LTR	DESCRIPTION	DATE	DWN	APVD		
BD	0						
C		REVISED PER ECO-12-015665	26SEP12	KH	MZ		



- $\Delta 1$ CAVITY IDENTIFICATION CHARACTERS ON FRONT AND REAR FACE.
- $\Delta 2$ 1.27um [0.000050] MIN TIN OVER NICKEL FLASH.
- $\Delta 3$ 2.54um [0.000100] MIN TIN-LEAD OVER 2.54um [0.000100] MIN COPPER ON THIS END.
- $\Delta 4$ 2.54um [0.000100] MIN TIN OVER 2.54um [0.000100] MIN COPPER ON THIS END.

THIS DRAWING IS A CONTROLLED DOCUMENT.		DWN	C DORWART	2-23-90
DIMENSIONS: mm [INCHES]		CHK	-	-
TOLERANCES UNLESS OTHERWISE SPECIFIED:		APVD	-	-
0 PLC	± -	PRODUCT SPEC	-	-
1 PLC	± -	APPLICATION SPEC	-	-
2 PLC	± 0.13[.005]	WEIGHT	-	-
3 PLC	± -	CUSTOMER DRAWING	-	-
4 PLC	± -	SCALE	2:1	SHEET 1 OF 2
ANGLES	± -	REV	C	
MATERIAL	FINISH	SIZE	A2	CAGE CODE
INSERT AND PIN: BRASS	-	DRAWING NO	00779	213588
		RESTRICTED TO	-	

$\Delta 4$	213588-2
$\Delta 3$	213588-1
POST FINISH	PART NUMBER

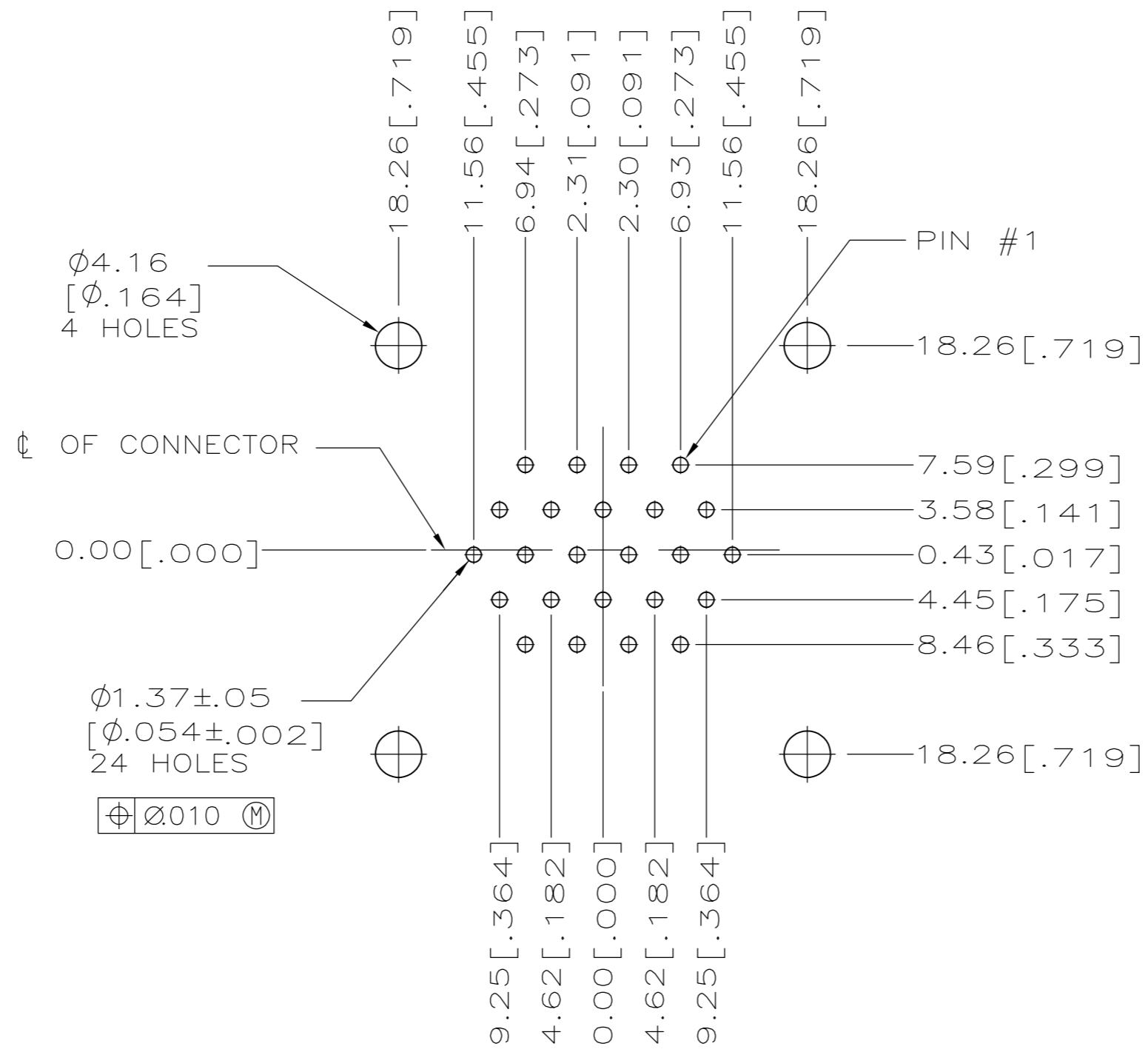
TE TE Connectivity

RECEPTACLE ASSEMBLY,
23-24, STANDARD SEX,
POSTED CONTACTS, CPC

SCALE 2:1 SHEET 1 OF 2 REV C

THIS DRAWING IS UNPUBLISHED. RELEASED FOR PUBLICATION
 © COPYRIGHT - By - ALL RIGHTS RESERVED.

LOC		DIST		REVISIONS			
P	LTR	DESCRIPTION	DATE	DWN	APVD		
BD	0	SEE SHEET 1	-	-	-		



RECOMMENDED P.C. BOARD LAYOUT

THIS DRAWING IS A CONTROLLED DOCUMENT.		DWN	2-23-90		TE TE Connectivity
DIMENSIONS: mm [INCHES]		CHK	C DORWART		
TOLERANCES UNLESS OTHERWISE SPECIFIED:		APVD	-		NAME RECEPTACLE ASSEMBLY, 23-24, STANDARD SEX, POSTED CONTACTS, CPC
0 PLC ± -		PRODUCT SPEC	-		
1 PLC ± -		APPLICATION SPEC	-		SIZE
2 PLC ± 0.13 [.005]		WEIGHT	-		CAGE CODE
3 PLC ± -		CUSTOMER DRAWING	-		DRAWING NO
4 PLC ± -		SCALE	2:1		SHEET
ANGLES ± -		SHEET	2 OF 2		REV
MATERIAL INSERT AND PIN: BRASS		FINISH	-		RESTRICTED TO
FINISH		-		A2 00779	C=213588

Mouser Electronics

Authorized Distributor

Click to View Pricing, Inventory, Delivery & Lifecycle Information:

[TE Connectivity:](#)

[213588-1](#)