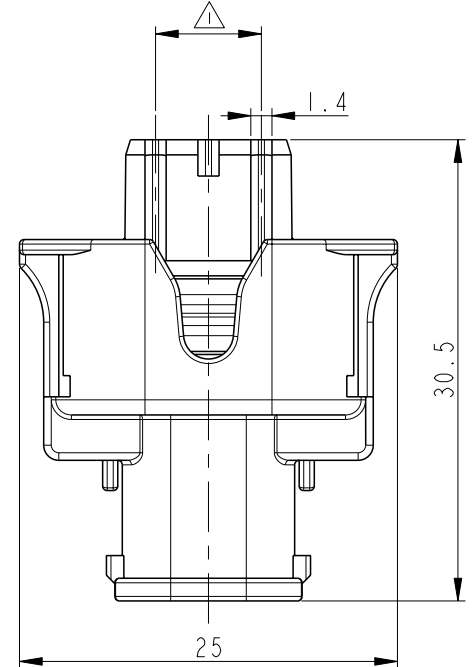
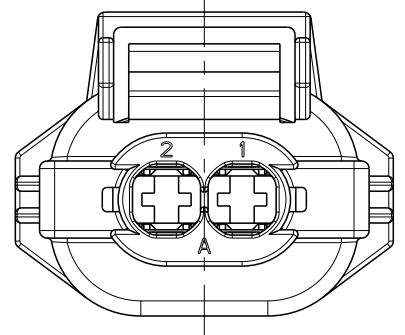
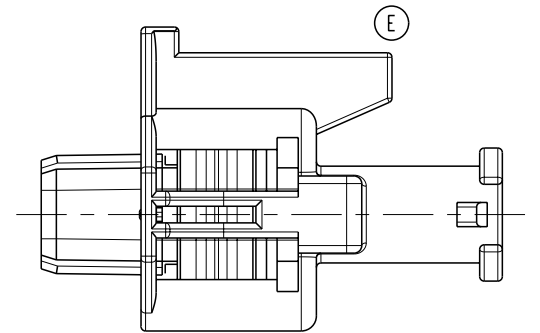
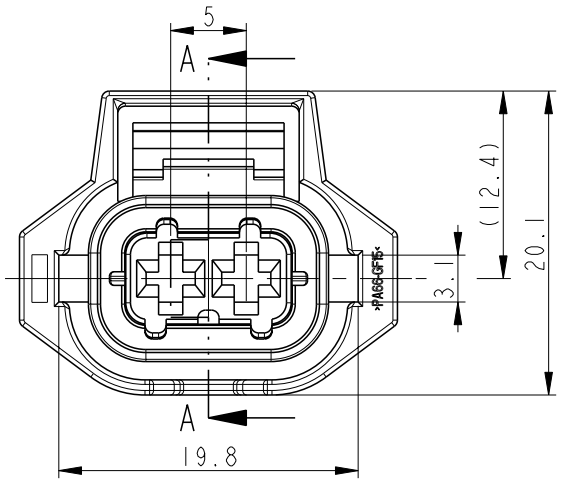
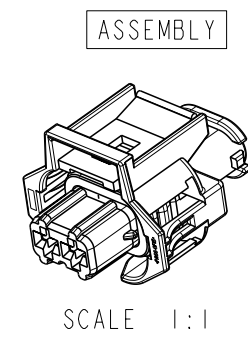
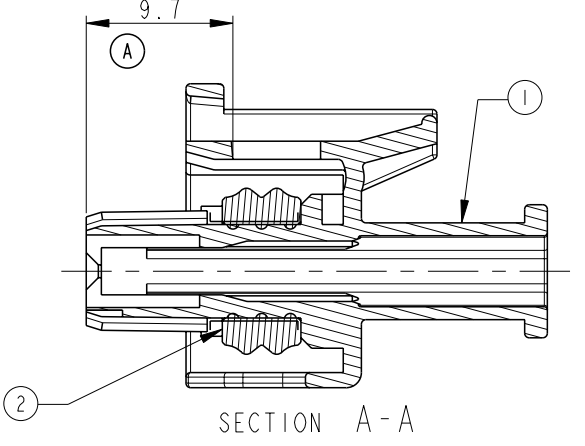
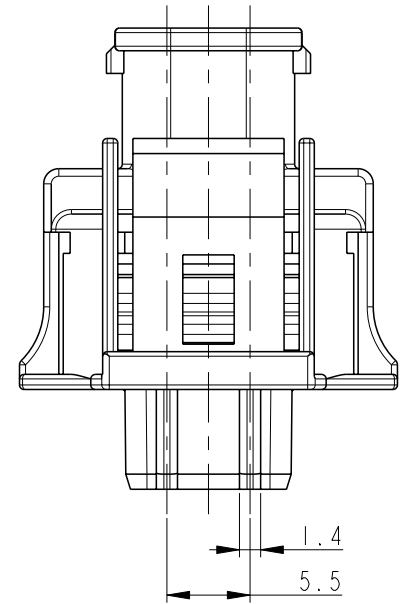


REVISIONS				
P	LTR	DESCRIPTION	DATE	APVD
G		REVISED(ECR-12-013083)	18.JUN.'12	JM HG
G1		REVISED(ECR-14-014192)	29.SEP.'14	JM HG
G2		REVISED(ECR-16-006117)	27.APR.'16	JM JW
H		REVISED(ECR-17-013149)	28.SEP.'17	JS YJ



NOTE
 1. CODING IS AS FOLLOWS: SEE TABLE I
 2. 0.15 MAX. WARPAGE AND 0.2 MAX. FLASH ARE PERMISSIBLE
 3. SURFACE DEFECTS ARE NOT ACCEPTABLE AS FOLLOWS: SINK, WELD LINES, HIRCRACKS, STAINS & SCORES
 4. APPLIED RECEPTABLE CONTACT P/N:

DESCRIPTION	2.8mm SENSOR-FLAT RECEPTACLE	
PART NO.	967542	967543
WIRE SIZE (mm)	0.5 ~ 1.0	1.25 ~ 2.5

5. APPLIE WIRE SEAL P/N:

DESCRIPTION	SINGLE WIRE SEAL (5mm HOLE)	
PART NO.	828904	967543
INSULATION DIA. (∅)	1.2 ~ 2.1mm	2.2 ~ 3.0mm

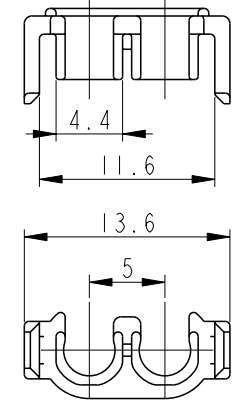
[TABLE I] (SCALE 1:1)

CODE I : 0-936059-1	CODE II : 1-936059-1
⑥ CODE I : 0-936059-3	⑥ CODE II : 1-936059-3

⑥ CODE III : 2-936059-1	CODE IV : T.B.D.

ACCESSORIES DRAWING

⑥ 1. DBL HSG : P/N:936103

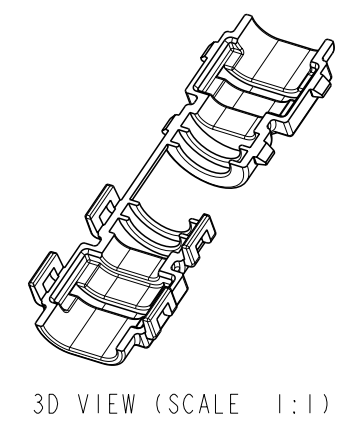
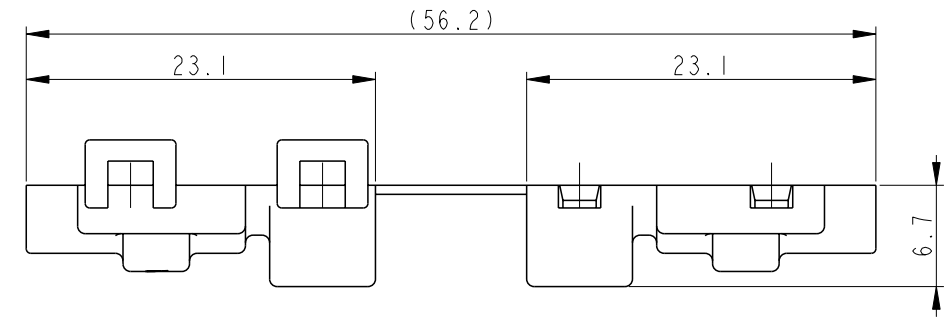


NOTE
 ⑥ 1. MATERIAL: PBT



⑥ 2. COVER HSG : P/N:936111

NOTE
 ⑥ 1. MATERIAL: PA66
 2. CORRUGATOR DIAMETER : ∅7.0



Q'TY	P/N	DESCRIPTION	MATERIAL	COLOR/FINISH	NO.
①	936800-3	INNER SEAL	SILICONE	SIGNAL GRAY	2
②	936800-2	INNER SEAL	SILICONE	ULTRAMARINE BLUE	2
	936800-1	INNER SEAL	SILICONE	RED ORANGE	2
③	3-936102-1	PLUG HSG	PA66 GF15	BLACK	1
④	2-936102-1	PLUG HSG	PA66 GF15	BLACK	1
⑤	1-936102-3	PLUG HSG	PA66 GF15	DARK GRAY	1
	1-936102-1	PLUG HSG	PA66 GF15	BLACK	1
⑥	936102-3	PLUG HSG	PA66 GF15	GRAY	1
	936102-1	PLUG HSG	PA66 GF15	BLACK	1

ASS'Y P/N	3-936059-1	⑥	THIS DRAWING IS A CONTROLLED DOCUMENT.	DWN	JM JEON	TE Connectivity NAME 2.8mm SELAED 2P PLUG ASSEMBLY (FLAT SENSOR CONNECTOR)							
	2-936059-1	⑥		CHK	JW JUNG								
	1-936059-3	⑥		APVD	HG CHO								
	1-936059-1	⑥		PRODUCT SPEC	-								
936059-3	⑥	936059-2	⑥	APPLICATION SPEC	114-18144	SIZE	A2	CAGE CODE	00779	DRAWING NO	C-936059	RESTRICTED TO	-
936059-1	⑥			WEIGHT	-	SCALE	2:1	SHEET	1	OF	1	REV	H

Mouser Electronics

Authorized Distributor

Click to View Pricing, Inventory, Delivery & Lifecycle Information:

[TE Connectivity:](#)

[936059-1](#)