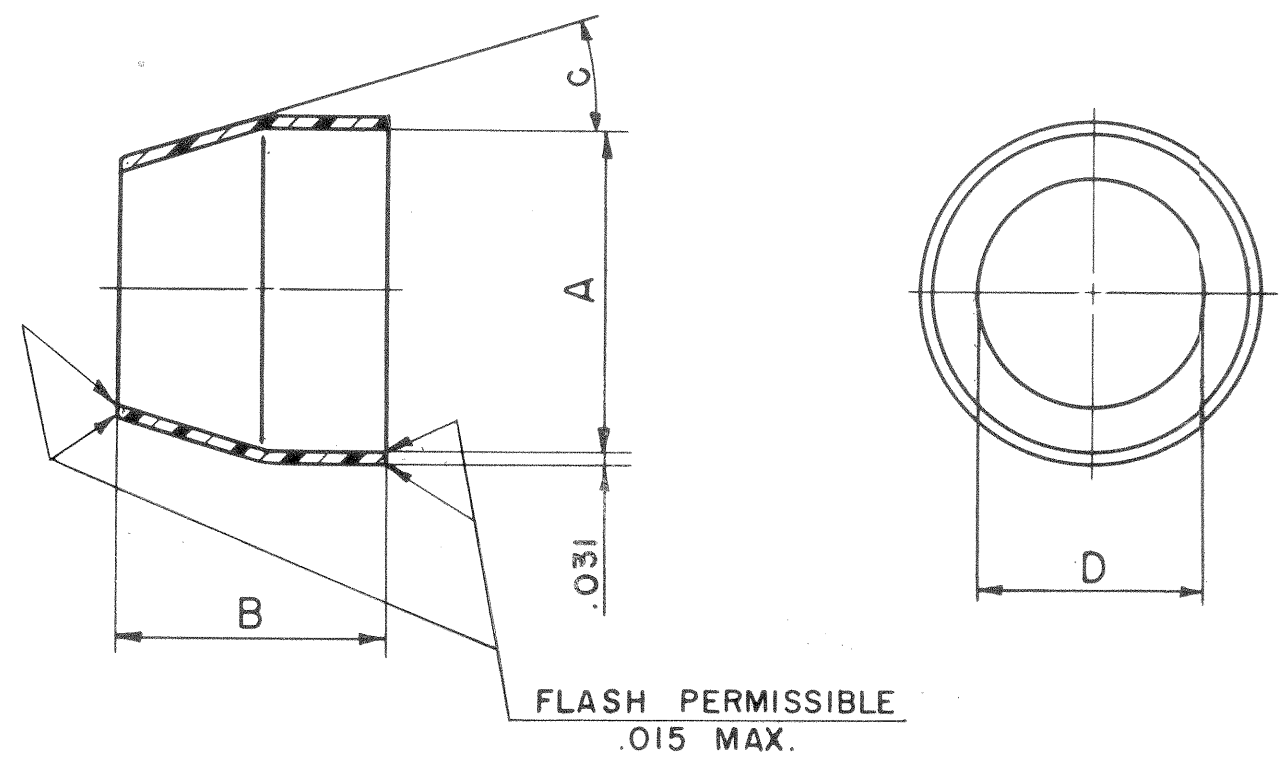


PART NUMBER	A DIA	B	C	D DIA	WT-LB	COMMENT	RELEASE
10-36298-8	.516 ^{+0.000} / _{-0.010}	.63	22°	.288	.0010	22387-6	30508-227
-10	.609	↓		.359	.0011		
-12	.766	↓		.484	.0016		
-13	.766	.851		.484			
-14	.844	.633		.609	.0020		
-15	.844	.851		.609	.0027		
-16	.969	.633		.734	.0020		
-17	.969	.851		.734	.0023		
-18	1.094 ↓	↓		.859	.0040		
-20	1.219 ^{+0.000} / _{-0.015}	↓		.984	.0047		
-22	1.344	↓		1.109	.0051		
-24	1.469	.788		1.234	.0052		
-28	1.719 ↓	.788	↓	1.427	.0063		
-32	2.000 ^{+0.000} / _{-0.020}	.726	34°	1.708	.0070		
-36	2.219	↓		1.895	.0066		
-40	2.469	↓		2.130			
-44	2.782 ↓	↓		2.400			

10-36298

REL.	30508-227	WAS	DATE	D'MAN	APPD.
1	31018-1	ADD: NOTE "FLASH PERMISSIBLE .015 MAX."	5-16-55	I. NILES	<i>[Signature]</i>
2	30525-314	REV COL A	9-16-55	JONES	<i>[Signature]</i>
3	31662-2	ADD D DIA FOR -10, RELOC C DIM, REV COL C	1-17-56	FGEORGE	<i>[Signature]</i>
4	33199-1	REV COL C	6-24-57	MUGGLIN	<i>[Signature]</i>
5	35525-881	ADD -44 AND DATA	8-31-59	FAIRCHILD	<i>[Signature]</i>
A	49525-85	(MFG); ADD. WT LB COL	11-8-69	Randall	<i>[Signature]</i>



USE OF THIS DOCUMENT IS UNLIMITED. DOCUMENTS REFERENCED HEREON CONTAIN LIMITED RIGHTS DATA.

- NOTES:
- PARTS TO BE TRANSPARENT TO TRANSLUCENT.
 - E. I. DUPONT DE NEMOURS & CO, INC ZYTEL 101.
 - ENGINEERING SOURCE APPROVAL REQUIRED.

MATERIAL SPEC. NYLON SEE NOTE 2		PROCESS SPEC.		SCINTILLA MAGNETO DIVISION BENDIX AVIATION CORPORATION SIDNEY, N. Y., U.S.A.				TOLERANCES UNLESS OTHERWISE SPECIFIED	
HEAT TREAT SPEC.		FINISH SPEC.		NAME END BELL, POTTING, ELECTRICAL CONNECTOR				CONCENTRICITY .015 FIR	
TOOL ACC		COM. REC 22387-6		D'MAN CHERMAK				NEXT ASSEMBLY 10-87217 THRU 10-87232 10-87201 THRU 10-87216	
				CHECKER T. Lyons				WEIGHT - LBS SEE WT COL	
				MAT EP				SUPERSEDES AND IS NOT INTERCHANGEABLE	
				ST'DS Bibean				SUPERSEDED BY	
				CH D'MAN Reed				10-36298	
				APPROVED [Signature]				REF	
				SCALE NO SCALE					
				DATE 9-16-54					
				DATE 2-23-55					
				DATE 1-6-55					
				DATE 2-25-55					

Mouser Electronics

Authorized Distributor

Click to View Pricing, Inventory, Delivery & Lifecycle Information:

[Amphenol:](#)

[10-036298-020](#) [10-036298-022](#) [10-036298-012](#) [10-036298-024](#) [10-036298-017](#) [10-036298-036](#)