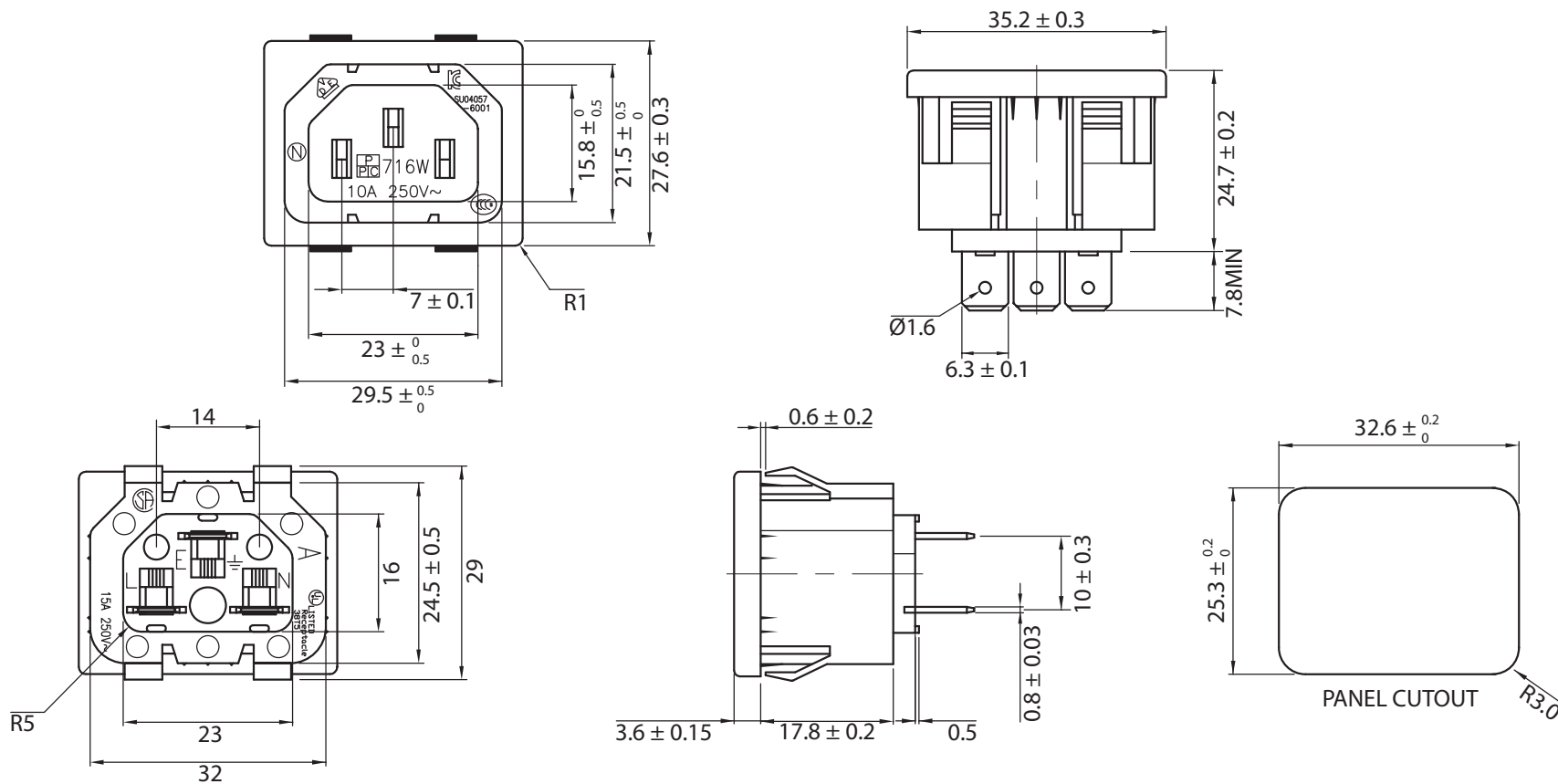


THESE DRAWINGS ARE THE PROPERTY OF QUALTEK ELECTRONICS AND NOT TO BE REPRODUCED FOR OR COMMUNICATED TO A THIRD PARTY WITHOUT THE EXPRESS WRITTEN PERMISSION OF AN OFFICER OF QUALTEK ELECTRONICS.

REVISION			
REV.	DESCRIPTION	DATE	APPROVED
B	RoHS Compliancy	06-01-06	DP
C	Updated Graphics and Dimensions	06-02-10	LY
D	Added RTI Information	03-11-11	LY
E	Updated Dimensions	03-23-11	LY
F	Added Terminal Material and Tolerances	03-29-11	LY



NOTES:

RATING:

UL, CSA: 15A 250V AC
 VDE, NEMKO, CCC, KTL: 10A 250V AC
 APPROVALS: UL, CSA, VDE, NEMKO, CCC
 PANEL THICKNESS: 0.8~1.5mm

MATERIAL:

BODY INSULATOR: PC BLACK COLOR
 TERMINAL: BRASS STRIP C2680 NICKEL PLATED
 UL 746B RELATIVE TEMPERATURE INDEX:
 TENSILE STRENGTH: 125°C
 TENSILE IMPACT STRENGTH: 115°C
 ELECTRIC STRENGTH: 125°C
 RoHS COMPLIANT

CONTROLLED

Dim range (mm)	Tolerance +/- (mm)	Qualtek Electronics Corp. PPC DIVISION		
		Part Number: 716W-X2/03	RoHS Compliant	
0-1	0.15	Description: AC RECEPTACLE		
1-6	0.20			
6-18	0.30		UNIT: mm	REV. F
18-50	0.50			
50-120	0.70	Drawn / Date	Checked / Date	Approved / Date
120-250	0.90	B.ZHANG 03-10-04	03-10-04	JJH / 03-10-04
250-500	1.20			

Mouser Electronics

Authorized Distributor

Click to View Pricing, Inventory, Delivery & Lifecycle Information:

[Qualtek:](#)

[716W-X2/03](#)