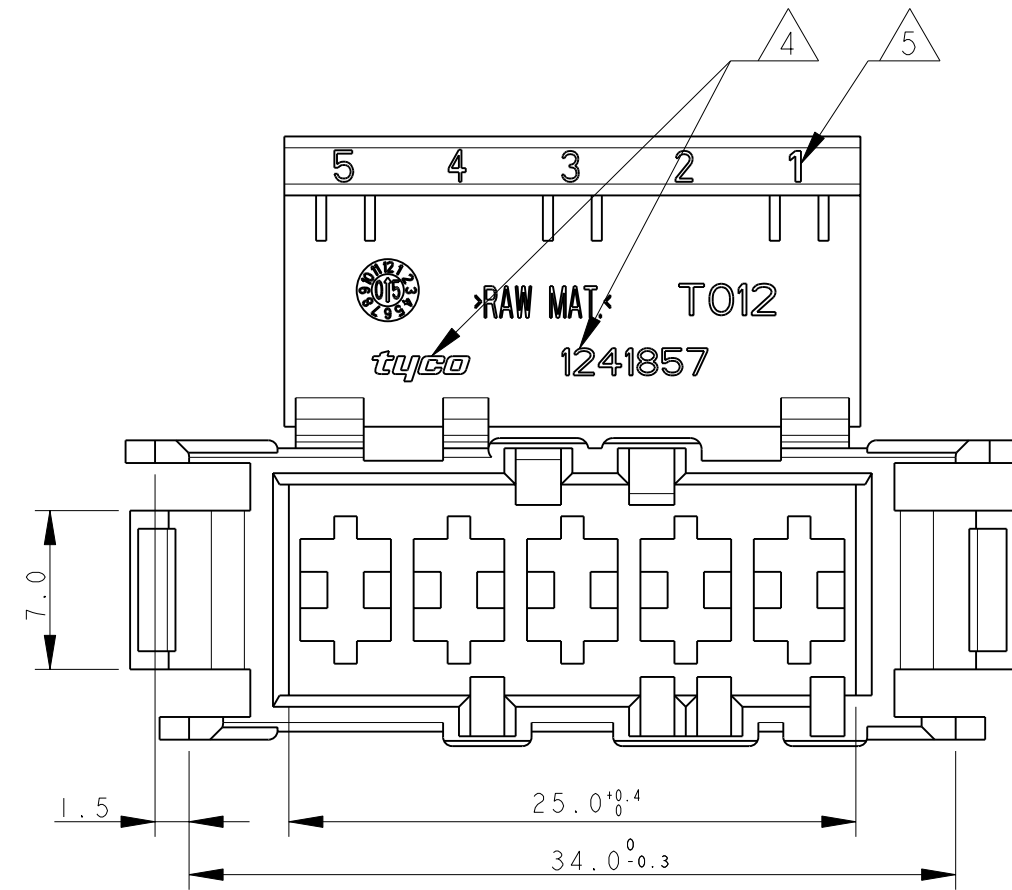
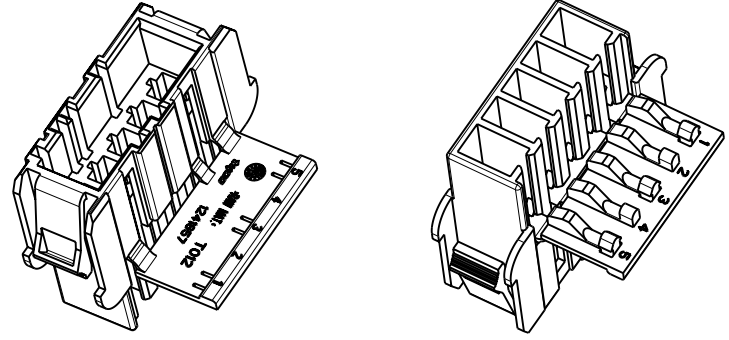


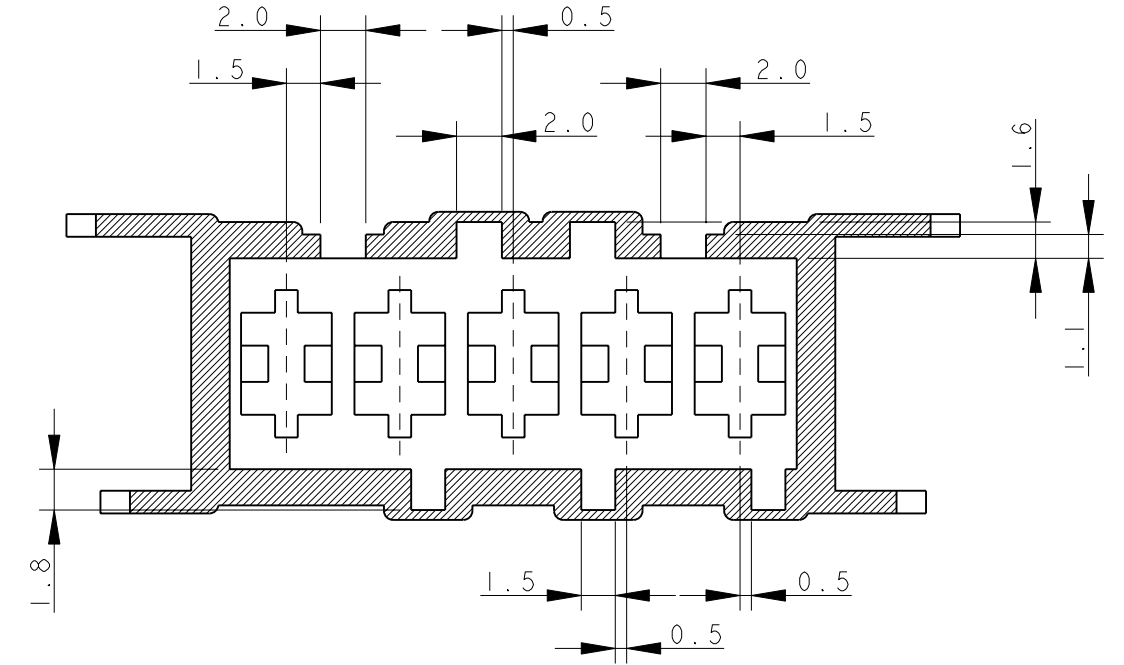
THIS DRAWING IS UNPUBLISHED. RELEASED FOR PUBLICATION 2003
 © COPYRIGHT 2003 BY TYCO ELECTRONICS CORPORATION. ALL RIGHTS RESERVED.

REVISIONS					
P	LTR	DESCRIPTION	DATE	DWN	APVD
C		CHANGED SEC. LOCK, ECR-07-007751	27APR2007	HY	GT
D		POL. SCHEME AND LOGO, ECR-08-018175	27MAY2008	HY	GT
D1		UPDATED	13MAY2009	HY	GT
D2		PROD. SPEC INFO ADDED	01OCT2010	PKS	MP

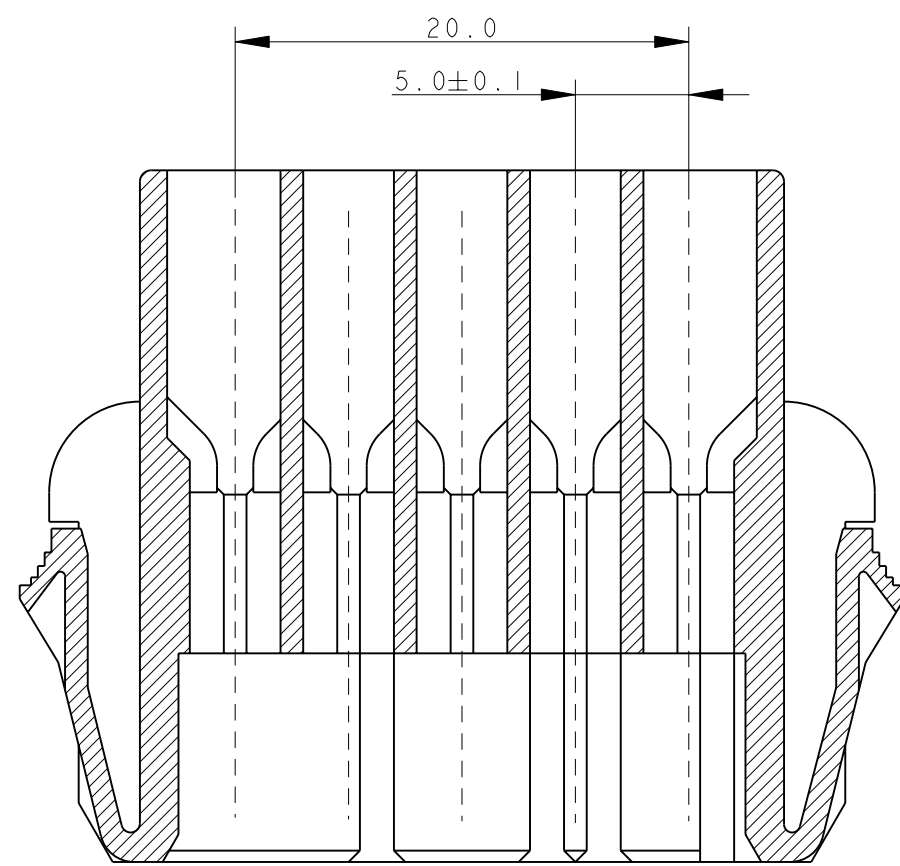
PERSPECTIVE VIEW FOR REF. ONLY SCALE 1:1



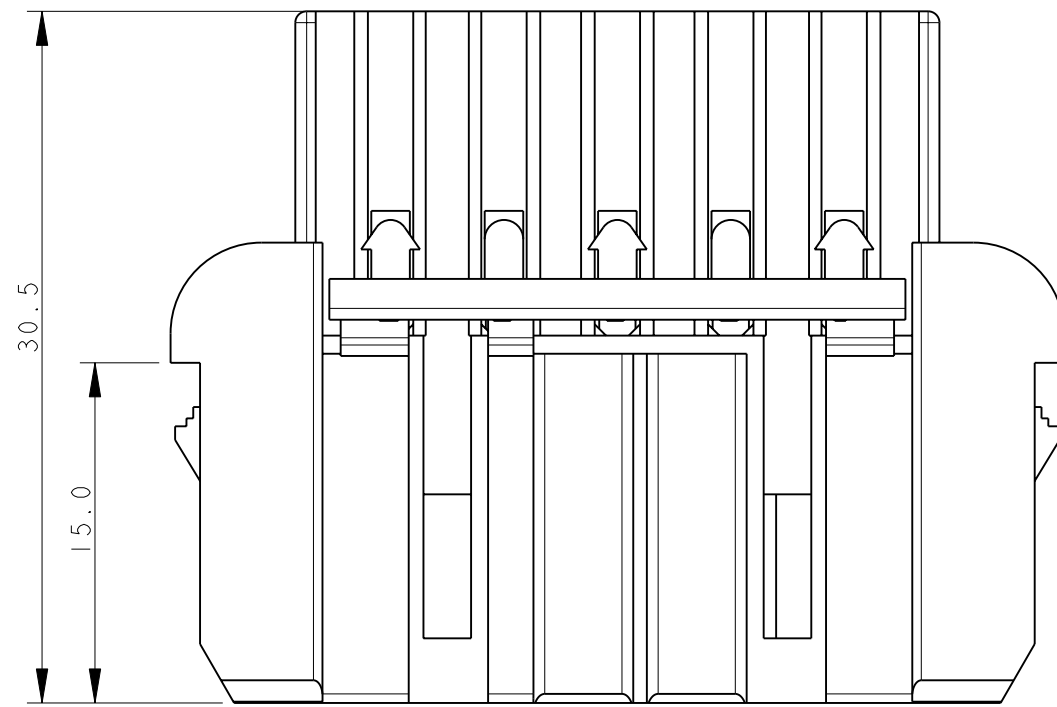
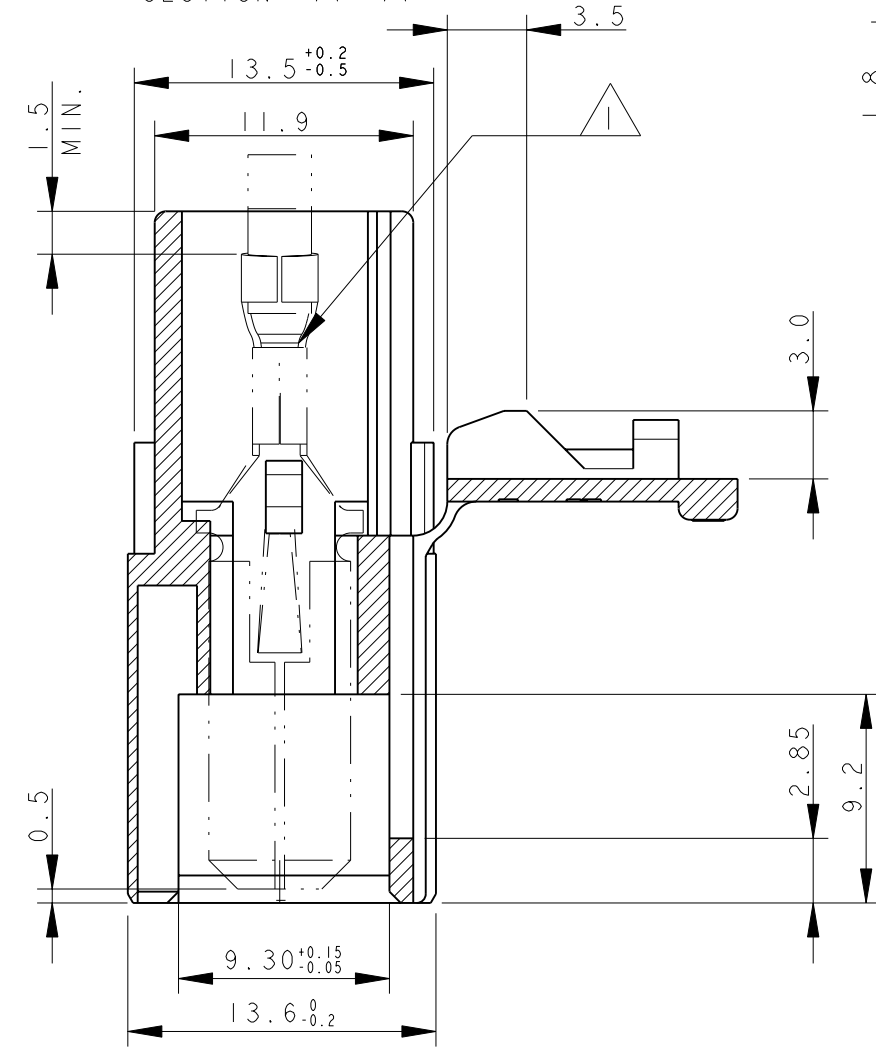
POLARIZATION KEYS SCHEME



SECTION D-D

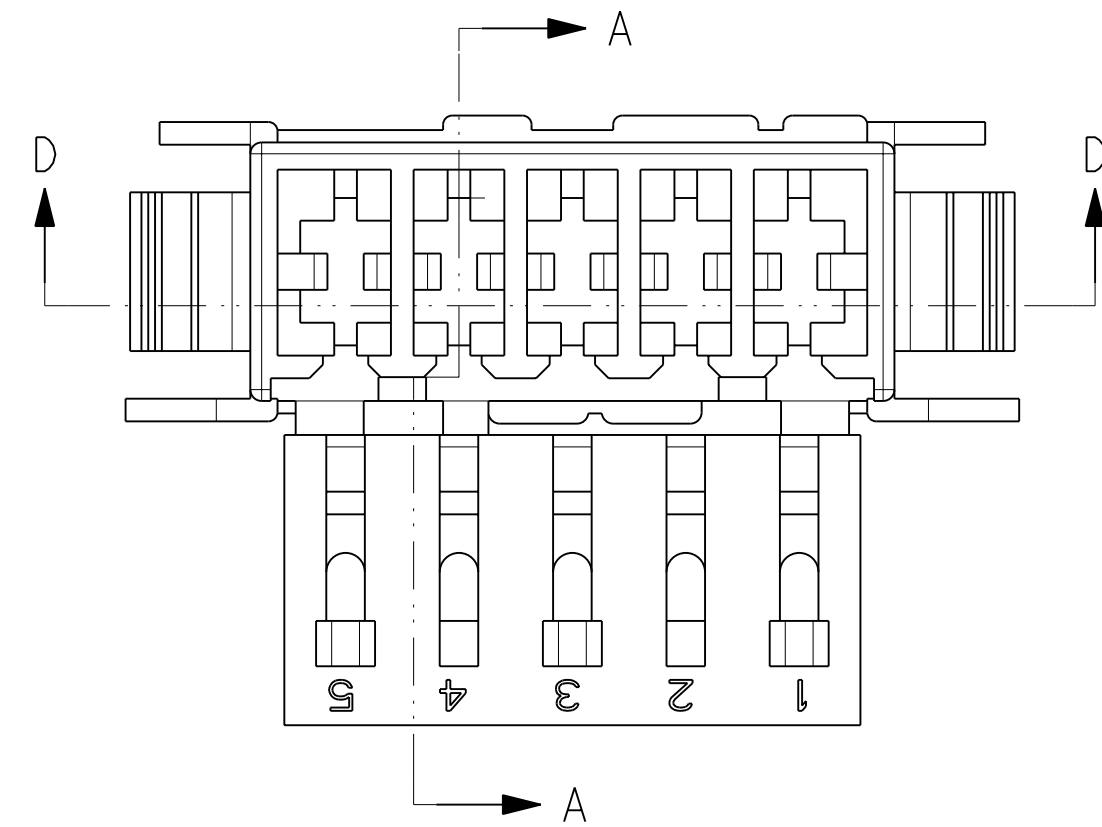
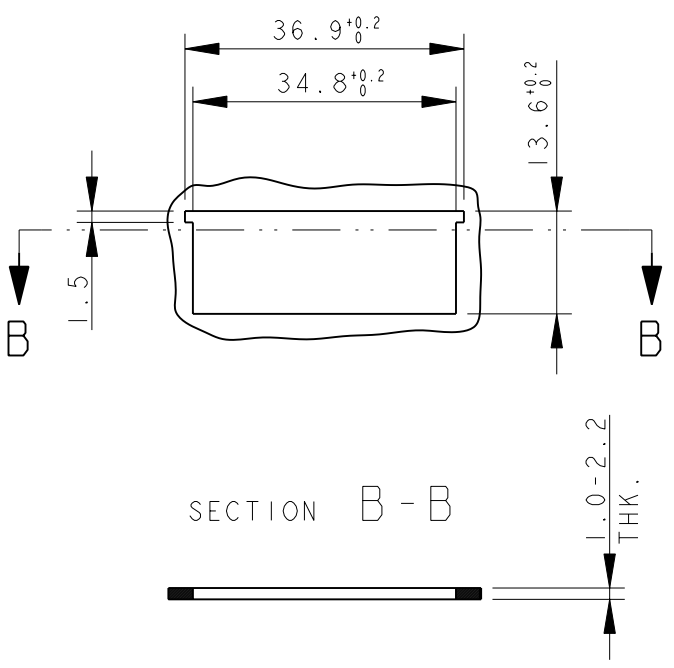


SECTION A-A



- 1 TYPICAL CAVITY SUITABLE FOR:
FASTIN-FASTON TAB CONTACTS 6.3 mm SRS:
P/N: 293041, 0.3-1.0 mm² WIRE RANGE
60294, 0.3-0.8 mm² WIRE RANGE
160691, 0.3-0.8 mm² WIRE RANGE
AMPLIVAR CONTACTS:
P/N: 141051, 0.1-0.5 mm² WIRE RANGE
142411, 0.3-1.6 mm² WIRE RANGE
MAX. INSULATION DIA. 2.8 mm,
MAX. INSULATION CRIMP WIDTH 3.3 mm.
- 2 PA UNFILLED, UL 94-V2, NATURE COLOUR ACCORDING TO IEC 60335-1 NORM.
- 3 PA66 UNFILLED, UL 94-V2, NATURE COLOUR
- 4 TRADEMARK AND TYCO ELECTRONICS "PART NUMBER" OPTIONAL POSITION.
- 5 CIRCUIT IDENTIFICATION NUMBERS, 1 TO 5.
- 6 POLARIZATION KEYS DIMENSIONS AND POSITIONS ARE ACCORDING TO "RAST 5" NORM RAST CODE 05-B, 05-D.

PANEL CUT OFF DIMENSIONS SCALE 1:1



NOTE	COLOUR	MATERIAL	P/N	REV
	NATURAL	SEE NOTE 2	9-1241857-5	D
	NATURAL	SEE NOTE 3	0-1241857-5	D

THIS DRAWING IS A CONTROLLED DOCUMENT FOR TYCO ELECTRONICS CORPORATION IT IS SUBJECT TO CHANGE AND THE CONTROLLING ENGINEERING ORGANIZATION SHOULD BE CONTACTED FOR THE LATEST REVISION.		DWN H. YAALI 06 JUN 2005	Tyco Electronics AMP Italia S.R.L. C.so F.lli Cervi, 15 COLLEGGNO (TO)	
DIMENSIONS: mm		CHK G. TURCO	NAME 5POS. FASTIN-FASTON TAB HOUSING RAST 5, PANEL MOUNT VERSION.	
TOLERANCES UNLESS OTHERWISE SPECIFIED:		APVD -	PRODUCT SPEC 108-20256	
0 PLC ± 1 PLC ±0.3 2 PLC ± 3 PLC ± 4 PLC ±		APPLICATION SPEC -	SIZE A2	
MATERIAL SEE TABLE		FINISH -	WEIGHT -	CAGE CODE 00779
		ANGLES ±°	DRAWING NO 1241857	RESTRICTED TO -
			SCALE 3:1	SHEET 1 OF 1
			CUSTOMER DRAWING	REV D2

Mouser Electronics

Authorized Distributor

Click to View Pricing, Inventory, Delivery & Lifecycle Information:

[TE Connectivity:](#)

[9-1241857-5](#)