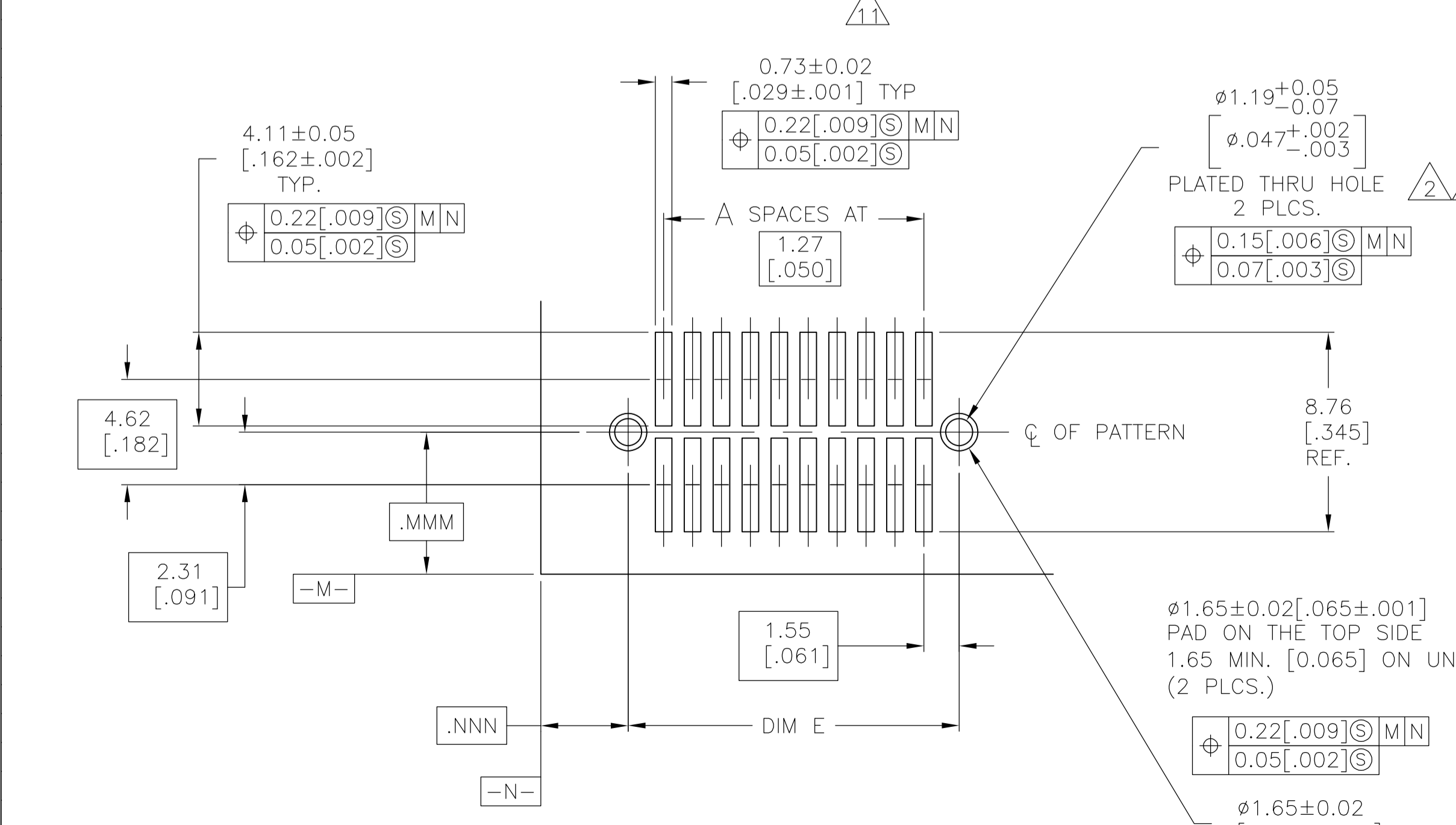
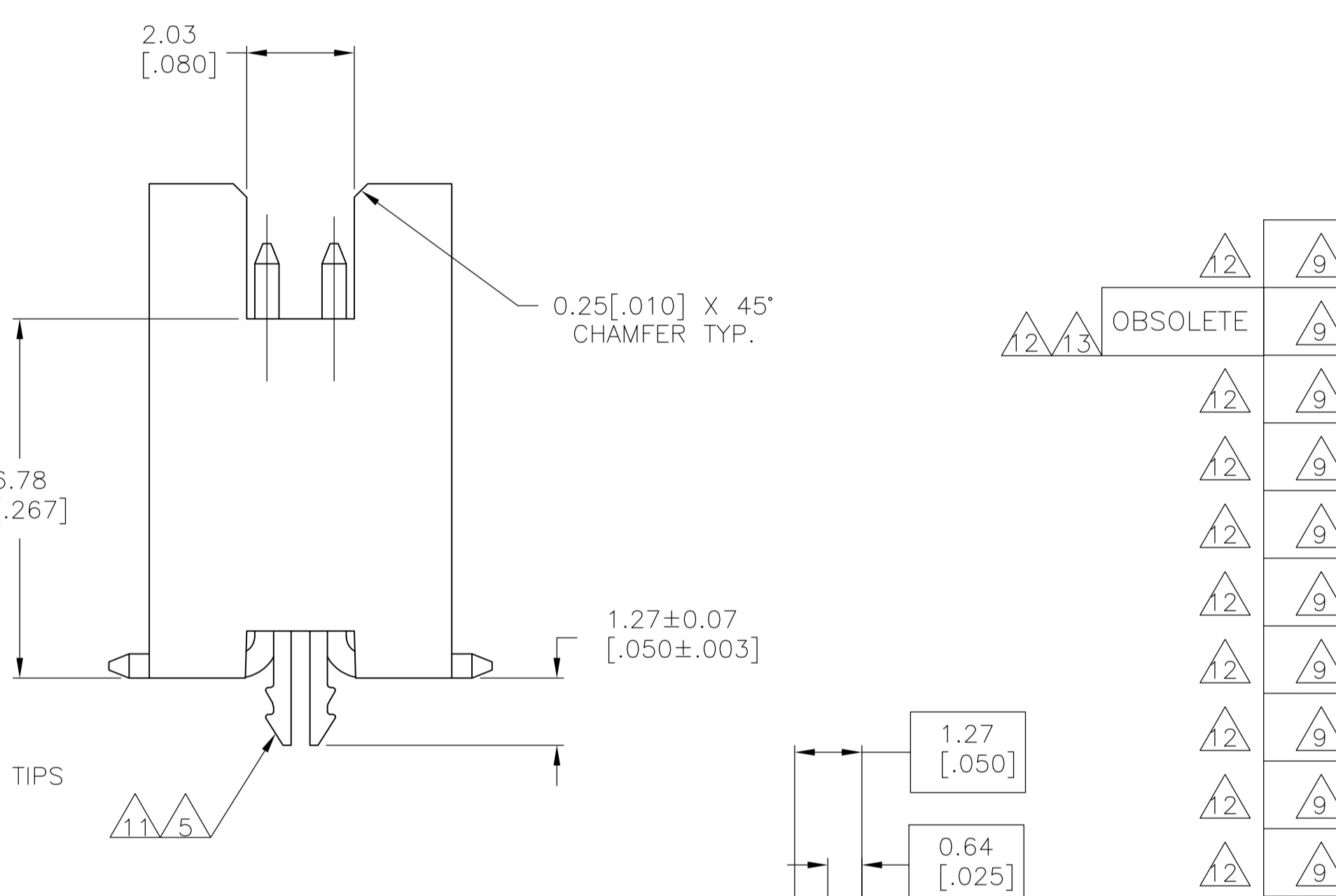
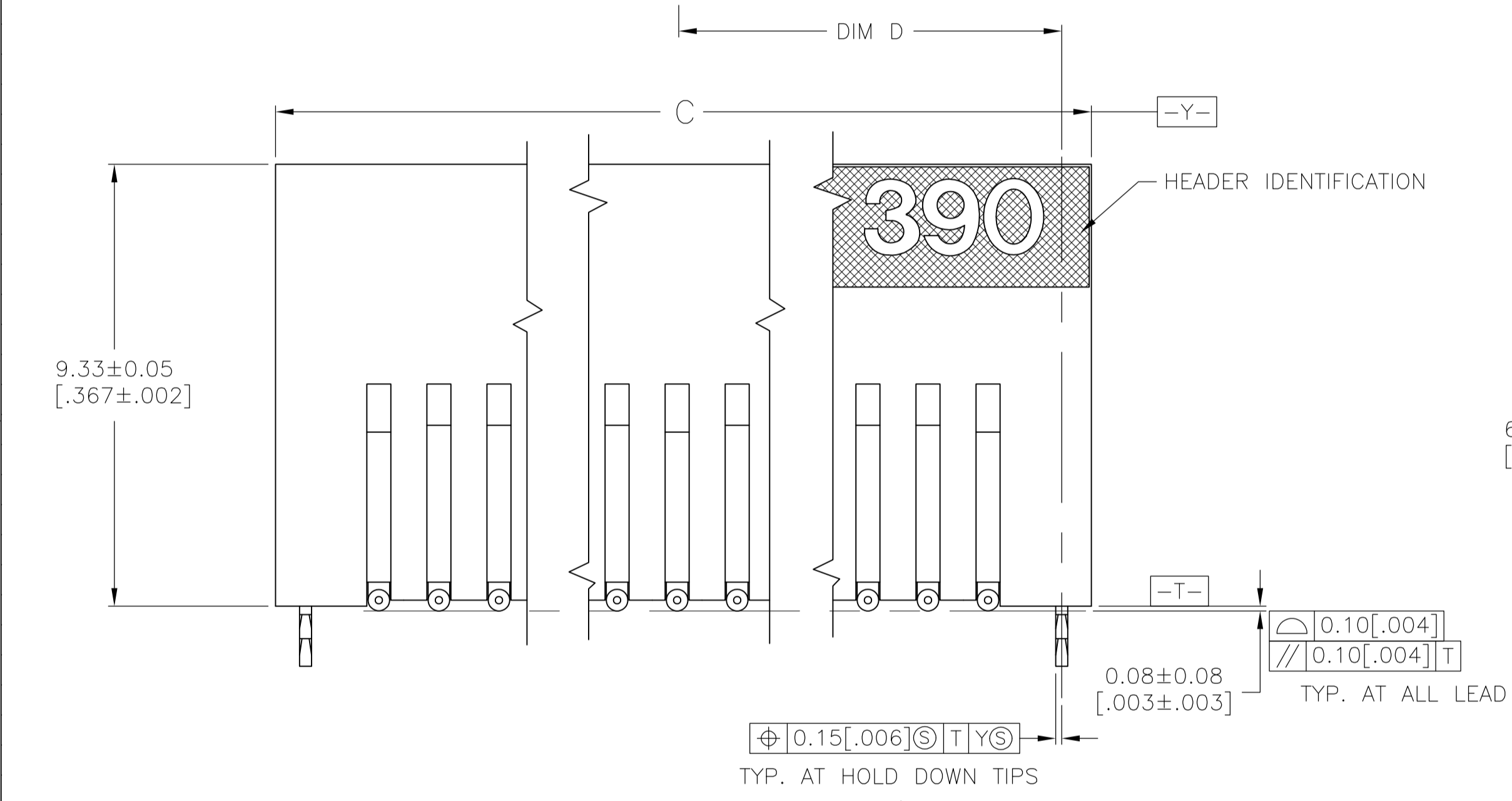
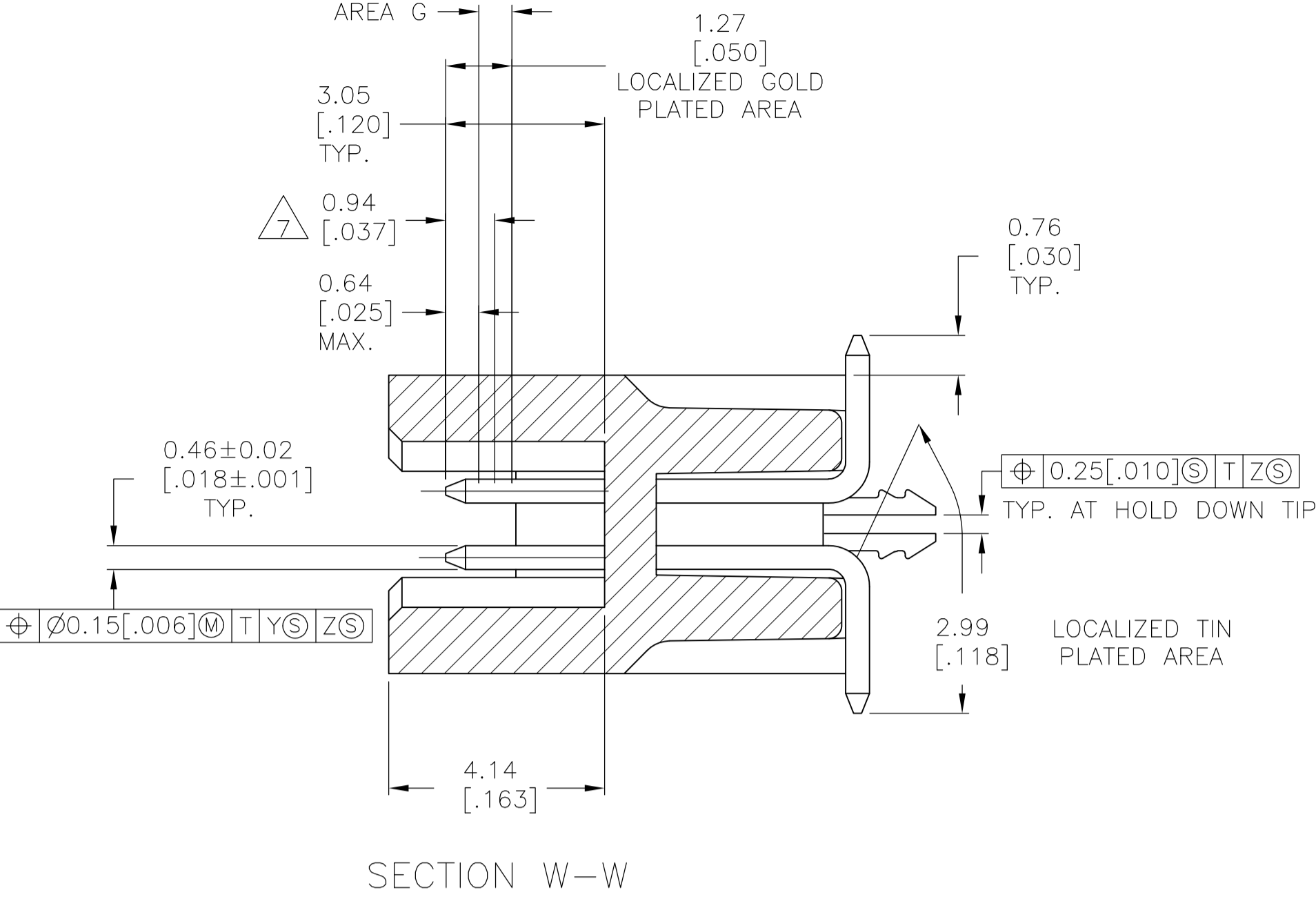
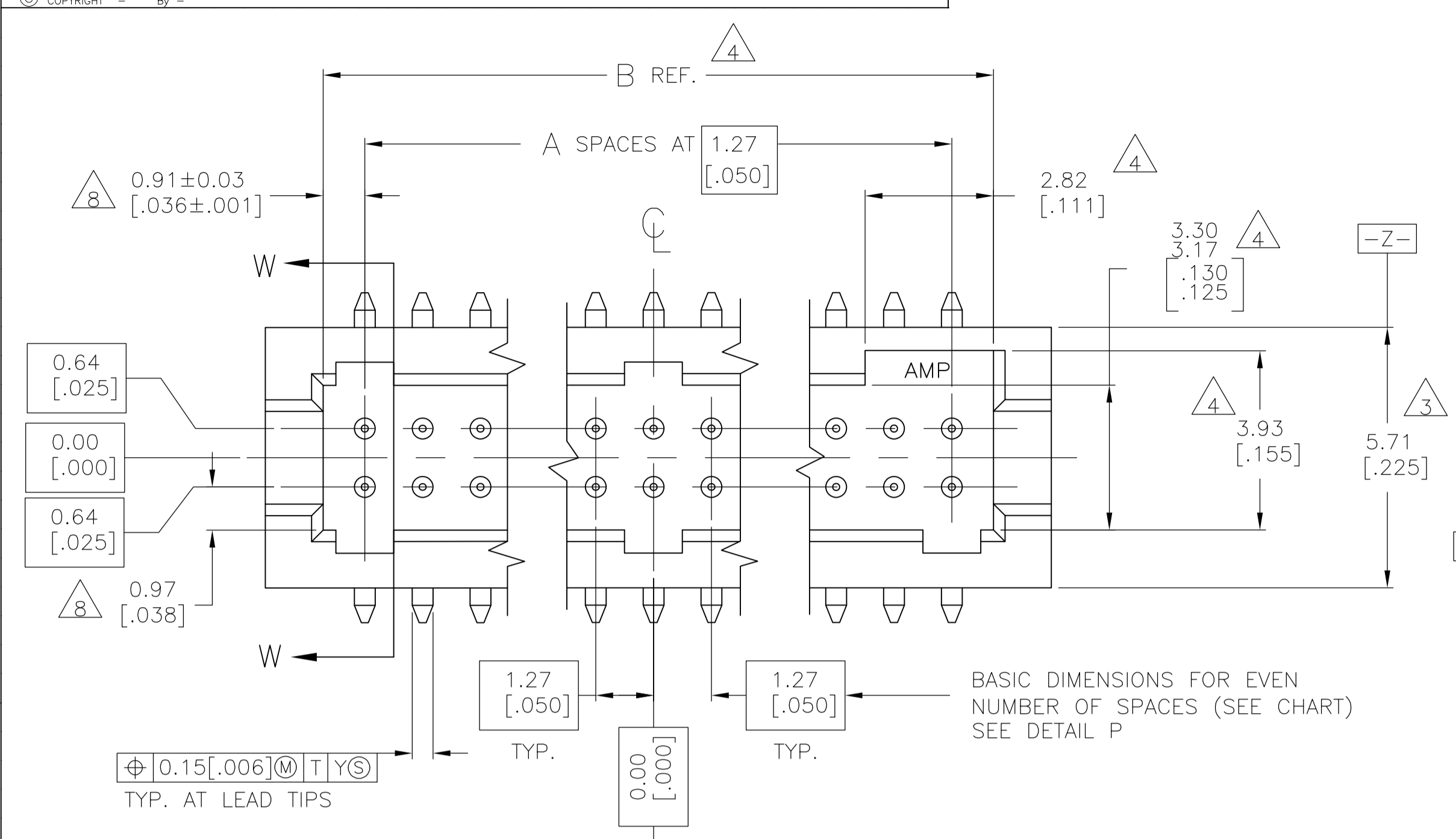


LOC	DIST	REVISIONS					
AD	00	F	LTR	DESCRIPTION	DATE	DWN	APVD
		L3		REVISED PER ECO-11-004587	11MAR11	RK	HMR



- 1 0.00076[.000030] GOLD AT POINT OF MEASUREMENT, 0.00051[.000020] MIN AT THE END POINTS OF AREA G, (LOCALIZED GOLD PLATE AREA), 0.0038[.000150] TIN-LEAD ON LOCALIZED TIN PLATED AREA, ALL OVER 0.0013[.000050] NICKEL
- 2 USE 1.32±0.02[.0520±.0010] DRILLED HOLE (#55 DRILL). FINISH TO BE TIN-LEAD OVER 0.02 [.001] MIN COPPER.
- 3 DIMENSION APPLIES AT BASE OF SHROUD.
- 4 THE NOTED DIMENSIONS APPLY AT THE MATING FACE OF THE HOUSING.
- 5 0.0038 [.000150] TIN-LEAD ON HOLD DOWN, ALL OVER 0.0013 [.000050] NICKEL.
- 6 IF PLANNING TO USE MORE THAN ONE MATING PAIR OF CONNECTORS TO INTERCONNECT 2 BOARDS, PLEASE REFER TO SPACING PARAGRAPH IN APPLICATION SPEC, #114-7010
- 7 POINT OF MEASUREMENT
- 8 DIMENSIONS NOTED APPLY FROM THE BASIC DIMENSION LINE (NOT THE CIRCUIT CAVITY CENTER LINE) TO THE SURFACE INDICATED.
- 9 0.00076 (.000030) GOLD AT POINT OF MEASUREMENT, 0.00051(.000020) MIN AT THE END POINTS OF AREA G (LOCALIZED GOLD PLATE AREA), 0.0038(.000150) TIN ON LOCALIZED TIN PLATED AREA, ALL OVER 0.0013(.000050) NICKEL.
- 10 USE 1.32±0.02(.0520±.0010) DRILLED HOLE (#55 DRILL) FINISH TO BE TIN OVER 0.02(.001) MIN COPPER.
- 11 0.0038 (.000150) TIN ON HOLDDOWN, ALL OVER 0.0013 (.000050) NICKEL
- 12 ROHS 2002/95/EC COMPLIANT.
- 13 OBSOLETE PARTS: OBSOLETE CIS STREAMLINING PER D.RENAUD/D.SINISI

		65.33	32.66	66.59	64.05			
		[2.572]	[1.286]	[2.622]	[2.522]	49	100	6-104693-0
		[2.322]	[1.161]	[2.372]	[2.272]	44	90	5-104693-9
		[2.072]	[1.036]	[2.122]	[2.022]	39	80	5-104693-8
		[1.822]	[.911]	[1.872]	[1.772]	34	70	5-104693-7
		[1.572]	[.786]	[1.622]	[1.522]	29	60	5-104693-6
		[1.322]	[.661]	[1.372]	[1.272]	24	50	5-104693-5
		[1.072]	[.536]	[1.122]	[1.022]	19	40	5-104693-4
		[.822]	[.411]	[.872]	[.772]	14	30	5-104693-3
		[.572]	[.286]	[.622]	[.522]	9	20	5-104693-2
		[.322]	[.161]	[.372]	[.272]	4	10	5-104693-1
		[2.572]	[1.286]	[2.622]	[2.522]	49	100	1-104693-0
		[2.322]	[1.161]	[2.372]	[2.272]	44	90	104693-9
		[2.072]	[1.036]	[2.122]	[2.022]	39	80	104693-8
		[1.822]	[.911]	[1.872]	[1.772]	34	70	104693-7
		[1.572]	[.786]	[1.622]	[1.522]	29	60	104693-6
		[1.322]	[.661]	[1.372]	[1.272]	24	50	104693-5
		[1.072]	[.536]	[1.122]	[1.022]	19	40	104693-4
		[.822]	[.411]	[.872]	[.772]	14	30	104693-3
		[.572]	[.286]	[.622]	[.522]	9	20	104693-2
		[.322]	[.161]	[.372]	[.272]	4	10	104693-1
FINISH		E	D	C	B	A	NUMBER OF POSITIONS	PART NUMBER

RECOMMENDED BOARD LAYOUT SCALE 5:1

THIS DRAWING IS A CONTROLLED DOCUMENT. KATE HELM 01AUG08 8/12/91

DIMENSIONS: mm [INCHES] TOLERANCES UNLESS OTHERWISE SPECIFIED: 0 PLC ± .015 [0.005] 1 PLC ± .010 [0.003] 2 PLC ± .010 [0.003] 3 PLC ± .010 [0.003] 4 PLC ± .010 [0.003] ANGLES ± .010 [0.003]

MATERIAL: INDUSTRY SPEC. ALUMINUM BRASS FINISH: BLACK ANNEAL HOLD DOWN: COPPER ALLOY

FINISH: SEE TABLE

WEIGHT: -

CUSTOMER DRAWING

SCALE 10:1 SHEET 1 OF 1 REV L3

STE TE Connectivity

NAME: D. GORENC 8/12/91

PRODUCT SPEC: 108-1332

APPLICATION SPEC: 114-7010

SIZE: A1

DRAWING NO: 104693

RESTRICTED TO: -

# Mouser Electronics

Authorized Distributor

Click to View Pricing, Inventory, Delivery & Lifecycle Information:

[TE Connectivity:](#)

[104693-6](#)