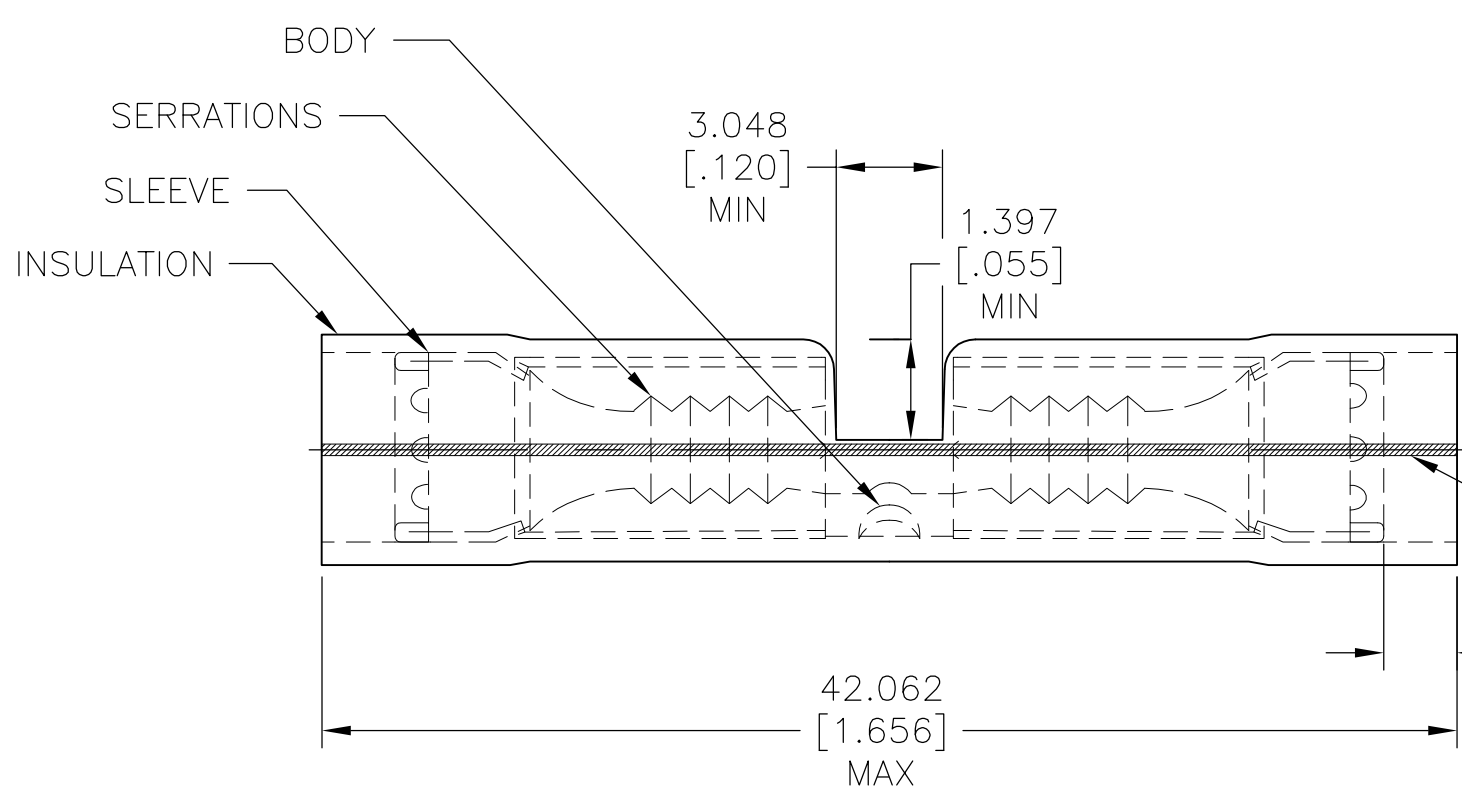


REVISIONS					
P	LTR	DESCRIPTION	DATE	DWN	APVD
	M	REV PER 0G3A-0582-04	31AUG04	JR	TM
	M1	REVISED PER ECO-17-007400	22NOV2017	RS	DR

AMP
WIRE RANGE

12-10 AWG
STRANDED

- 1 WIRE INSULATION $\phi 3.810[\phi.150]$ TO $\phi 5.588[\phi.220]$.
- 2 FINISH:
BODY AND SLEEVE: TIN/LEAD (93-7) PLATE PER ASTM B545.
(3% MIN LEAD CONTENT)
INSULATION: COLOR-NATURAL.
- 3 MATERIAL:
BODY AND SLEEVE: COPPER PER ASTM B152
INSULATION: PVF².



M7928/6-5 CLASS 1 & 2	500	LOOSE PIECE	53550-1
MILITARY PART NUMBER AND CLASS PER MIL-T-7928	QTY	PACKAGE TYPE	PART NO.

AMP INCORPORATED CUSTOMER SERVICE SYSTEMS		MAX RECOMMENDED OPERATING TEMPERATURE: 150°C[302°F]	THIS DRAWING IS A CONTROLLED DOCUMENT.		DWN S.S. GOULDEN 9-28-93	STE TE Connectivity			
FOR ADDITIONAL PRODUCT INFORMATION OR COPIES OF DRAWINGS AND TECHNICAL DOCUMENTS	PRODUCT INFORMATION CENTER 1-800-522-6752	VOLTAGE RATING: -	DIMENSIONS: mm [INCHES]	TOLERANCES UNLESS OTHERWISE SPECIFIED:	CHK R. HERSEY 9-28-93				
FOR APPLICATION TOOLING INFORMATION	TOOLING ASSISTANCE CENTER 1-800-722-1111	CIRCULAR MIL AREA: 2.62-6.64mm ² [5,180-13,100] STRANDED		0 PLC ± - 1 PLC ± - 2 PLC ± - 3 PLC ± 0.127[.005] 4 PLC ± - ANGLES ± -	APVD M ELLIS 9-28-93	APPLICATION SPEC 114-2157			
FOR ORDER ENTRY	1-800-526-5142	THIS DRAWING IS A CONTROLLED DOCUMENT FOR AMP INCORPORATED. IT IS SUBJECT TO CHANGE AND THE CONTROLLING ENGINEERING ORGANIZATION SHOULD BE CONTACTED FOR THE LATEST REVISION.	MATERIAL 3	FINISH 2	PRODUCT SPEC -	SIZE A3	CAGE CODE 00779	DRAWING NO C-53550	RESTRICTED TO -
					WEIGHT -	SCALE 1:1		SHEET 1 OF 1	REV M1

Mouser Electronics

Authorized Distributor

Click to View Pricing, Inventory, Delivery & Lifecycle Information:

[TE Connectivity:](#)

[53550-1](#)