

## D-SUB contact insert - VS-09-BU-DSUB-HD-EG - 1655108

Please be informed that the data shown in this PDF Document is generated from our Online Catalog. Please find the complete data in the user's documentation. Our General Terms of Use for Downloads are valid (<http://phoenixcontact.com/download>)



D-SUB contact insert, shell size 1, with 15 signal contacts, type of contact socket, with solder cup, straight, fixing with a 3 mm hole, for panel mounting frame VS-09-...



### Key Commercial Data

Packing unit	1 pc
Minimum order quantity	10 pc
Weight per Piece (excluding packing)	6.6 g
Custom tariff number	85366990
Country of origin	Germany

### Technical data

#### Mechanical characteristics

Number of positions	15
Connection profile	D-SUB 9
Insertion/withdrawal cycles	≥ 50
Connection method	Solder cup
Conductor cross section	0.34 mm <sup>2</sup>
Connection cross section AWG	22
Insertion force per signal contact	≤ 3.40 N
Mounting type	Hole

#### Ambient conditions

Ambient temperature (operation)	-55 °C ... 125 °C
---------------------------------	-------------------

#### Material data

Flammability rating according to UL 94	V0
Housing material	Steel, yellow chromated
Contact carrier material	Polyester GF

## D-SUB contact insert - VS-09-BU-DSUB-HD-EG - 1655108

### Technical data

#### Material data

Contact material	Copper alloy
Contact surface material	Hard gold-plated over nickel

#### Electrical characteristics

Number of positions	15
Rated current	3 A
Overvoltage category	III
Degree of pollution	2

#### Standards and Regulations

Flammability rating according to UL 94	V0
----------------------------------------	----

### Classifications

#### eCl@ss

eCl@ss 4.0	27140816
eCl@ss 4.1	27260701
eCl@ss 5.0	27260701
eCl@ss 5.1	27260701
eCl@ss 6.0	27260705
eCl@ss 7.0	27440309
eCl@ss 8.0	27440302
eCl@ss 9.0	27440205

#### ETIM

ETIM 2.0	EC000438
ETIM 3.0	EC000438
ETIM 4.0	EC000438
ETIM 5.0	EC001132

#### UNSPSC

UNSPSC 6.01	30211923
UNSPSC 7.0901	39121522
UNSPSC 11	39121522
UNSPSC 12.01	39121522
UNSPSC 13.2	39121522

### Approvals

#### Approvals

# D-SUB contact insert - VS-09-BU-DSUB-HD-EG - 1655108

## Approvals

---

Approvals

EAC / EAC / EAC

---

Ex Approvals

---

Approvals submitted

---

## Approval details

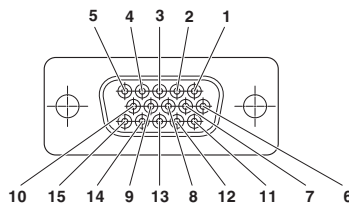
EAC

EAC

EAC

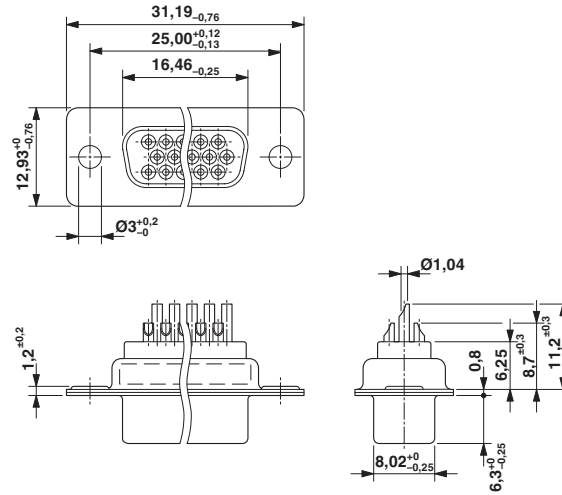
## Drawings

Schematic diagram



# D-SUB contact insert - VS-09-BU-DSUB-HD-EG - 1655108

Dimensional drawing



D-SUB contact insert

# Mouser Electronics

Authorized Distributor

Click to View Pricing, Inventory, Delivery & Lifecycle Information:

[Phoenix Contact:](#)

[1655108](#)