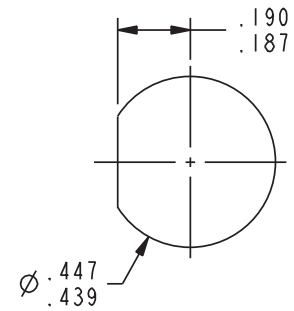


DATA CONTAINED IN THIS DOCUMENT IS PROPRIETARY TO EMERSON CONNECTIVITY SOLUTIONS AND SHALL NOT BE DISCLOSED, COPIED OR USED FOR PROMOTION OR MANUFACTURE WITHOUT EXPRESS WRITTEN PERMISSION

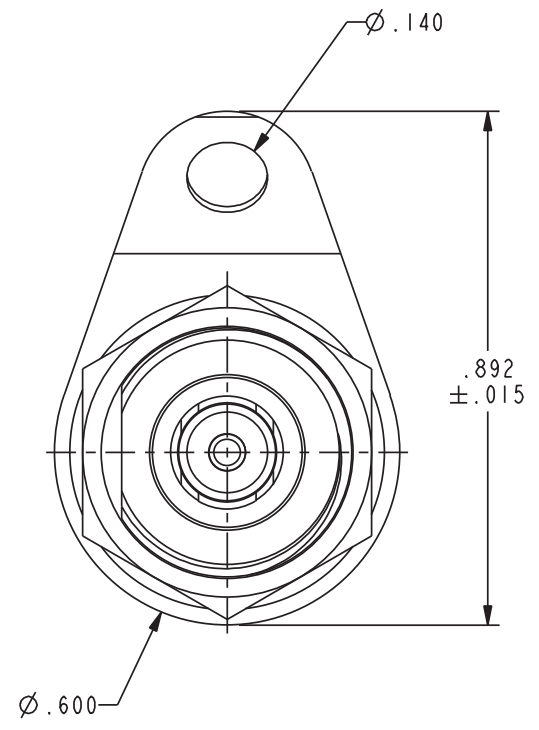
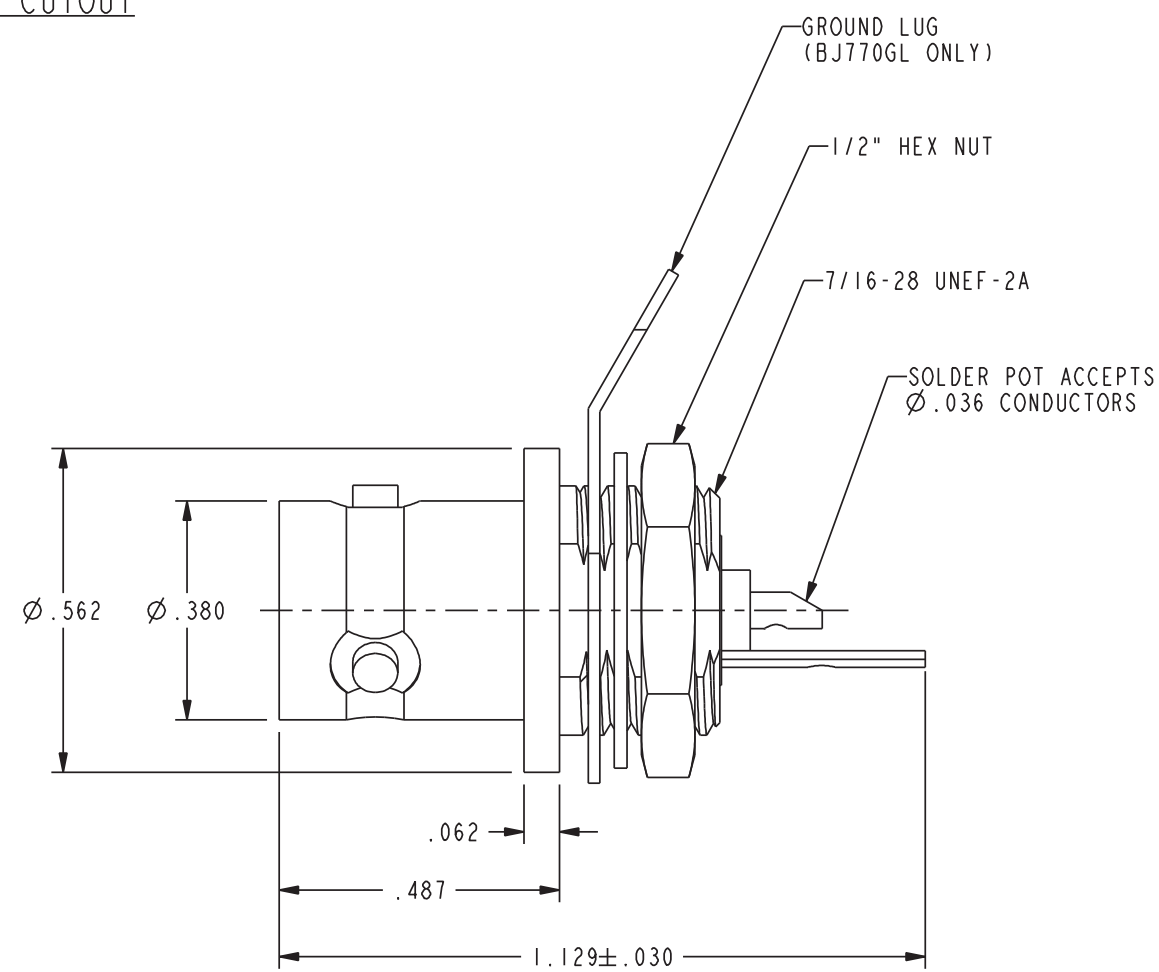
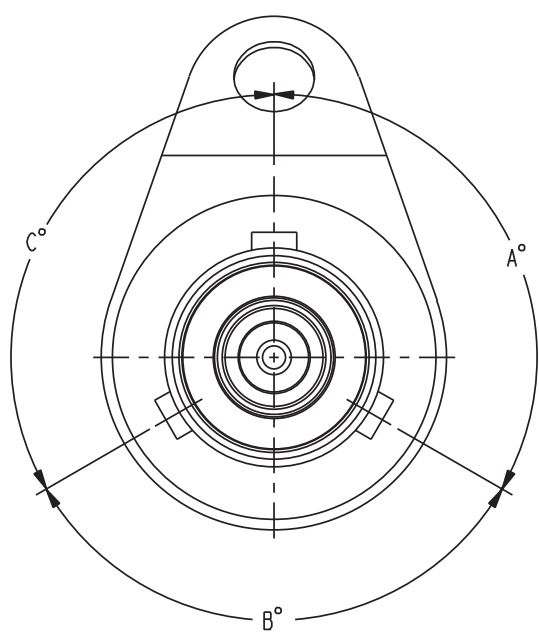
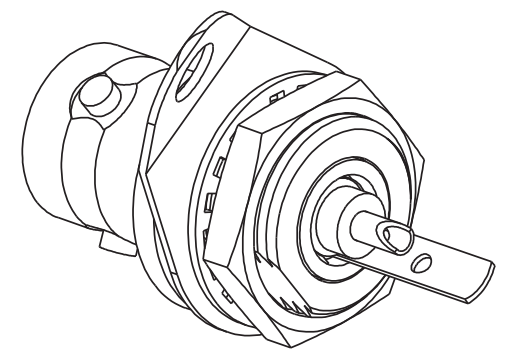
| REVISIONS | | | |
|-----------|--------------|---------|----------|
| REV | DESCRIPTIONS | DATE | APPROVED |
| J | ECO 54989 | 4/30/14 | P. KLYVE |

| KEYING LETTER | A° | B° | C° |
|---------------|-----|-----|-----|
| NONE | 120 | 120 | 120 |
| S | 135 | 135 | 90 |
| T | 100 | 150 | 110 |
| U | 120 | 130 | 110 |
| V | 115 | 130 | 115 |
| W | 125 | 110 | 125 |
| X | 130 | 100 | 130 |
| Y | 110 | 140 | 110 |
| Z | 100 | 160 | 100 |

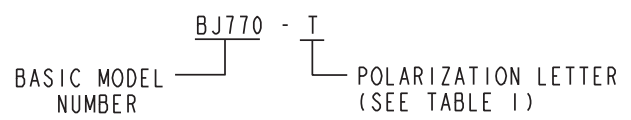
| MODEL NUMBER | INCLUDED ITEMS |
|--------------|---|
| BJ770 | CONNECTOR HEX NUT LOCK WASHER |
| BJ770GL | CONNECTOR HEX NUT LOCK WASHER GROUND LUG |



RECOMMENDED PANEL CUTOUT



4. EXAMPLE OF COMPLETE MODEL NUMBER:



3. MAXIMUM PANEL THICKNESS .125

2. SOCKET CONTACT CONCENTRIC TWINAX/
TRIAx TRB SOLDER POT BULKHEAD
MOUNT RECEPTACLE

1. FINISH: NICKEL

NOTES: UNLESS OTHERWISE SPECIFIED.

| | | | | | | |
|--|---------------|---|------------------|-------|---|-------------|
| INTERPRET DRAWING PER MIL-STD-100. DIMENSIONS ARE IN INCHES AND INCLUDE FINISH THICKNESS UNLESS OTHERWISE SPECIFIED. | | TOL: UNLESS SPECIFIED. .XX ± .01 .XXX ± .003 .XXXX ± .0010 ANGLE ± 1° 00' | | | Cinch Connectivity Solutions 299 Johnson Ave. Ste. 100 Waseca, MN 56093 1-800-247-8256 | |
| DRW | C. WALLACE | 5/1/14 | MATERIAL: | | TITLE: BJ770/S/T/U/V/ W/X/Y/Z | |
| CHK | P. KLYVE | 5/2/14 | FINISH: | SIZE | CAGE CODE | DRAWING NO. |
| QUALITY | | | | B | 14949 | C_3-0296 |
| MANUF | | | | SCALE | DATE | SHEET |
| APPROVED | C. MONAHAN | 2/14/12 | DO NOT SCALE DWG | 3/1 | 6/2/95 | 1 OF 2 |
| SURFACE AREA | PROJ FILE NO. | 3-0296 | | | | |

Mouser Electronics

Authorized Distributor

Click to View Pricing, Inventory, Delivery & Lifecycle Information:

[Cinch Connectivity Solutions:](#)

[BJ770](#)