

THIS DRAWING IS UNPUBLISHED.

RELEASED FOR PUBLICATION

20

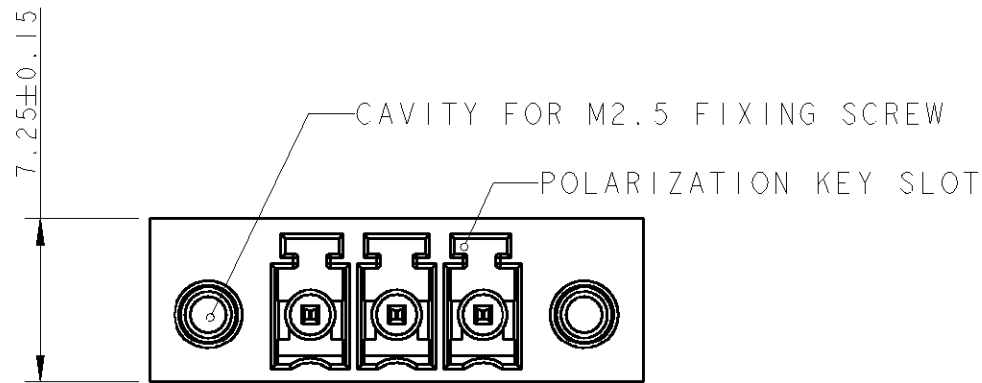
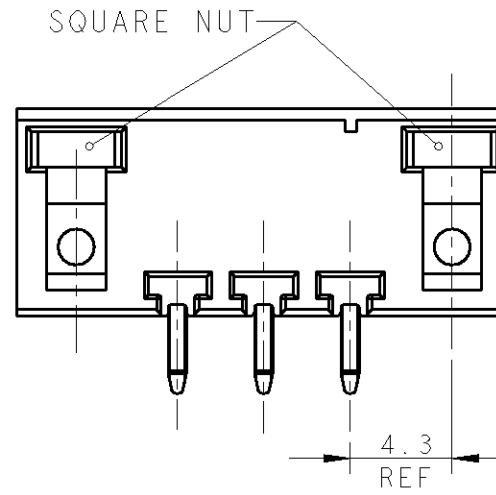
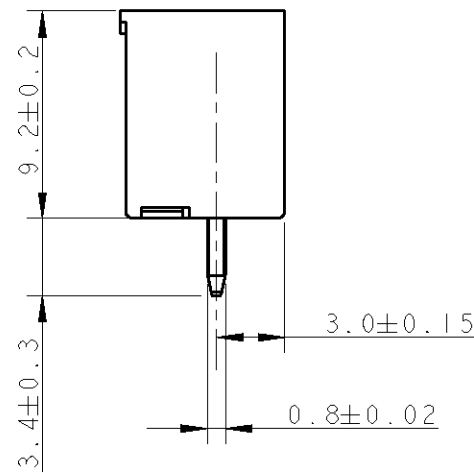
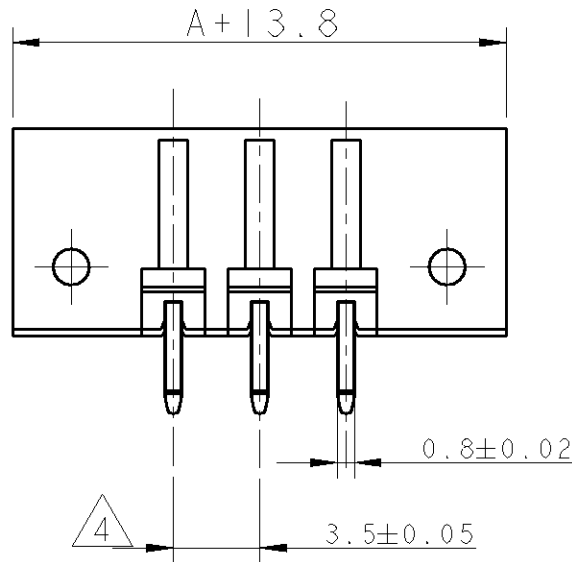
© COPYRIGHT - BY -

ALL RIGHTS RESERVED.

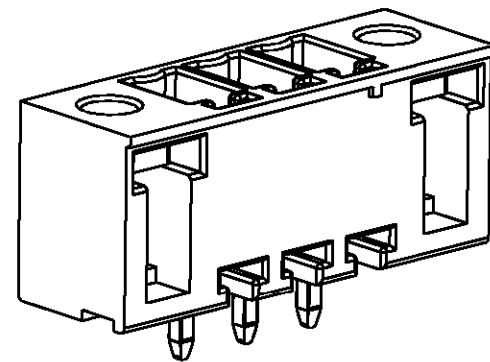
LOC FT DIST 0

REVISIONS

P	LTR	DESCRIPTION	DATE	DWN	APVD
	B1	REVISED PER ECO-11-005294	30APR11	RK	HMR



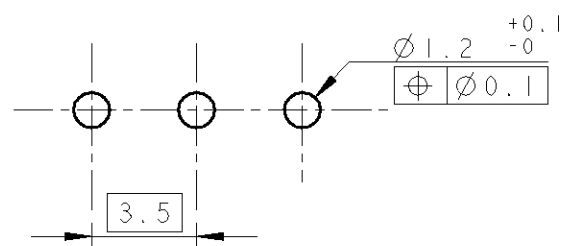
- 1 MATERIALS AND FINISH  
HOUSING : PA 6.6, UL 94-V0, COLOR GREEN  
TERMINAL : PHOSPHOR BRONZE, TIN PLATED
- 2 CONNECTOR ASSEMBLY INCLUDED 2 SQUARE NUTS LOADED IN CAVITY
- 3 SUITABLE FOR 1.6-2.4 mm. PC BOARD THICKNESS
- 4 NOT CUMULATIVE TOLERANCE



284516-3 AS SHOWN

77.0	23	2-284516-3
73.5	22	2-284516-2
70.0	21	2-284516-1
66.5	20	2-284516-0
63.0	19	1-284516-9
59.5	18	1-284516-8
56.0	17	1-284516-7
52.5	16	1-284516-6
49.0	15	1-284516-5
45.5	14	1-284516-4
42.0	13	1-284516-3
38.5	12	1-284516-2
35.0	11	1-284516-1
31.5	10	1-284516-0
28.0	9	284516-9
24.5	8	284516-8
21.0	7	284516-7
17.5	6	284516-6
14.0	5	284516-5
10.5	4	284516-4
7.0	3	284516-3
3.5	2	284516-2
DIM A	NO OF POS	PART NUMBER

RECOMMENDED PC BOARD LAYOUT



DWN 06FEB2002 EZ		TE Connectivity	
CHK 06FEB2002 E. ZANOLINI			
APVD 06FEB2002 D. BIEVENOUR		NAME	
PRODUCT SPEC 108-20166		TERMINAL BLOCK, HEADER ASSEMBLY STRAIGHT, 3.5mm PITCH WITH THREADED FLANGE	
APPLICATION SPEC 114-20079		SIZE	RESTRICTED TO
MATERIAL		CAGE CODE	
FINISH		DRAWING NO	
WEIGHT		A3 00779	©=284516
CUSTOMER DRAWING		SCALE	SHEET OF REV
		3:1	1 OF 1 B1

# Mouser Electronics

Authorized Distributor

Click to View Pricing, Inventory, Delivery & Lifecycle Information:

[TE Connectivity:](#)

[284516-4](#)