

4

3

2

1

THIS DRAWING IS UNPUBLISHED.  
VERTRAULICHE UNVERÖFFENTLICHTE ZEICHNUNG

RELEASED FOR PUBLICATION  
FREI FUER VERÖFFENTLICHUNG

MATED WITH:  
PASSEND ZU:

LOC  
AI

DIST

REVISIONS  
ÄNDERUNGEN

© COPYRIGHT 2000

BY AMP INCORPORATED.

ALL RIGHTS RESERVED.  
ALLE RECHTE VORBEHALTEN

HEE.32

PROJEKT NR.:

B2

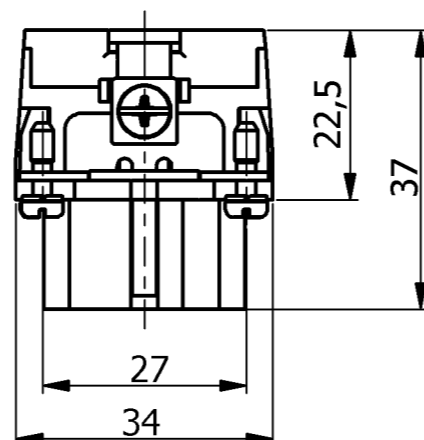
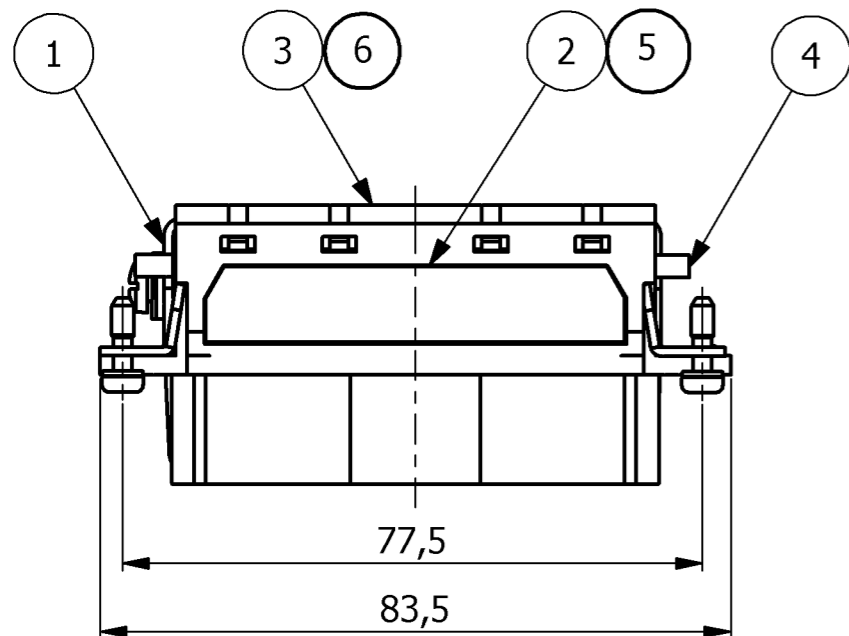
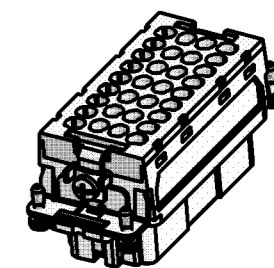
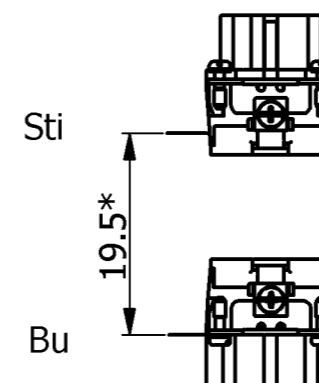
REVISI  
DESCRIPTION  
BESCHREIBUNG

DATE

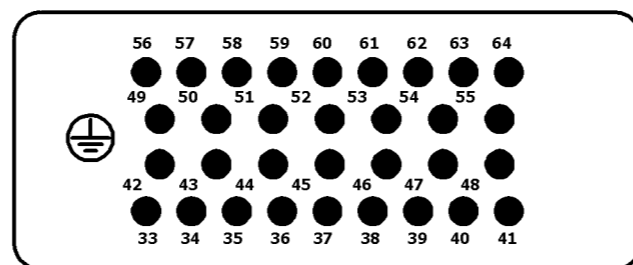
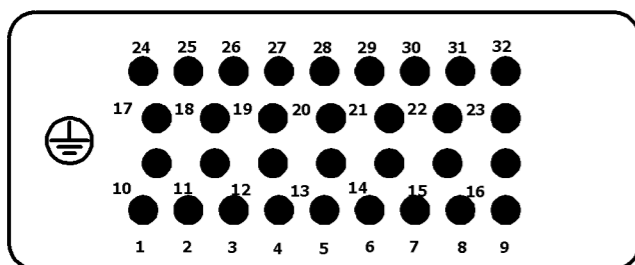
DWN

APVD

\* distance for guaranteed  
contact 21 mm max.



Contact arrangement view from termination side  
PN 0-1; 0-3

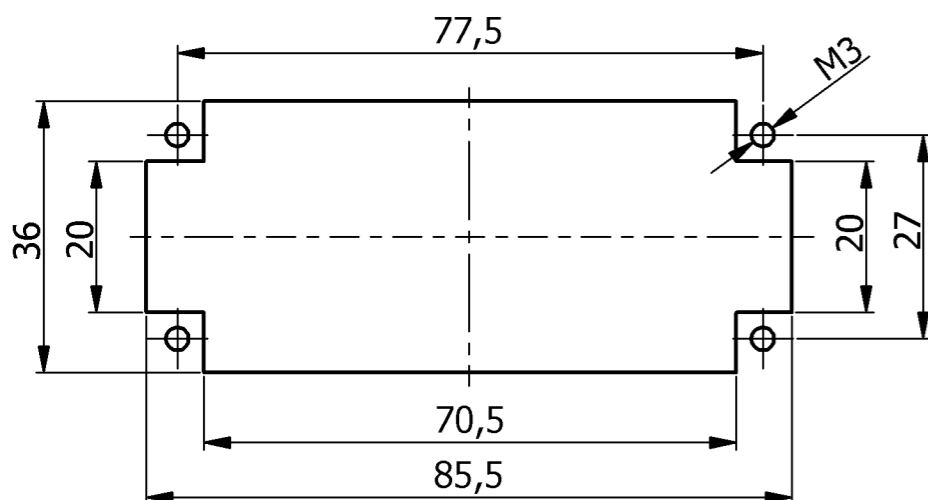


Notes,

- 1 Material: LCP-GF
- 2 Material, insert: PC-GF20
- 3 Material, cover: PC-GF20
- 4 Packacking: 10 pieces

OBSOLETE

Panel cut-out for contact insert  
when used without housing



PN	DESCRIPTION	MATERIAL	SURFACE	COLOR	ITEM
1	Cover HEE32-FS	LCP-GF-30		NATURE	6
1	Female insert HEE.32-FS	LCP-GF-30		NATURE	5
1	1 Protection angle contact socket		zink plated	blue	4
1	1 COVER HEE.32	PC-GF20 (B1)	-	LIGHT-GREY	3
1	1 FEMALE INSERT HEE.32	PC-GF20 (B1)	-	LIGHT-GREY	2
1	1 Protection angle contact socket with mounting		zink plated	blue	1

PARTS LIST					
0-3	0-2	0-1	HEE.32.Bu.C B1-32		
HEE.32.Bu.C B33-64					
HEE.32.Bu.C B1-32-FS					

<small>THIS DRAWING IS A CONTROLLED DOCUMENT FOR AMP INCORPORATED. IT IS SUBJECT TO CHANGE AND THE CONTROLLING ENGINEERING ORGANIZATION SHOULD BE CONTACTED FOR THE LATEST REVISION. DIESES ZEICHNUNGSDOKUMENT WIRD DURCH AMP INCORPORATED KONTROLLIERT. ÄNDERUNGEN, DIE DEM TECHNISCHEN FORTSCHRITT DIENEN, SIND VORBEHALTEN. DEN JEWELIGEN LETZTGÜLTIGEN ÄNDERUNGSSTAND ERFAHREN SIE AUF ANFRAGE.</small>		DWN 08.12.2004 <b>SCHNEIDER</b> CHK 08.12.2004 M.SCHWEIGER			
DIMENSIONS: DIMENSIONEN: mm		TOLERANCES UNLESS OTHERWISE SPECIFIED: ALLGEMEINTOLERANZEN		NAME <b>FEMALE INSERT HEE.32.BU.C</b>	
		n. ISO 8015 n. ISO 2768 - mH - E n. DIN 16901 - 140		PRODUCT SPEC PRODUKTSPEZ. <b>108-74045</b>	
MATERIAL		FINISH / OBERFLÄCHE / FARBE		APPLICATION SPEC VERARBEITUNGSSPEZ. <b>114-74060</b>	
		WEIGHT GEWICHT		SIZE A3 CAGE CODE 00779 DRAWING NO ZEICHNUNGS-NR. <b>1102896</b>	
CUSTOMER DRAWING / KUNDENZEICHNUNG				RESTRICTED TO NUR FUER -	
				SCALE MASSSTAB 1:1	
				SHEET BLATT 1 OF 1 REV <b>B2</b>	

# Mouser Electronics

Authorized Distributor

Click to View Pricing, Inventory, Delivery & Lifecycle Information:

[TE Connectivity:](#)

[1102896-1](#)