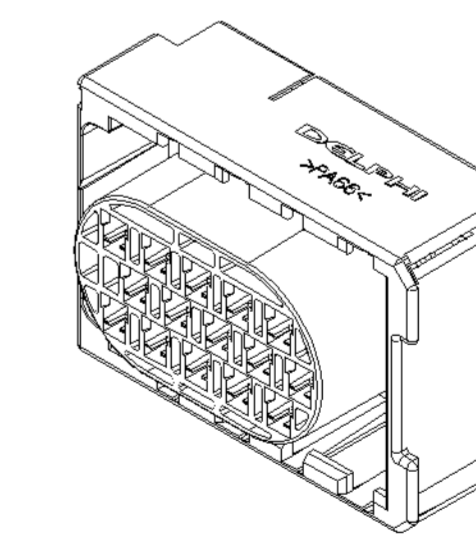
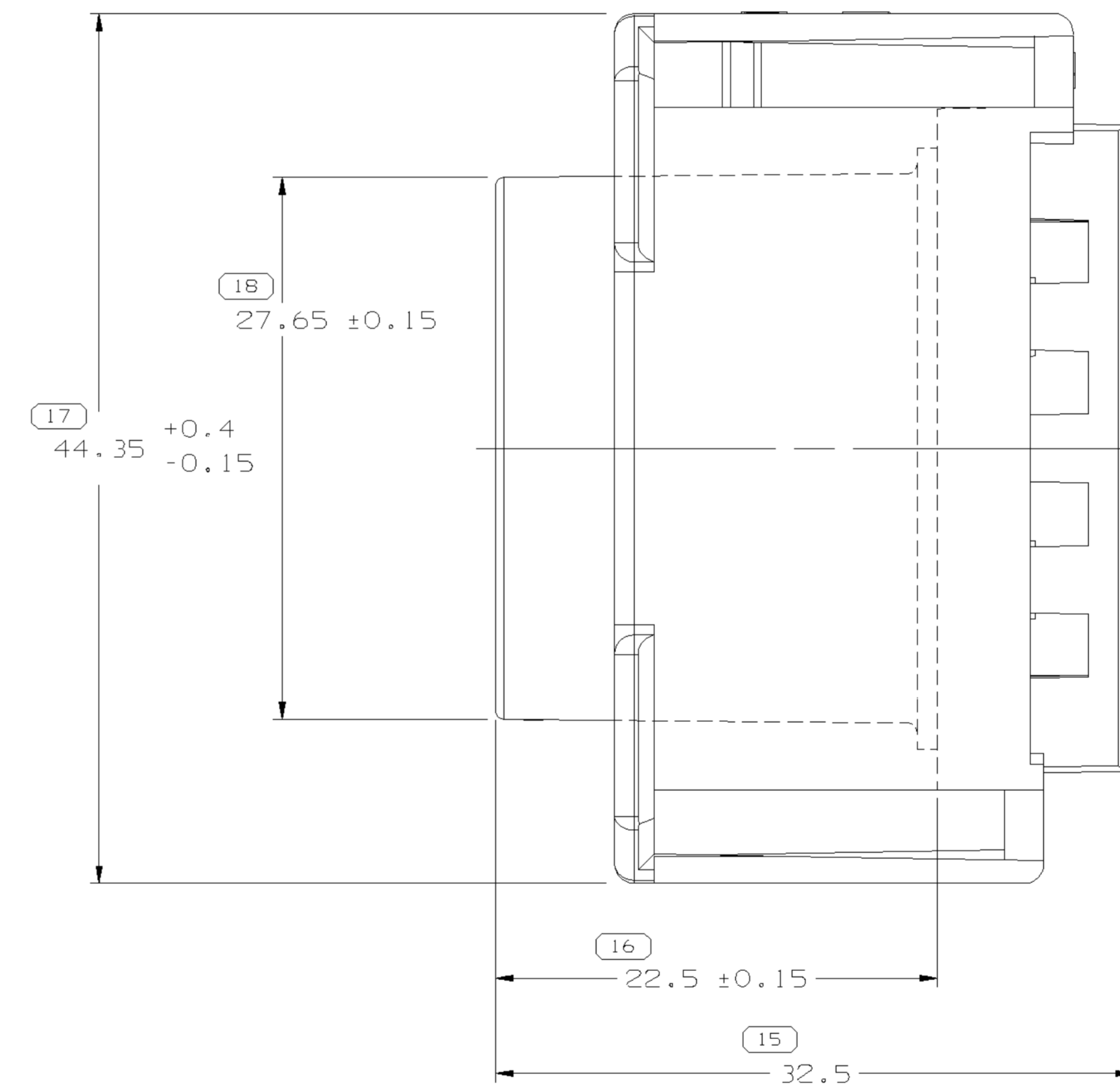
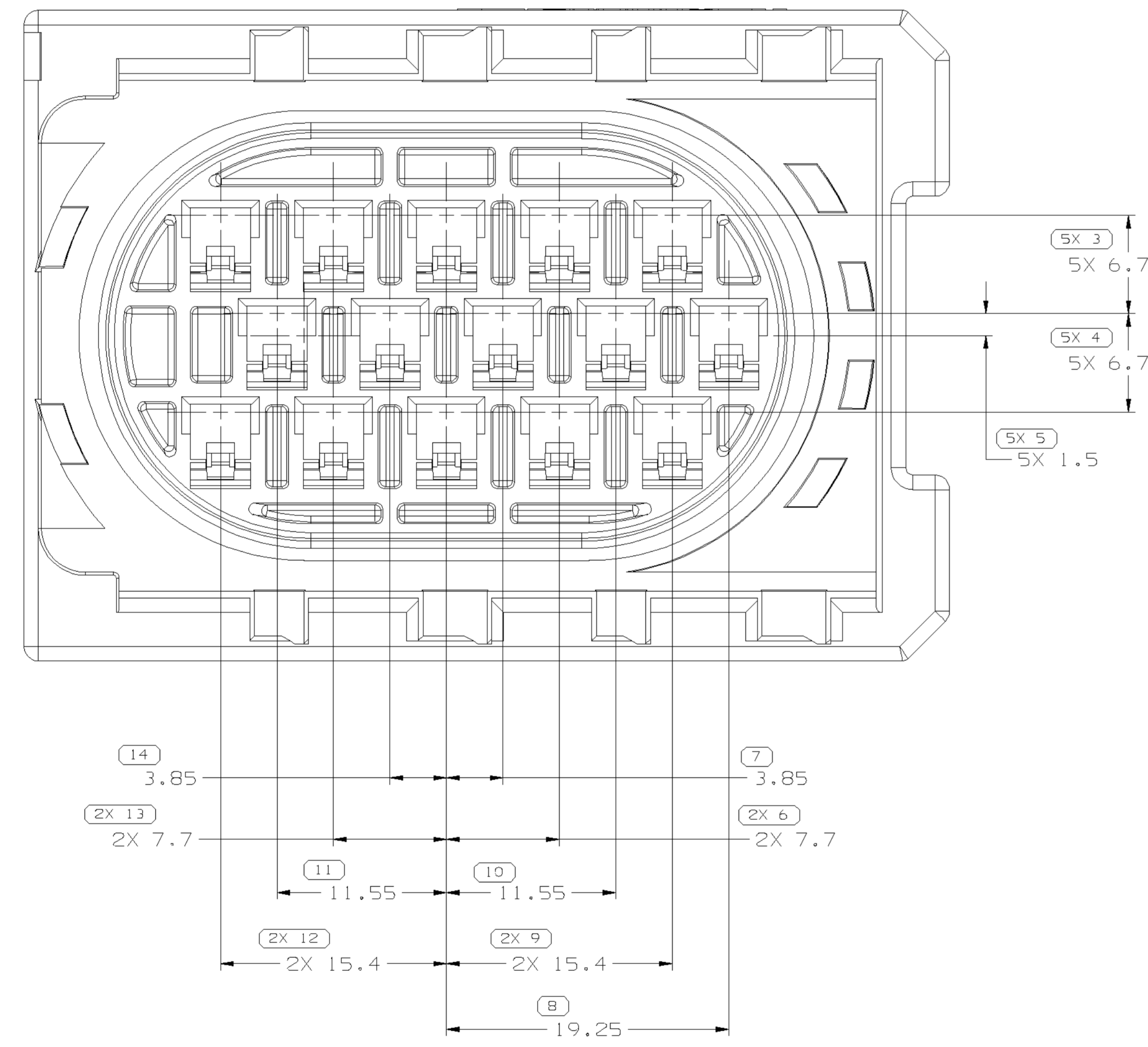
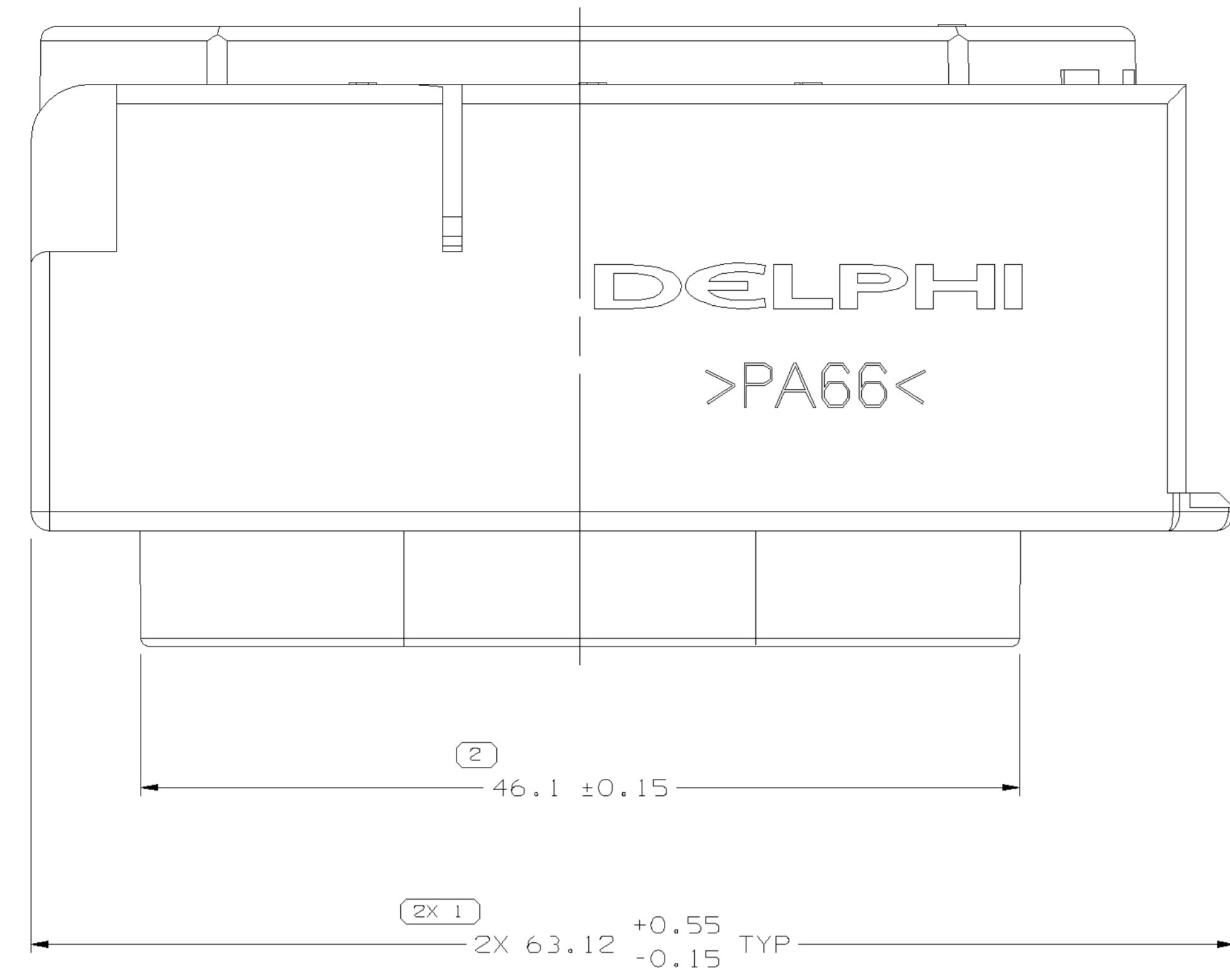


SYMBOL DEFINITION		MISSING SYMBOLS		DWG STATUS		REVISION HISTORY		AUTH		DR		CK		APVD	
A DIMENSION WITHOUT AN INSPECTION REPORT SYMBOL DOES NOT REQUIRE INSPECTION. IT MAY BE CONTROLLED ON THE INDIVIDUAL COMPONENT DRAWING.		TOTAL NO OF INSPECTIONS REQUIRED	NO MISSING SYMBOL NUMBER	DATE	STG	REV	CHG	N/P	ZONE	REVISION HISTORY	000009	RCH	RCH	RC	RC
		35		05DE01	R	D1	-	-		REDRAWN TO PD					
		LAST NO. USED													
			18												



NOTES

- UNLESS OTHERWISE SPECIFIED AND/OR INDICATED: DIMENSIONS ARE TO FACE OF VIEW SHOWN AND AUTOMATICALLY ROUNDED BY COMPUTER FOR INSPECTION (SEE MATH MODEL FOR PRECISE DIMENSIONS). FOR ALL OTHER DIMENSIONS NOT SHOWN BUT REQUIRED FOR TOOL BUILD, SEE MATH MODEL FOR PRECISE TOOL PATH DATA.
- MATING COMPONENTS OR EQUIVALENT:
CONNECTOR 12161187
TERMINAL 12110853, 12110846
SECONDARY TERMINAL LOCK 12110782
MAX CABLE OD 3.85
CONNECTOR SEAL 12110822
CABLE SEAL: SEE DETAIL DRAWING 12010295 FOR COMPATIBLE OD RANGE
- THIS PART ACCEPTS THE FOLLOWING COMPONENTS OR EQUIVALENT:
SLIDE 12161185
- THIS PART IS NOT CONTROLLED FOR AUTOMATIC FEEDING

DELPHI
Automotive Systems

MATERIAL SPEC
R0071754 PA66 HS 1M-BLK

SUBSTANCES OF CONCERN AND RECYCLED CONTENT PER DELPHI-A 10949001

PART DRAWING		DISTR CODE	
CODE NUMBER 6900,6901	DWG DATE 25NO92	SCALE 4:1	D
OC SPEC	STYLE	VOLUME cm ³ 24.117	

PART GEOMETRY
3D SOLID

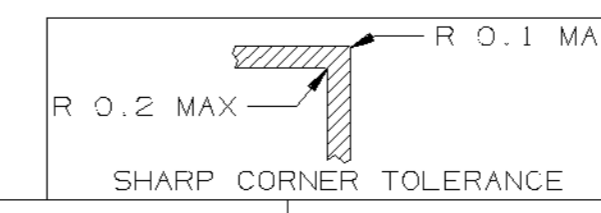
UNLESS OTHERWISE SPECIFIED:
THIS DOCUMENT IS IN ACCORDANCE WITH ASME Y14.5M - 1994 AS AMENDED BY THE GM GLOBAL DIMENSIONING AND TOLERANCING ADDENDUM - 1997. ALL GEOMETRIC TOLERANCES AND RELATED DATUMS APPLY RFS. RULE #1 (PERFECT FORM AT MMC) DOES NOT APPLY WHEN RELATIONSHIP BETWEEN FEATURES IS ESTABLISHED BY ORIENTATION OR LOCATION TOLERANCES. SEPARATE POSITION CALLOUTS MAY BE GAGED SEPARATELY REGARDLESS OF DATUM REFERENCES.

COPY OF MATH DATA DO NOT SCALE	REFERENCE	DR	DATE
		APVD1 R. CHACON	05DE01
		APVD2 R. CHACON	05DE01
		APVD3 R. CORZAS	06DE01
		APVD4	
		APVD5	

METRIC
UNLESS OTHERWISE SPECIFIED, ALL DIMENSIONS ARE IN MILLIMETERS

THIRD ANGLE PROJECTION

DRAWING NAME
CONN 15F M/P 280 FLXK SLD



DIMENSIONAL RANGE (MM)		CHART E1	
FROM	TO	TOLERANCE UNLESS OTHERWISE SPECIFIED	ANGULAR TOLERANCE ± 2'
0	> 20	±0.15	
> 20	> 30	±0.2	
> 30	> 70	±0.3	
> 70	> 100	±0.4	
> 100	> 150	±0.5	
> 150	> 200	±0.6	
> 200	> 250	±0.8	
> 250	> 300	±1	
> 300	> 400	±1.2	

(15) PROCESS SENSITIVE DIMENSION

DIMENSIONS ENCLOSED IN () INDICATE INTERFERE DIMENSIONS AND NO TOLERANCE LIMITS ARE ESTABLISHED

SHEET NUMBER		DRAWING NUMBER		DWG STATUS		SIZE	
1	OF 1	12161186		R	DI	-	A0

Mouser Electronics

Authorized Distributor

Click to View Pricing, Inventory, Delivery & Lifecycle Information:

[Aptiv:](#)

[12161186](#)