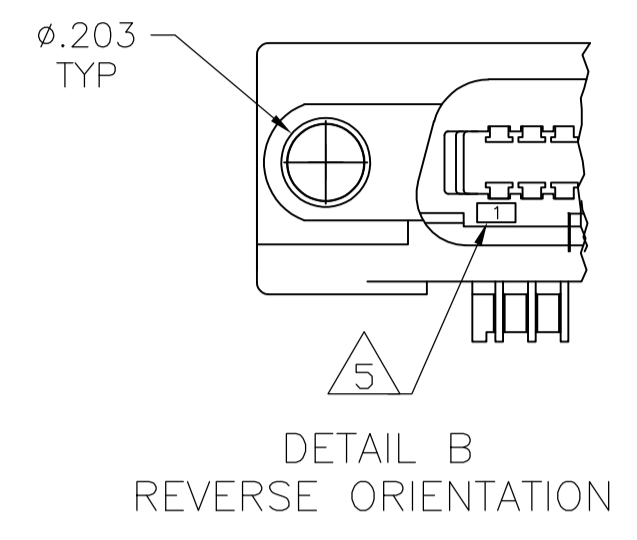
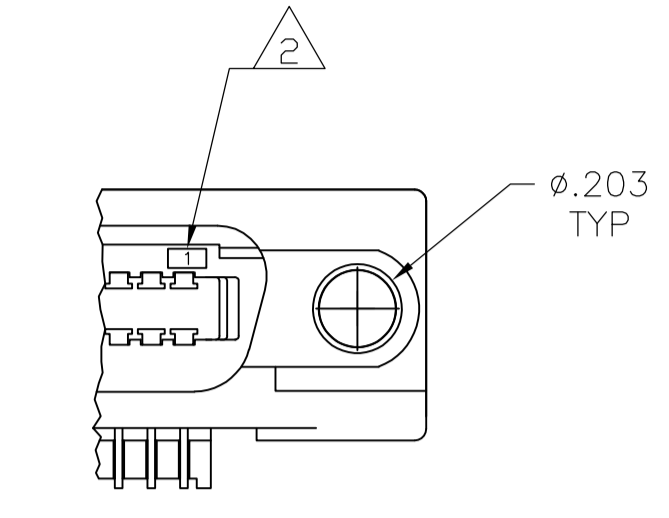


SUGGESTED PRINTED CIRCUIT BOARD MOUNTING DIMENSIONS

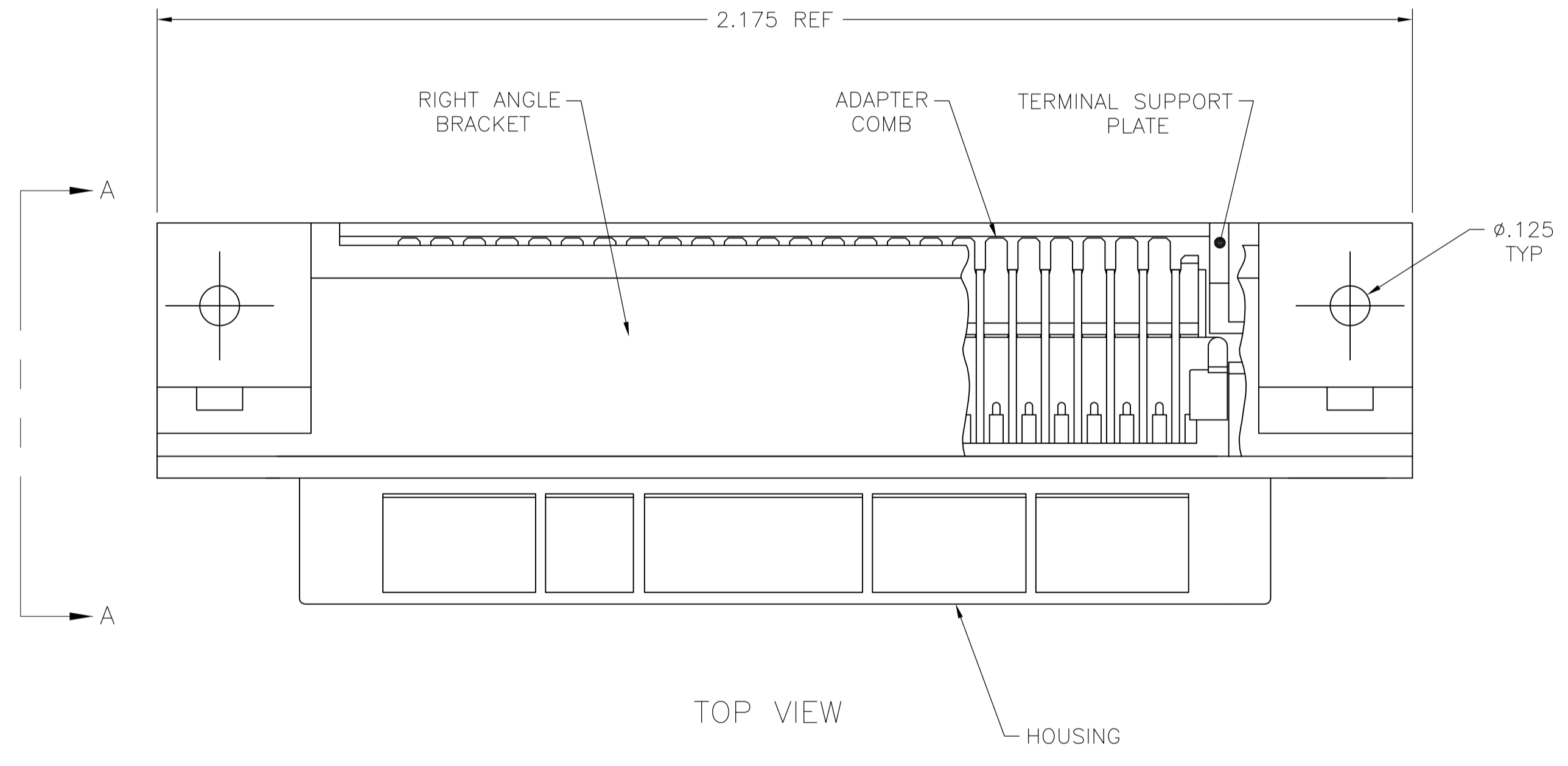


DETAIL B
REVERSE ORIENTATION

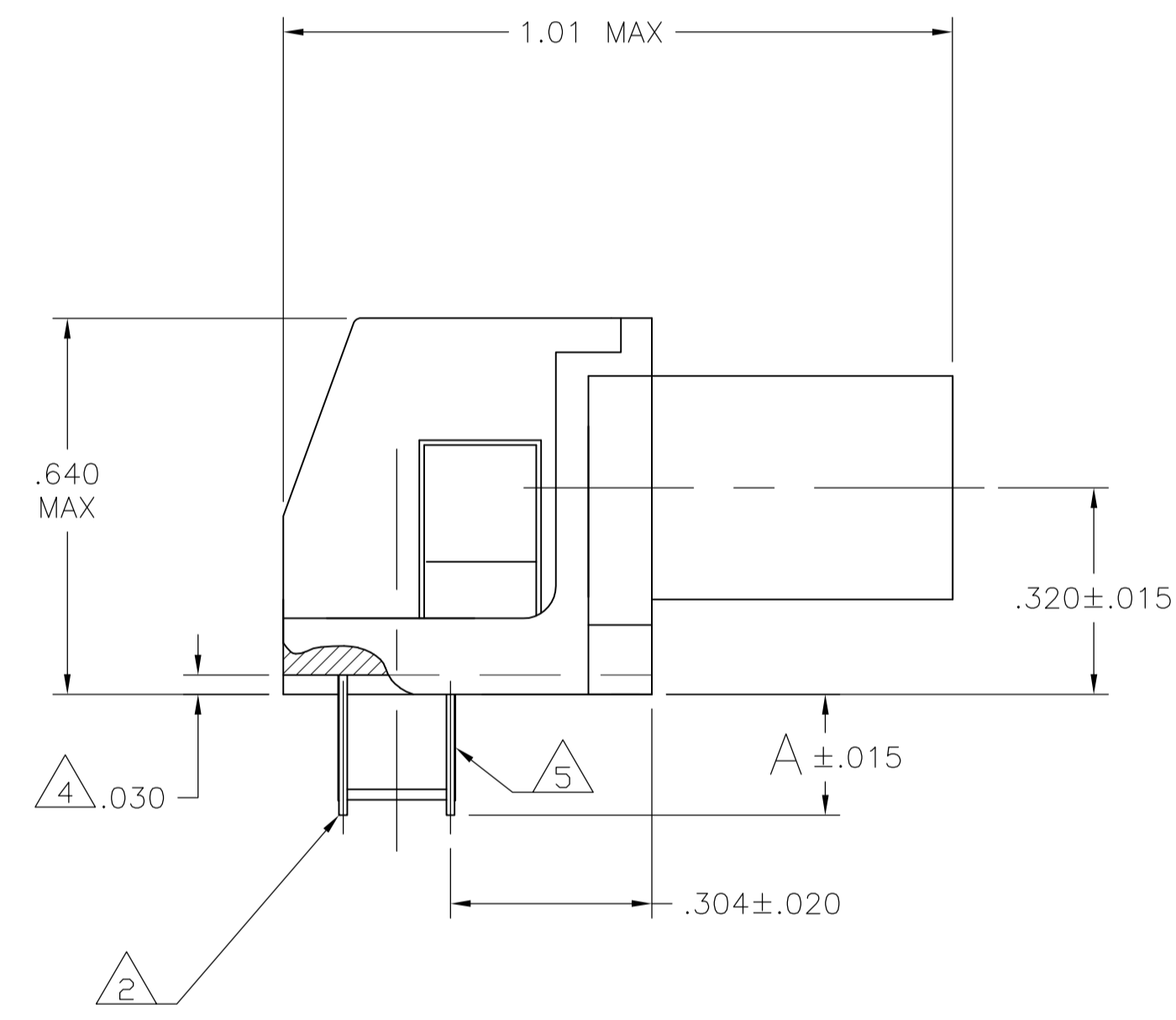


DETAIL A
STANDARD ORIENTATION

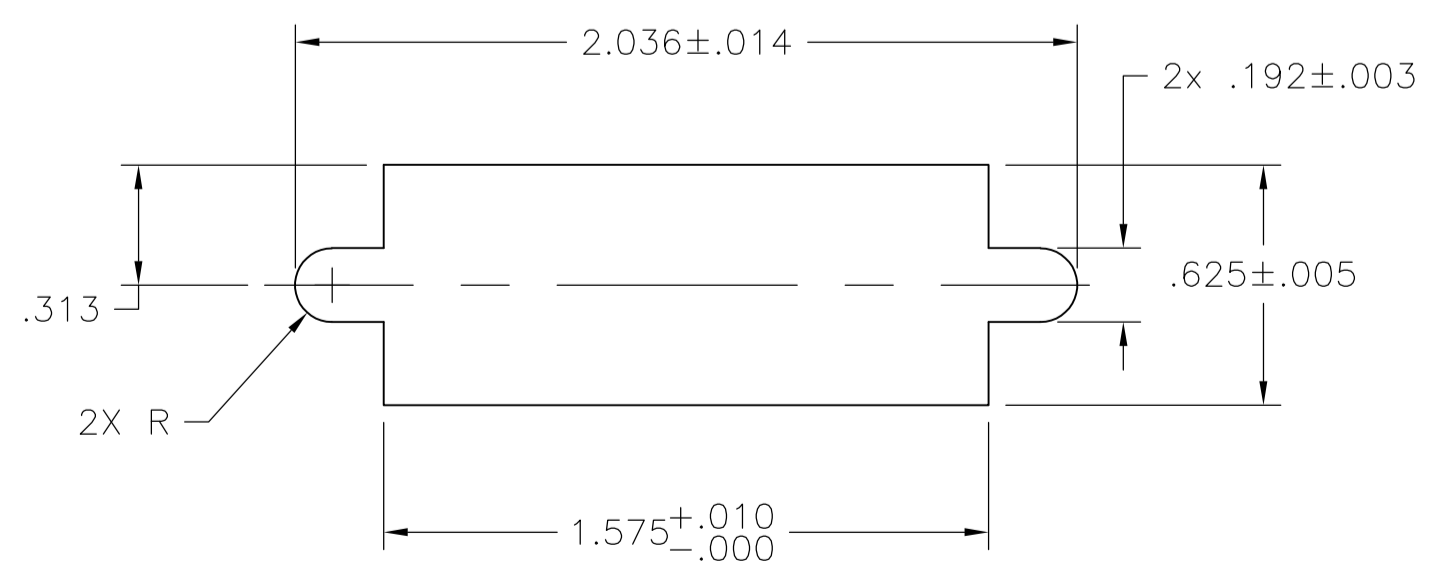
- 1 MATERIAL:
HOUSING, RIGHT ANGLE BRACKET, ADAPTER COMB & SUPPORT PLATE – THERMOPLASTIC, BLACK.
TERMINALS – HIGH STRENGTH COPPER ALLOY PLATED WITH EITHER .000030 MIN GOLD PLATE OR GOLD FLASH OVER PALLADIUM NICKEL PLATE, .000030 MIN TOTAL ON MATING SURFACE. .000120 MIN TIN PLATE ON TAILS. ALL OVER .000050 MIN NICKEL UNDERPLATE OVER ENTIRE TERMINAL.
- 2 TERMINAL 1 IS LOCATED IN THIS ROW FOR STANDARD ORIENTATION, SEE DETAIL A.
- 3 PANEL THICKNESS RANGE: .125 MAX.
- 4 SUPPORT PLATE CLEARANCE FOR TERMINAL STRAIN RELIEF AND FLUX REMOVAL.
- 5 TERMINAL 1 IS LOCATED IN THIS ROW FOR REVERSE ORIENTATION, SEE DETAIL B.



TOP VIEW



SIDE VIEW A-A



PANEL CUTOUT DIMENSIONS
FOR REAR PANEL MOUNTING
FOR METRIC HARDWARE

| | | |
|------|--------------|-------------|
| .092 | SEE DETAIL B | 5553121-3 |
| .187 | SEE DETAIL B | 5553121-2 |
| | SEE DETAIL A | 5553121-1 |
| A | DESCRIPTION | PART NUMBER |

| | | | | |
|--|--------|---------------------------|-----------------|--------------------|
| THIS DRAWING IS A CONTROLLED DOCUMENT. DIMENSIONING AND TOLERANCING PER ASME Y14.5M-2009 | | DIN 15113 MCMASER 18AUG05 | TE Connectivity | |
| DIMENSIONS: INCHES | | CHK W. MILLHIMES 18AUG05 | NAME | |
| TOLERANCES UNLESS OTHERWISE SPECIFIED: | | APP'D M. WALMSEY 18AUG05 | PRODUCT SPEC | |
| 0 PLC | ± - | APPLICATION SPEC | | |
| 1 PLC | ± - | SIZE | | |
| 2 PLC | ± - | CAGE CODE | | |
| 3 PLC | ± .005 | DRAWING NO | | |
| 4 PLC | ± - | WEIGHT | | |
| ANGLES | ± - | A1 00779 C=5553121 | | |
| MATERIAL | FINISH | CUSTOMER DRAWING | | RESTRICTED TO |
| 1 | 1 | SCALE 2:1 | | SHEET 1 OF 1 REV C |

Mouser Electronics

Authorized Distributor

Click to View Pricing, Inventory, Delivery & Lifecycle Information:

[TE Connectivity:](#)

[5553121-1](#)