



3L12 SERIES 1/2" DISC MANUAL RESET ROLLOUT LIMIT CONTROLS

Manual Reset Flame Rollout Limit Switches Designed for Safety in Gas Fired Furnaces, Unit Heater and Roof-Top Units

FEATURES

- Loose ring, stainless steel mounting brackets.
- 1/4" quick connect terminations. 90° orientation to mounting holes.
- Manual reset.
- Stainless steel disc cup (A1 disc cup for 3L12-301).

SPECIFICATIONS

Single pole, single throw
Open on temperature rise
Electrical Ratings

Resistive 15A @ 120 VAC, 10A @ 240 VAC
Inductive 3.0 FLA, 12.0 LRA @ 120 VAC; 1.5 FLA, 6.0LRA @ 240 VAC
Pilot Duty 125 VA

Dimensions

3L12-301 Length (1.18"), case width (.81"), height (.83")
Others Length (1.70"), case width (.81"), height (.83")

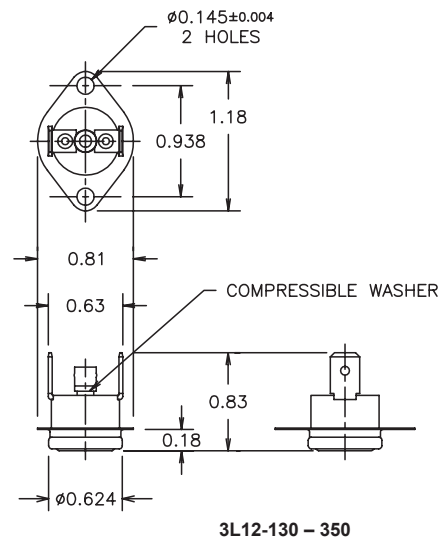
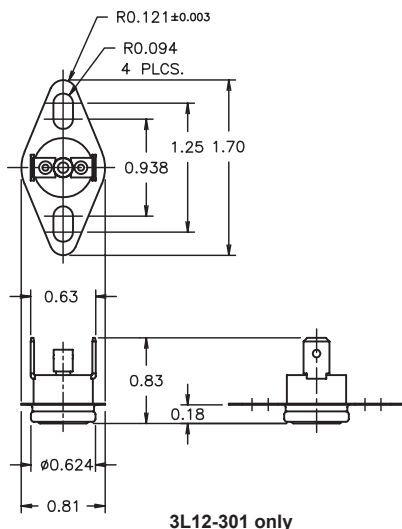
Weight 0.2 oz.

Agency UL Recognized File #E19279
CSA Certified File Number LR77886/LR109556
VDE Lic. 118631

NEW SERIES!

Model Number	Fixed Temperature Settings		Switch	Therm-O-Disc	
	Cut-in	Cut-out	Action	Style	Type
3L12-130	Manual Reset	130	Open on Rise	36TX16	611863
3L12-135		135	Open on Rise	36TX16	611864
3L12-220		220	Open on Rise	36TX16	611865
3L12-230		230	Open on Rise	36TX16	611866
3L12-240		240	Open on Rise	36TX16	611867
3L12-250		250	Open on Rise	36TX16	611868
3L12-260		260	Open on Rise	36TX16	611869
3L12-300		300	Open on Rise	36TX16	611870
3L12-350		350	Open on Rise	36TX16	611871
3L12-301*		300	Open on Rise	36TX16	611971

*Specifically designed for ICP part #1013102



Mouser Electronics

Authorized Distributor

Click to View Pricing, Inventory, Delivery & Lifecycle Information:

[White-Rodgers:](#)

[3L12-220](#) [3L12-260](#) [3L12-135](#) [3L12-130](#) [3L12-250](#) [3L12-230](#) [3L12-240](#) [3L12-301](#) [3L12-350](#) [3L12-300](#)