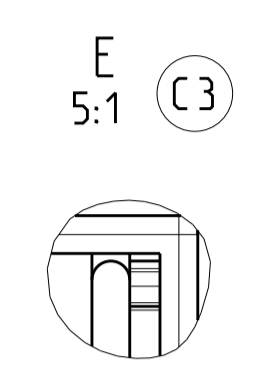
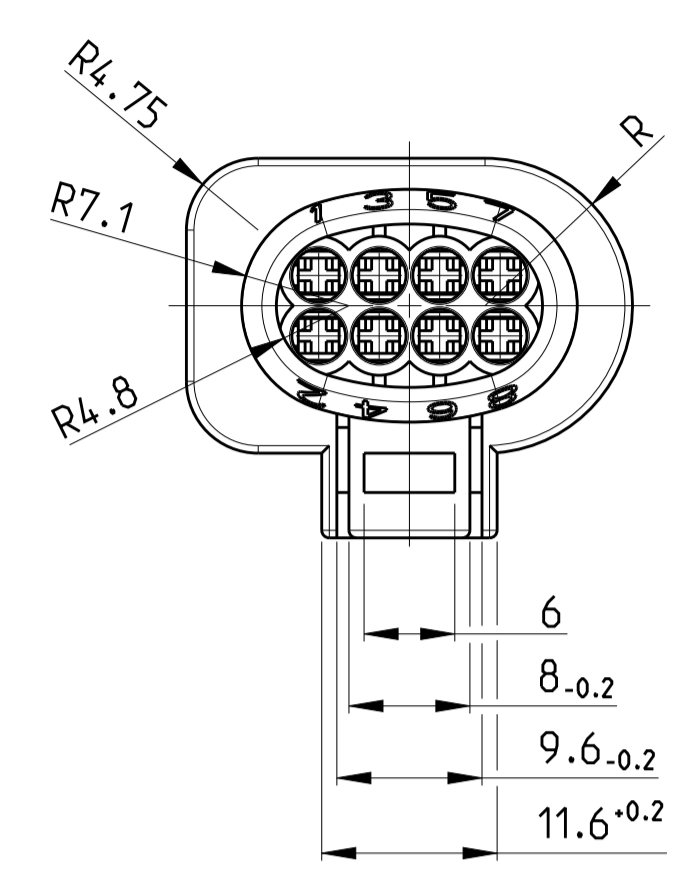
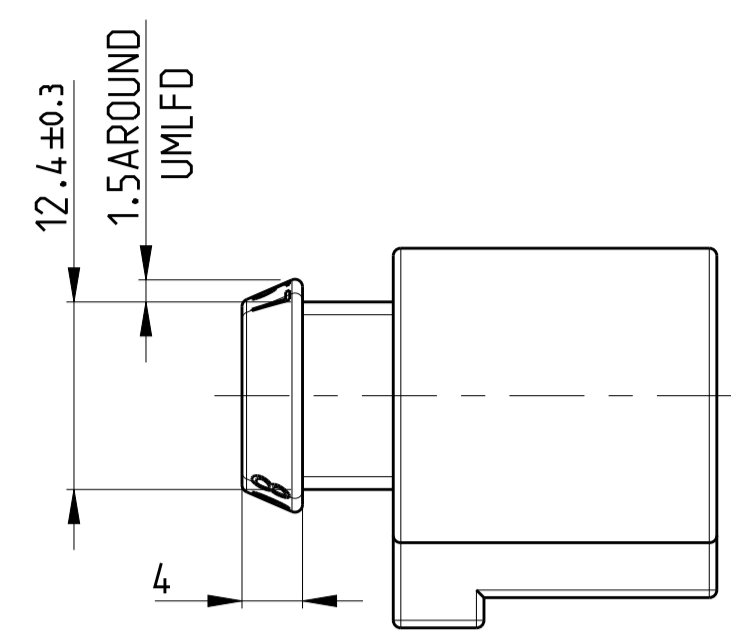
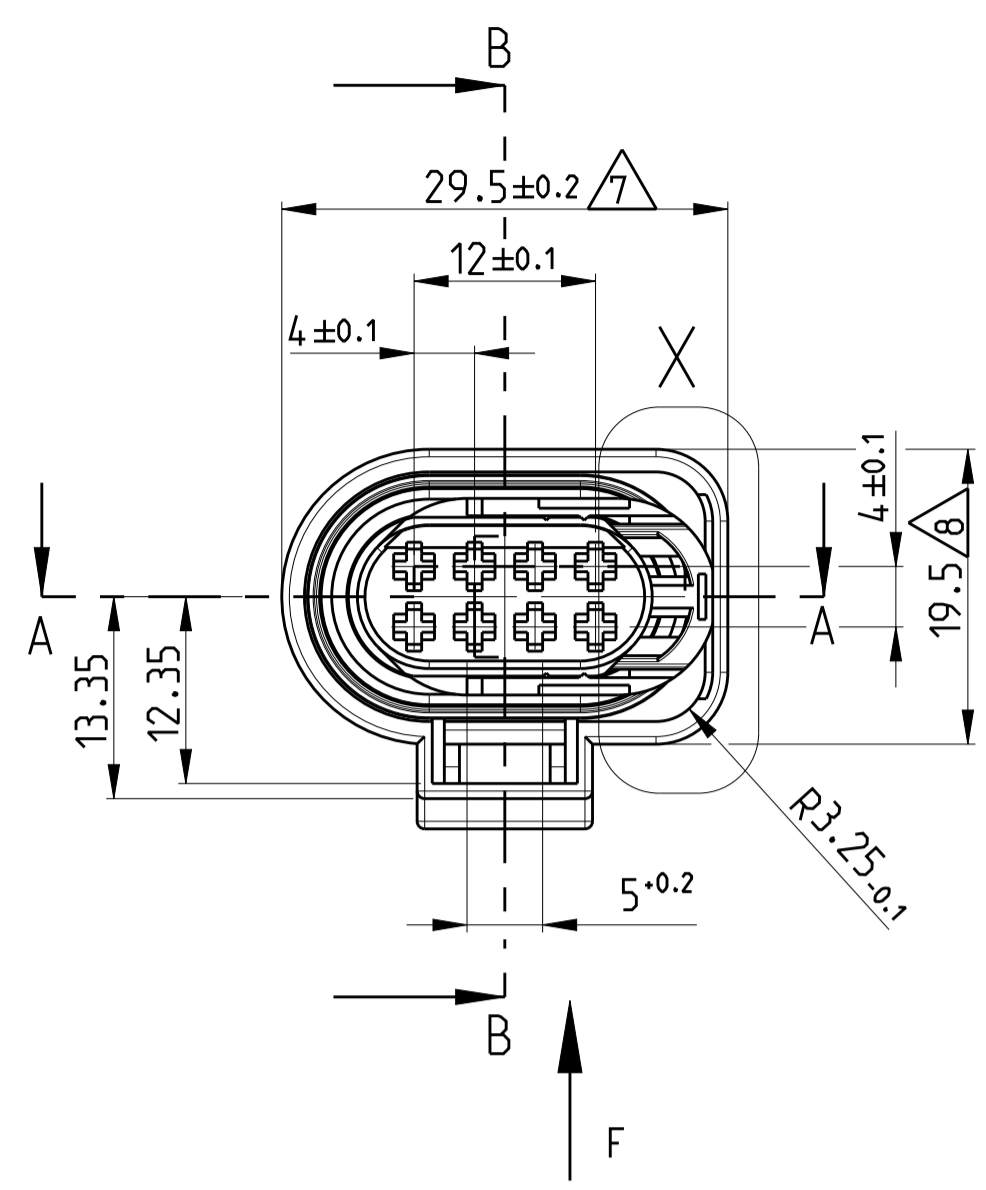
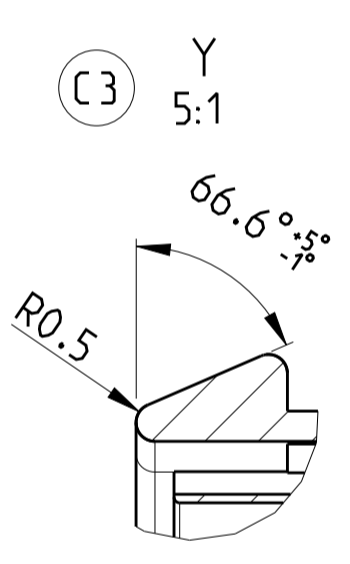
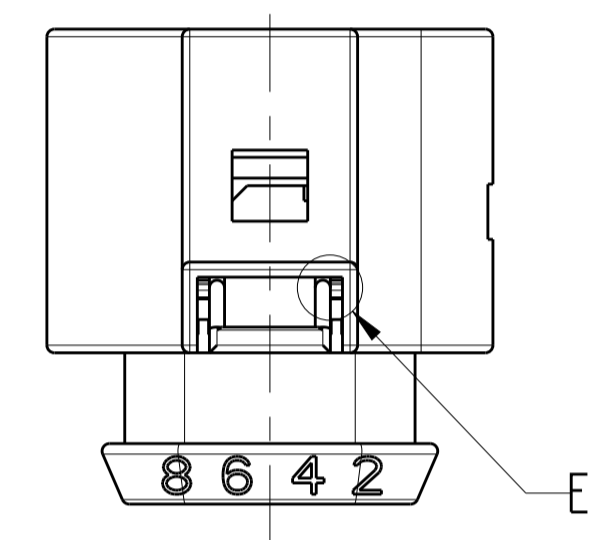
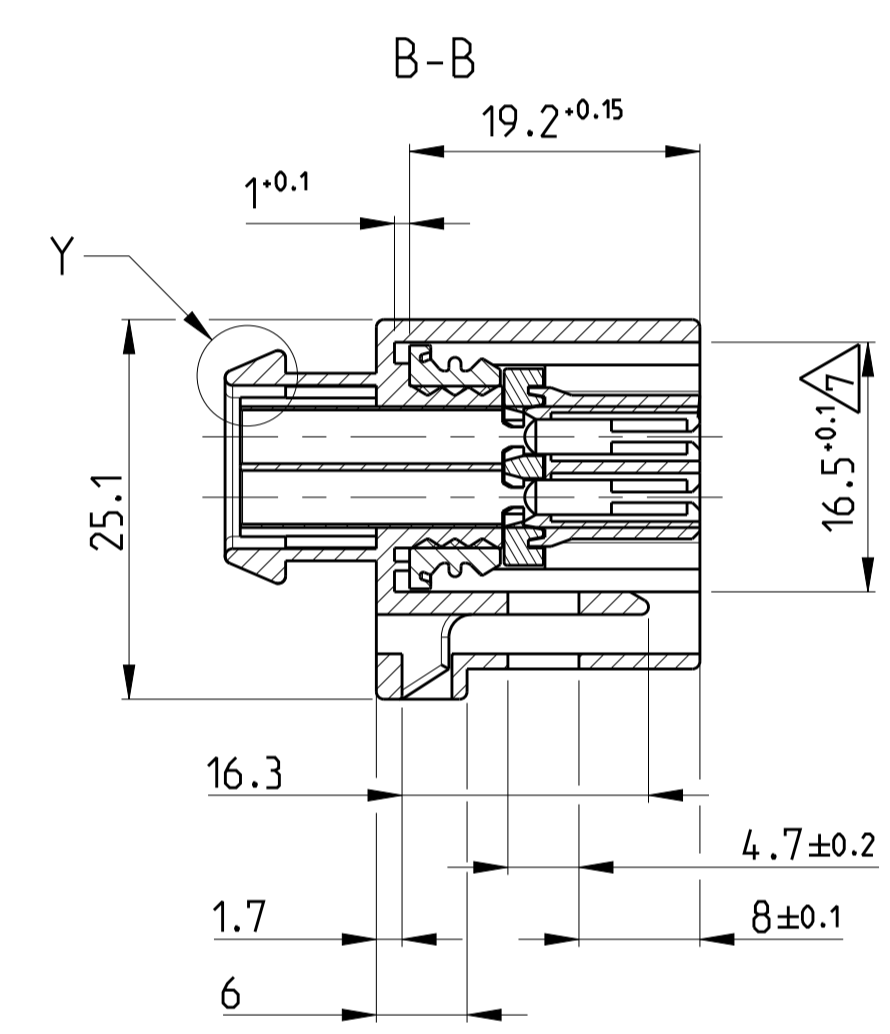
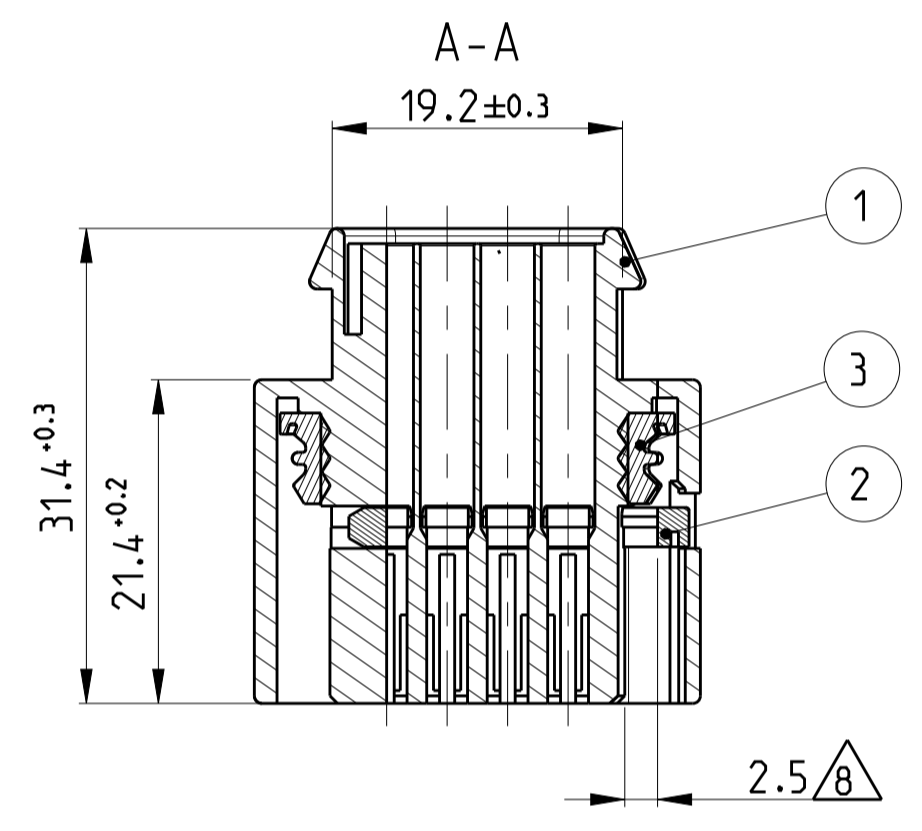


PROJECT NO. A97-52429		REVISIONS			
P	LTR	DESCRIPTION	DATE	DWN	APVD
C2		REVISED PER ECR-11-025934	29DEC2011	RK	HMR
C3		1-...-1. PBT HSG.	07NOV2014	HV	F.THIEL
C4		2-...-1 PBT HSG. ECR-15-016745	17NOV2015	C.N	W.R

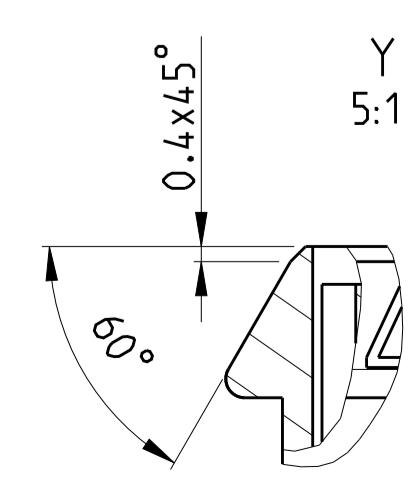
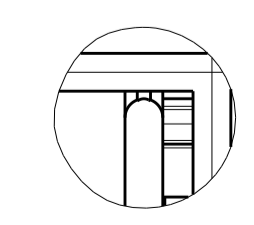
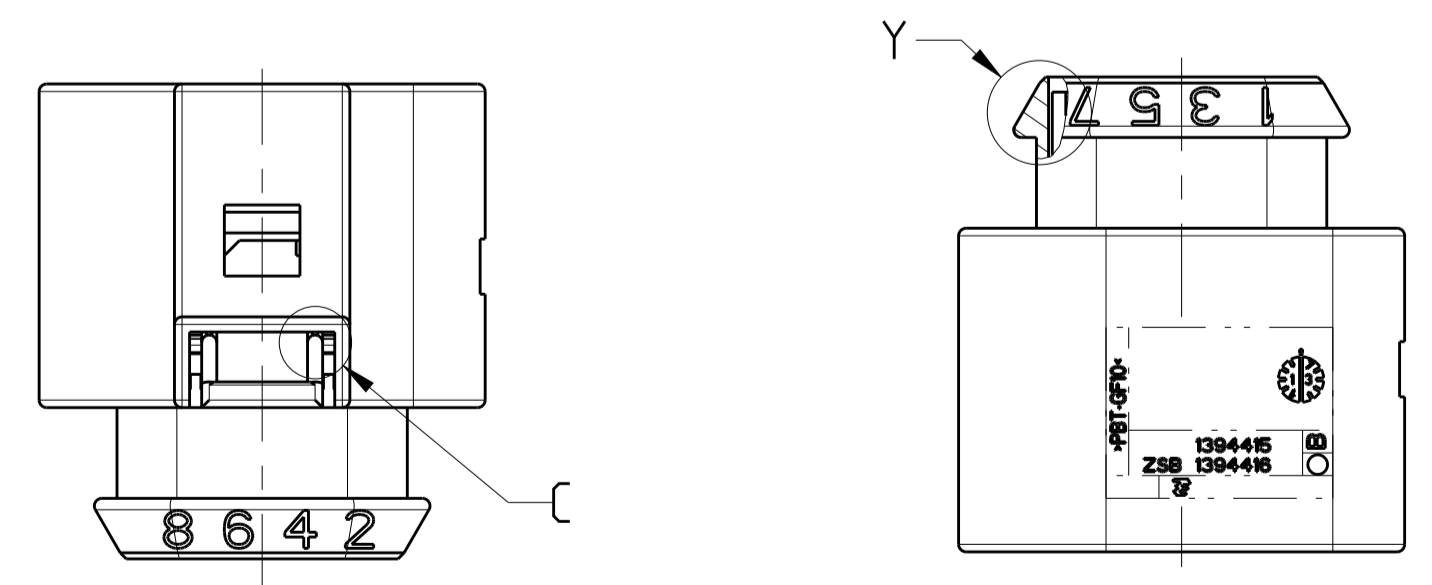
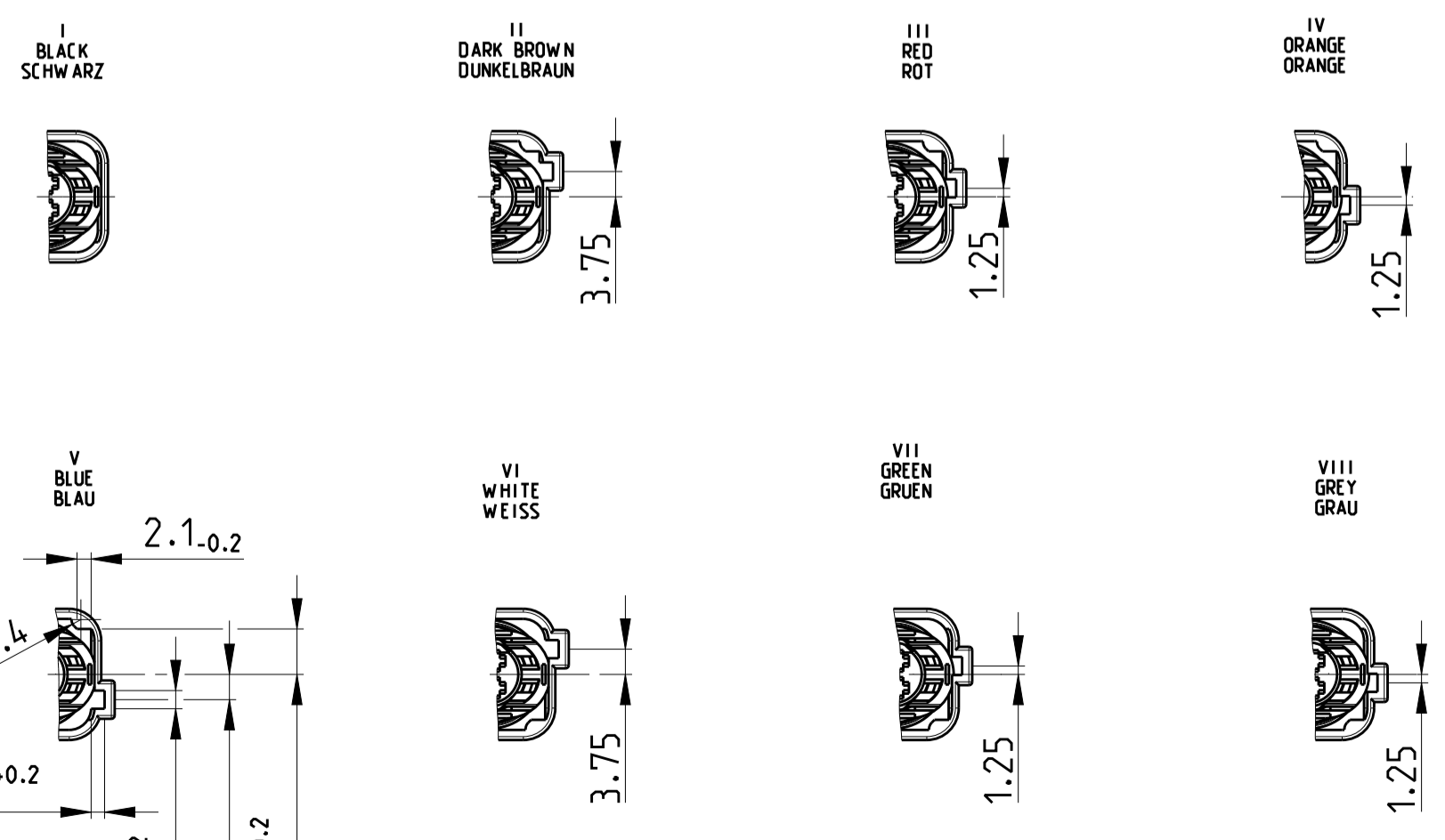


- 1 CHARACTERS H ACCORDING TO DIN 1451 PART 4 MITTELSCHRIFT NACH DIN 1451 TEIL 4
- 2 CHARACTERS 1.2 RECEDE 0.2 ZONE RECEDE 0.0 OR SCHRIFTHOEHE 1.2 VERTIEFT 0.2 FELD VERTIEFT 0.0 ODER CHARACTERS 1.2 RAISED 0.2 ZONE RECEDE 0.2 SCHRIFTHOEHE 1.2 ERHABEN 0.2 FELD VERTIEFT 0.2
- 3 UNDIMENSIONED RADIUS R0.5 UNBEMASSTE RADIIEN R0.5
- 4 CONTACT CAVITY NUMBER: CHARACTERS 2.5 RECEDE 0.3 KONTAKTKAMMERNUMMER: SCHRIFTHOEHE 2.5 VERTIEFT 0.3
- 5 PRODUCTION-DATE WITH DATE INSERT Ø3 PRODUKTIONSdatum MIT DATUMSUHR Ø3
- 6 MATERIAL MARKING ACC. TO VDA 260 WERKSTOFF-KENNZEICHNUNG NACH VDA 260
- 7 ALLOWED WARPAGE ±0.5 ZULAESSIGER VERZUG ±0.5
- 8 SHOWN AS SUPPLIED: RETAINER IN PRE-LOCKING POSITION. AFTER CONTACT LOADING TO DRIFT IN THIS DIRECTION (2.5) LIEFERZUSTAND GEZEICHNET: VERRIEGELUNG IN VORRABSTELLUNG. NACH KONTAKTBESTUECKUNG IN DIESER RICHTUNG VERSCHIEBEN (2.5)
- 9 THE PART NO 1394416 ASSEMBLED FOR EXAMPLE WITH CONTACT 964274-2 AND SEALING 964972-1 WILL HAVE A SUITABLE MATING PART ACC. TO 114-18375-1 DAS TEIL 1394416 WIRD Z.B. MIT DEM KONTAKT 964274-2 UND EINZELADER-DICHTUNG 964972-1 BESTUECKT. AUF EINEN ANSCHLUSS NACH 114-18375-1 GESTECKT
- 10 BULK PACKAGED VERPACKT ALS SCHUETTGUT
- C3 11 PARTS WITH HOUSING FROM 1ST MOLD ALLOWED TEILE MIT GEHAUSEN AUS 1ST WERKZEUG ZULAESSIG
- C3 12 COLLAR DESIGN: ALLOWED FOR OLD MOLDS KRAGENAUSFUEHRUNG: AUS ALTEN WERKZEUGEN ZULAESSIG



1-...-1 AS SHOWN  
1-...-1 WIE GEZEICHNET

CODINGS  
KODIERUNGEN X 1:1



COD	TE PART NO	REV	MATERIAL	COLOR	DESCRIPTION	QTY	ITEM NO
VIII	1-1394416-8	C	VMO ORANGE / RAL 2003	ORANGE / RAL 2003	SEALING, 2x4 POSN, MT2	1	3
			PBT-GF10 VIOLET / RAL 4006	VIOLET / RAL 4006	RETAINER, 2x4 POSN, MT2	1	2
			PBT GREY / RAL 7036	GREY / RAL 7036	RECEPTACLE HSG, 2x4 POSN	1	1
VII	1-1394416-7	C	VMO ORANGE / RAL 2003	ORANGE / RAL 2003	SEALING, 2x4 POSN, MT2	1	3
			PBT-GF10 VIOLET / RAL 4006	VIOLET / RAL 4006	RETAINER, 2x4 POSN, MT2	1	2
			PBT GREEN / RAL 6018	GREEN / RAL 6018	RECEPTACLE HSG, 2x4 POSN	1	1
VI	1-1394416-6	C	VMO ORANGE / RAL 2003	ORANGE / RAL 2003	SEALING, 2x4 POSN, MT2	1	3
			PBT-GF10 VIOLET / RAL 4006	VIOLET / RAL 4006	RETAINER, 2x4 POSN, MT2	1	2
			PBT WHITE / RAL 9010	WHITE / RAL 9010	RECEPTACLE HSG, 2x4 POSN	1	1
V	1-1394416-5	C	VMO ORANGE / RAL 2003	ORANGE / RAL 2003	SEALING, 2x4 POSN, MT2	1	3
			PBT-GF10 VIOLET / RAL 4006	VIOLET / RAL 4006	RETAINER, 2x4 POSN, MT2	1	2
			PBT BLUE / RAL 5012	BLUE / RAL 5012	RECEPTACLE HSG, 2x4 POSN	1	1
IV	1-1394416-4	C	VMO ORANGE / RAL 2003	ORANGE / RAL 2003	SEALING, 2x4 POSN, MT2	1	3
			PBT-GF10 VIOLET / RAL 4006	VIOLET / RAL 4006	RETAINER, 2x4 POSN, MT2	1	2
			PBT ORANGE / RAL 2003	ORANGE / RAL 2003	RECEPTACLE HSG, 2x4 POSN	1	1
III	1-1394416-3	C	VMO ORANGE / RAL 2003	ORANGE / RAL 2003	SEALING, 2x4 POSN, MT2	1	3
			PBT-GF10 VIOLET / RAL 4006	VIOLET / RAL 4006	RETAINER, 2x4 POSN, MT2	1	2
			PBT RED / RAL 3003	RED / RAL 3003	RECEPTACLE HSG, 2x4 POSN	1	1
II	1-1394416-2	C	VMO ORANGE / RAL 2003	ORANGE / RAL 2003	SEALING, 2x4 POSN, MT2	1	3
			PBT-GF10 VIOLET / RAL 4006	VIOLET / RAL 4006	RETAINER, 2x4 POSN, MT2	1	2
			PBT DARK BROWN/RAL 8012	DARK BROWN/RAL 8012	RECEPTACLE HSG, 2x4 POSN	1	1
I	2-1394416-1	C	VMO ORANGE / RAL 2003	ORANGE / RAL 2003	SEALING, 2x4 POSN, MT2	1	3
			PBT-GF10 VIOLET / RAL 4006	VIOLET / RAL 4006	RETAINER, 2x4 POSN, MT2	1	2
			PBT WHITE / RAL 9010	WHITE / RAL 9010	RECEPTACLE HSG, 2x4 POSN	1	1
I	1-1394416-1	C	VMO ORANGE / RAL 2003	ORANGE / RAL 2003	SEALING, 2x4 POSN, MT2	1	3
			PBT-GF10 VIOLET / RAL 4006	VIOLET / RAL 4006	RETAINER, 2x4 POSN, MT2	1	2
			PBT BLACK / RAL 9011	BLACK / RAL 9011	RECEPTACLE HSG, 2x4 POSN	1	1
I	1394416-1	C	VMO ORANGE / RAL 2003	ORANGE / RAL 2003	SEALING, 2x4 POSN, MT2	1	3
			PBT-GF10 VIOLET / RAL 4006	VIOLET / RAL 4006	RETAINER, 2x4 POSN, MT2	1	2
			PBT-GF10 BLACK / RAL 9011	BLACK / RAL 9011	RECEPTACLE HSG, 2x4 POSN	1	1

- C4
- C3
- C3

TOLERANCES UNLESS OTHERWISE SPECIFIED ACC. TO DIN 16001-1400@CENTRIC TO NOMINAL DIMENSION. EDITION 1982-11 SHALL APPLY. Freimaßtoleranzen nach DIN 16001-14000. Es gilt die Ausgabe 1982-11.

DIESE ZEICHNUNG IST EIN KONTROLLIERTES DOKUMENT. DIMENSIONING AND TOLERANCING PER GPS (ISO STANDARDS). DIMENSIONING AND TOLERANCING PER GPS (ISO STANDARDS).

THIS DRAWING IS A CONTROLLED DOCUMENT. DIMENSIONING AND TOLERANCING PER GPS (ISO STANDARDS).

DIMENSIONS: MASSENMASSTAB: mm

TOLERANCES UNLESS OTHERWISE SPECIFIED: ALLE MAßTOLERANZEN:

0 PLC ±

1 PLC ±

2 PLC ±

3 PLC ±

4 PLC ±

5 PLC ±

6 PLC ±

7 PLC ±

8 PLC ±

9 PLC ±

ANGLES: WINKEL: °

TITLES: SCHLÜSSELWörter: PARAG

MATERIAL: S.TAB.

Customer Drawing

DWN: S.HOTEA 06JUL2000

CHK: F.THIEL 06JUL2000

APVD: S.GLASER 06JUL2000

NAME: S.GLASER

PRODUCT SPEC: RECEPTACLE HSG ASSY, 2x4 POSN, RADIAL SEAL, MT2

PRODUCT SPEC: FLACHKONTAKTGEH. KOMPLETT, 2x4 POLIG. RADIALDICHT. MT2

APPLICATION SPEC: VERABREITUNGSSPEZ

REVISIONS-NR.: 114-18375-1

SIZE: A1

CAGE CODE: 00779

DRAWING NO: 1394416

RESTRICTED TO: NUR FÜR

SCALE: 1:1

SHEET: 1 OF 1

REV: C4

# Mouser Electronics

Authorized Distributor

Click to View Pricing, Inventory, Delivery & Lifecycle Information:

[TE Connectivity:](#)

[1394416-1](#)