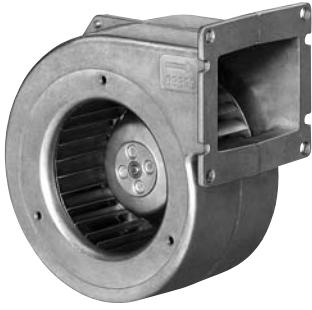


# G2E085 Series

## Centrifugal Blower

Ø 85mm



- AC single inlet, forward curved centrifugal blower. Via a bracket, the integrated external-rotor motor is mounted on one side of the housing.

- Housing of die-cast aluminium; impeller of galvanised sheet-steel. Forward curved impellers are directly press-fitted onto the rotor of the external-rotor motor.

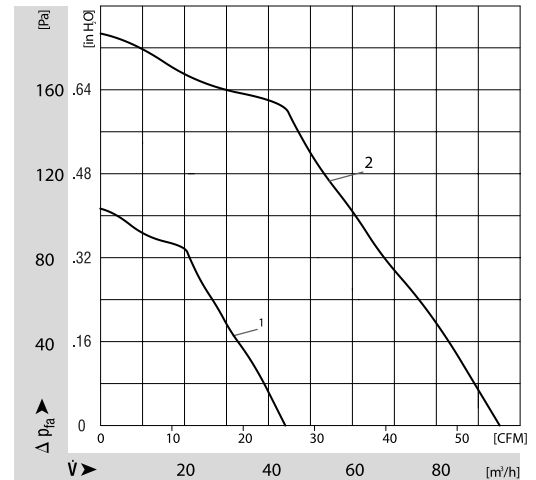
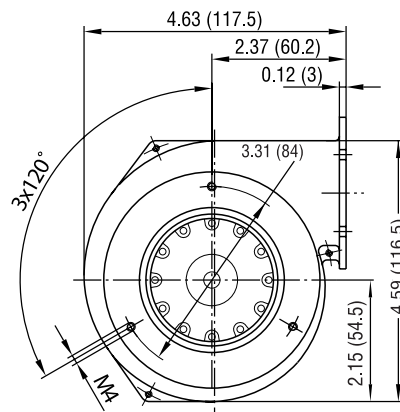
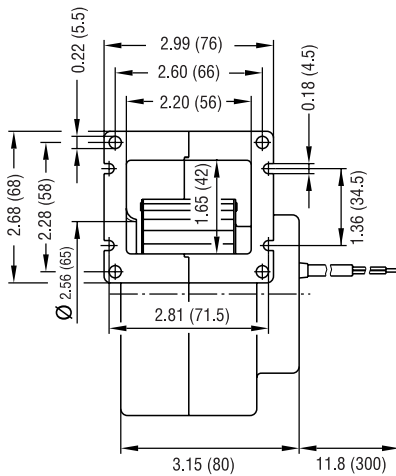
- Direction of rotation is CW as seen from suction side. Insulation class "B".

- Maintenance-free ball bearings.

- UL, CSA, VDE approvals on some models, please contact application engineering.

Part Number	Curve	CFM @ 0	VAC	Hertz	Power (W)	dBA	Max Amb. Temp. C	Bearing Type	Features	Capacitor (µF)	Wgt. (lbs)
G2S085-AA19-15	1	26.5	115	60*	22	38	40	Ball	Leads	-	1.81
G2S085-AA03-01	1	26.5	230	60*	23	38	40	Ball	Leads	-	1.81
G2E085-AA05-21	2	55.9	115	60	28	57	70	Ball	Leads	4	1.69
G2E085-AA01-05	2	55.9	230	60*	30	57	70	Ball	Leads	1	1.69

\* 50 Hz data available.



# Mouser Electronics

Authorized Distributor

Click to View Pricing, Inventory, Delivery & Lifecycle Information:

[ebm-papst:](#)

[G2E085-AA01-05](#) [G2E085-AA05-21](#) [G2S085-AA03-01](#) [G2S085-AA19-15](#) [G2E085-AA01-06](#)