

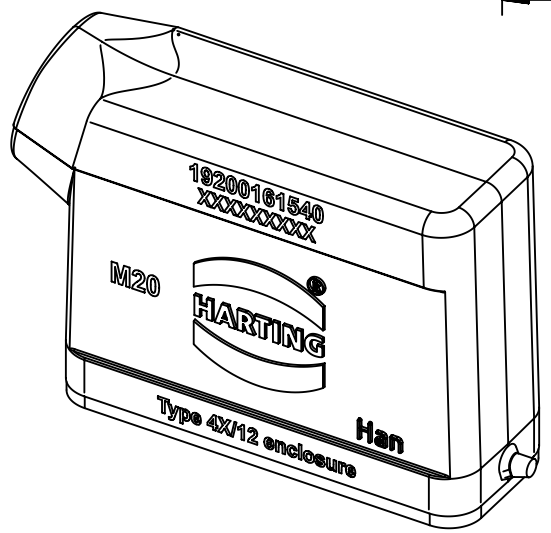
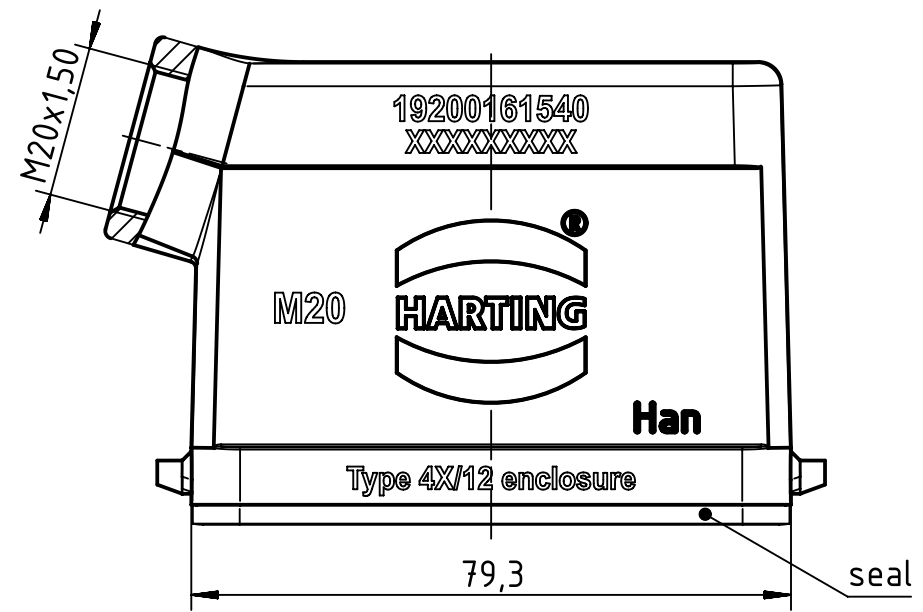
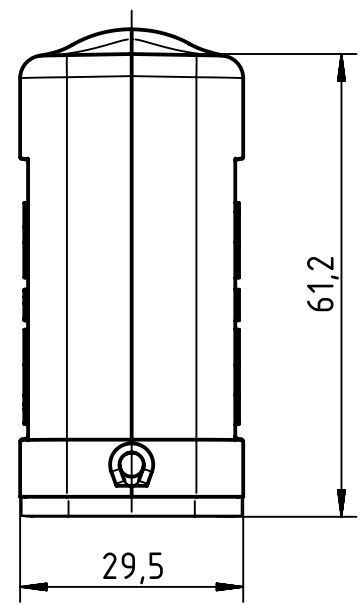
1 2 3 4 5 6

A

B

C

D



	All Dimensions in mm Original Size DIN A4		Scale 1:1	Free size tol.		Ref.	
						Sub.	
	All rights reserved		Created by FINKEV	Inspected by BERGHORN	Standardisation RUETERA	Date 2018-02-16	State Final Release
	Department EL PD - DE		Title Han 16A-gs-M20			Doc-Key / ECM-Nr. 100120099/UGD/005/C 500000131368	
HARTING Electric GmbH & Co. KG D-32339 Espelkamp			Type TB	Number 19 20 016 1540		Rev. C	Page 1/1

Mouser Electronics

Authorized Distributor

Click to View Pricing, Inventory, Delivery & Lifecycle Information:

[HARTING:](#)

[19200161540](#)