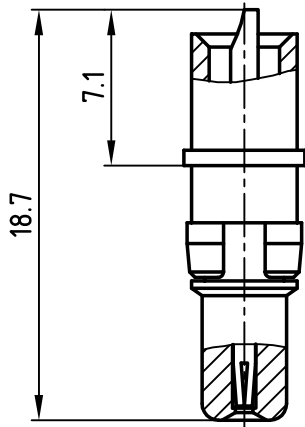
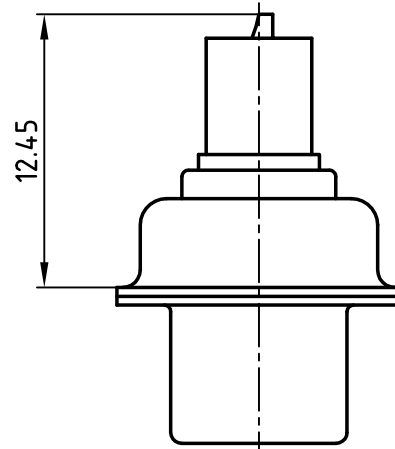
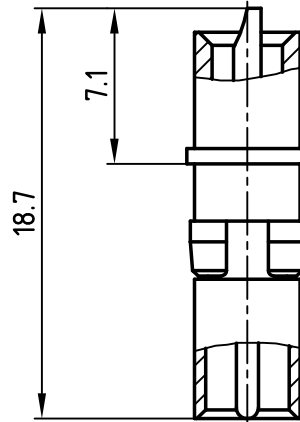


used for: DIN EN 60603

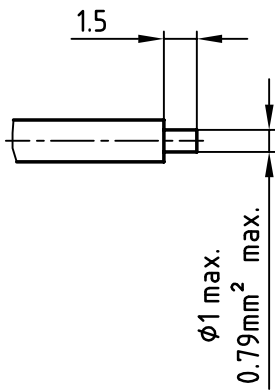
Plug contact  
131J14019X



Socket contact  
132J14019X



Directive 2002/95/EC  
"RoHS"  
Compliant



ⓑ MATERIAL:

1. INSULATOR: PLUG CONTACT: PTFE; BLUE  
SOCKET CONTACT: PTFE; WHITE
2. CONTACT: COPPER ALLOY; GOLD PLATED
3. RETAINING RING: COPPER ALLOY; NICKEL PLATED

THIS DRAWING MAY NOT BE COPIED OR REPRODUCED IN ANY WAY, AND MAY NOT BE PASSED ON TO A THIRD PARTY WITHOUT WRITTEN PERMISSION.  
OWNERSHIP AND COPYRIGHT OF CONEC GmbH  
DO NOT ALTER CAD DRAWING BY HAND

rev.	description	date	name
1 x b	Ä3527	14.12.2009	Henneb.
a	Origin		

tolerance



scale: 3:1

material:

2002	date	name
drawn	07.05.	Parei
appd.	07.05.	E. Mickenbecker
norm	DIN EN 60603	
d-old		

title:  
**HIGH VOLTAGE CONTACT**  
for solder straight  
Socket contact + plug contact

dwg no: AutoCAD 2000  
**13K1A568**  
DIN-A  
4  
sh: 1/1



part no: SEE DRAWING

# Mouser Electronics

Authorized Distributor

Click to View Pricing, Inventory, Delivery & Lifecycle Information:

[CONEC:](#)

[132J14019X](#)