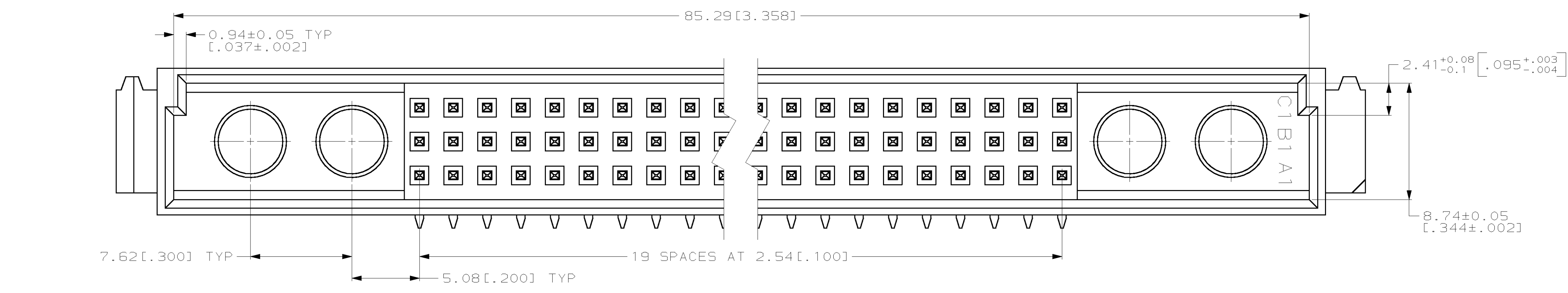
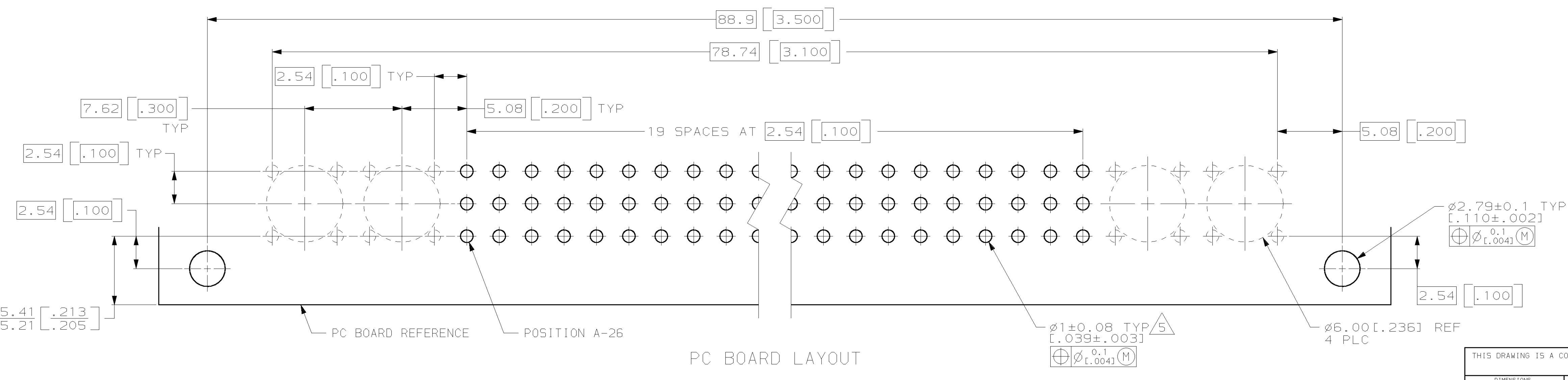
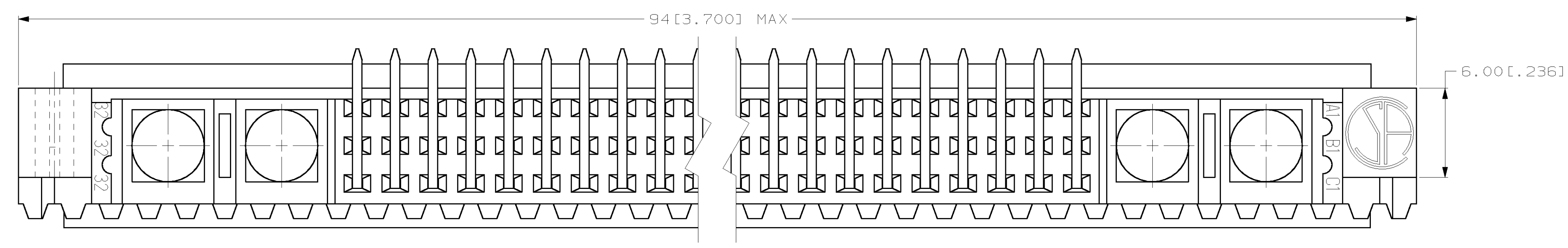
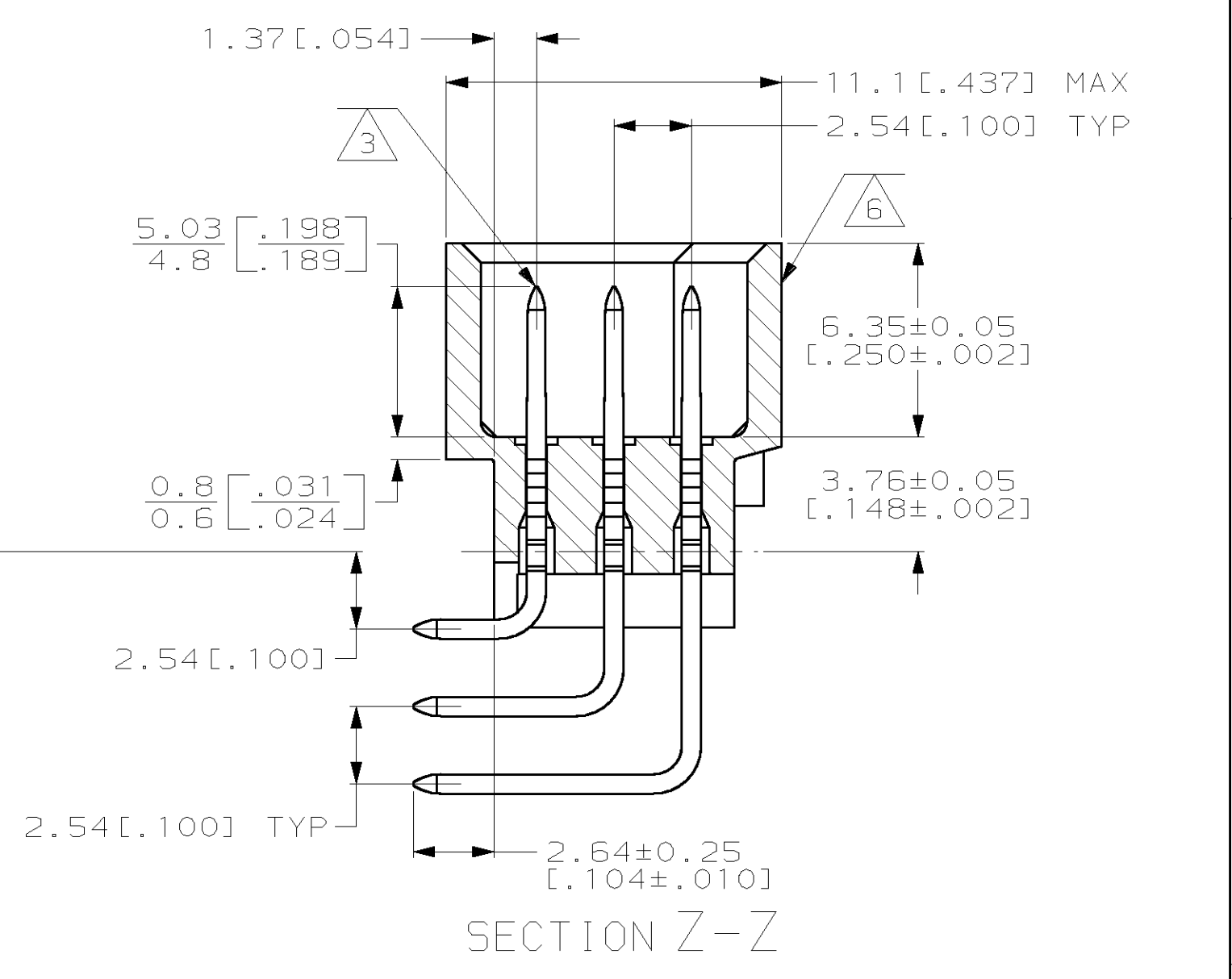
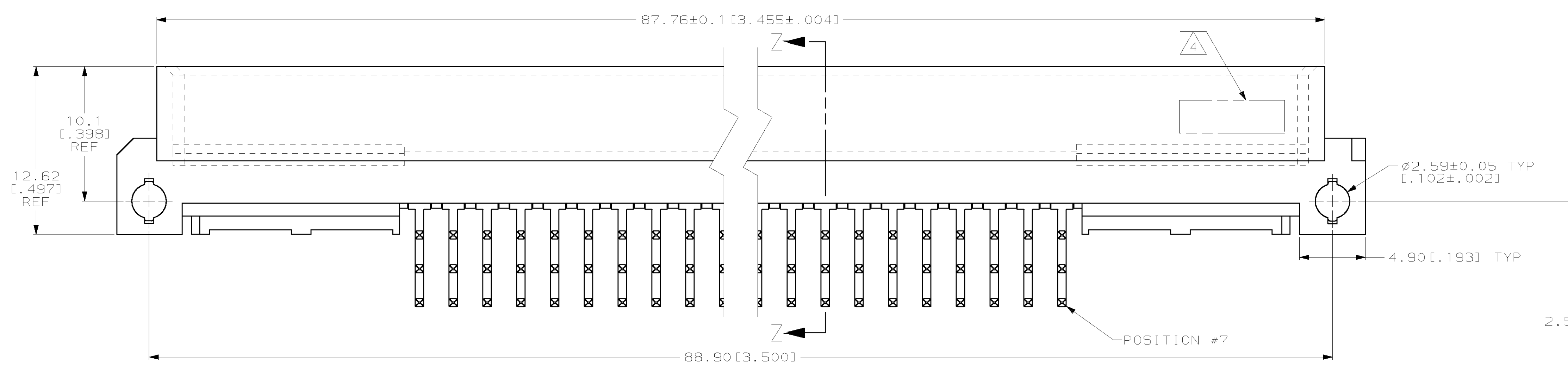


REV	DATE	DESCRIPTION	DATE	OWN	APPROV
0		DRAWN			
A	06 APR 99	REV PER EC 0621-80-99		BC	CR

REVISIONS



- 1 HOUSING MATERIAL: GLASS-FILLED POLYESTER. COLOR: GRAY.
- 2 POST MATERIAL: BRASS.
- 3 POST FINISH: DIN 41612 CLASS 2 IN CONTACT AREA. TIN-LEAD PLATE ON POSTS.
- 4 PART NUMBER AND DATE CODE HOT STAMPED IN THIS APPROXIMATE AREA.
- 5 RECOMMENDED HOLE SIZE FOR MANUAL APPLICATION OF CONNECTOR ONTO PC BOARD.
- 6 HOT STAMPING ON THIS SIDE.



THIS DRAWING IS A CONTROLLED DOCUMENT.		DNW L. BRINER 12/19/97	AMP AMP Incorporated Harrisburg, PA 17105-3608	
DIMENSIONS: mm		CHK R. PATTERSON 12/19/97		
TOLERANCES UNLESS OTHERWISE SPECIFIED:		APPD R. PATTERSON 12/19/97	NAME PIN ASSEMBLY, EUROCARD, TYPE M, 60 + 4 POSITION	
0 PLC ±	1 PLC ±	PRODUCT SPEC	SIZE CAGE CODE DRAWING NO RESTRICTED TO	
2 PLC ±0.13(.005)	3 PLC ±	APPLICATION SPEC	A1 00779 C -148412	
4 PLC ±	ANGLES	WEIGHT	SCALE 5:1 SHEET 1 OF 1 REV A	
MATERIAL HOUSING: 1	FINISH	CUSTOMER DRAWING		
POST: 2	POST: 3			

148412-5
PART NUMBER

Mouser Electronics

Authorized Distributor

Click to View Pricing, Inventory, Delivery & Lifecycle Information:

[TE Connectivity:](#)

[148412-5](#)