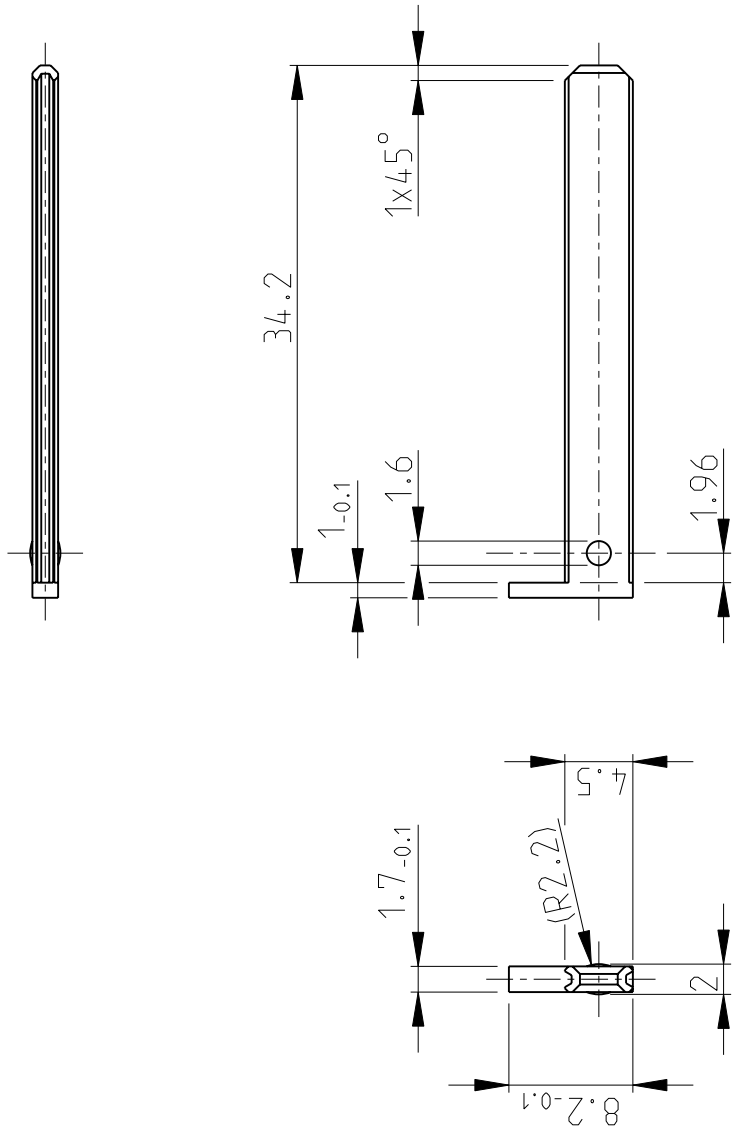


LOC	DIST	P	LTR	DESCRIPTION	DATE	DWN	APVD
A1	-	C		PN 926936-2 hinzu	18MAY1982	-	-
		D		Benennung Korrektur	12FEB1985	Jäger	-
		D2		NEW DRAWING CREATED	10SEP2007	Haas	Stre.
		D3		DASH NUMBER IN TABLE CORRECTED	16JAN2008	Haas	Stre.

THIS DRAWING IS UNPUBLISHED.
 COPYRIGHT 2007
 BY TYCO ELECTRONICS CORPORATION. ALL RIGHTS RESERVED.

RELEASED FOR PUBLICATION
 2007



926635-2	D	$\triangle 1$	RED
926635-1	D	$\triangle 1$	BLACK
PART NO.	REV.	MATERIAL	COLOR

DIMENSIONS:		10SEP2007 MATERIAL PA 6.6 13GV $\triangle 1$ FINISH	
mm		Tyco Electronics	
TOLERANCES UNLESS OTHERWISE SPECIFIED:		Tyco Electronics AMP GmbH 64625 Bensheim (Germany)	
0 PLC	\pm	NAME	
1 PLC	\pm	LOCKING SLIDE	
2 PLC	\pm	Kontaktsicherung fuer MODU IV Gehaeuse	
3 PLC	\pm	SIZE CAGE CODE DRAWING NO	
4 PLC	\pm	A4 00779 C=926635	
ANGLES	\pm	RESTRICTED TO	
		SCALE 2:1	
CUSTOMER DRAWING		SHEET 1 OF 1	
		REV D3	

Mouser Electronics

Authorized Distributor

Click to View Pricing, Inventory, Delivery & Lifecycle Information:

[TE Connectivity:](#)

[926635-1](#)