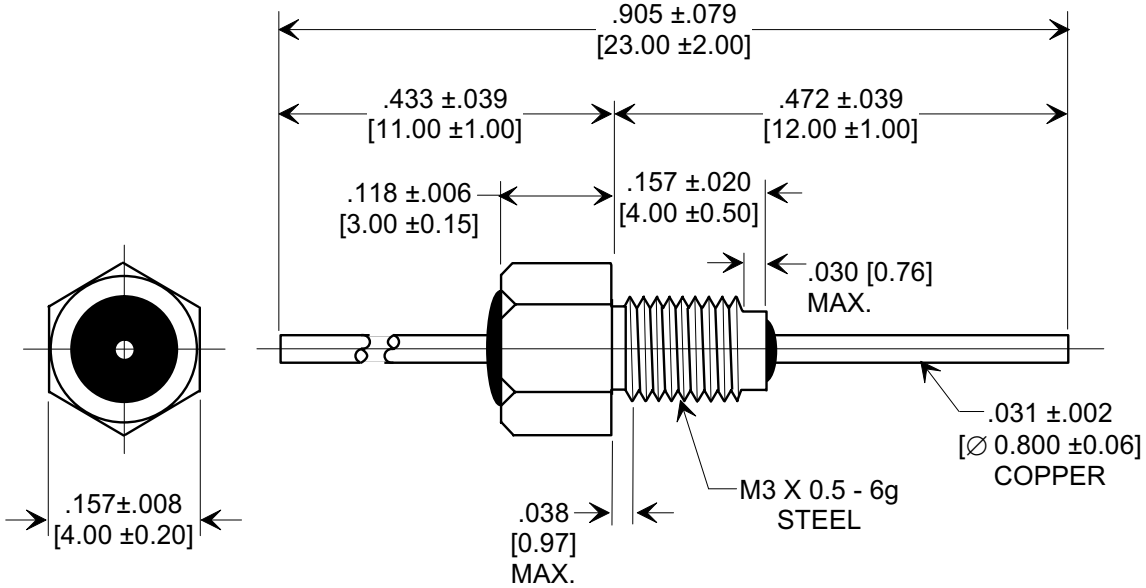
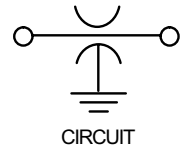
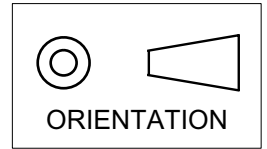
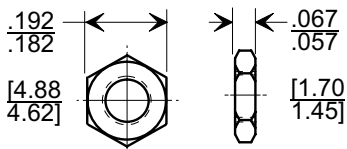
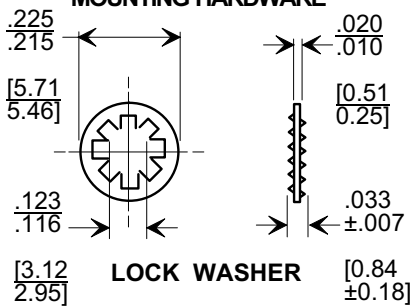


**MARKETING SALES DRAWING**  
**DIMENSIONS IN INCHES - DO NOT SCALE THIS DRAWING**  
**DIMENSIONS IN METRIC [ ]**

Electrical Testing  
per Tusonix standard  
test plans and Mil-Std-202  
Test Methods.



**MOUNTING HARDWARE**



**NOTES:**

- TUSONIX STANDARD PART NUMBER: 4400-093.  
TUSONIX RoHS COMPLIANT PART NUMBER: 4400-093 LF.  
CUSTOMER MUST SPECIFY STANDARD OR RoHS PART NUMBER WHEN ORDERING.
- MATERIAL: BUSHING; SILVER PLATED. LEAD; SILVER PLATED.
- PART MARKING: TRADEMARK AND VARIATION NUMBER ON HEX FLATS. STANDARD PART: BLACK INK. RoHS PART: GREEN INK.
- OPERATING TEMP. RANGE: -55°C TO +125°C.
- MAX. RECOMMENDED SOLDERING TEMPERATURE : 260° C.
- SUPPLIED WITH SILVER PLATED INTERNAL TOOTH LOCK WASHER.
- MAX. RECOMMENDED MOUNTING TORQUE : 2.0 Lb. in. [.226 Nm.].

CAP.(pf)	TOLERANCE	DC WORKING VOLTAGE		DC CURRENT (AMPS)	I.R. MIN. @ 100 (VDC)	DWV (VDC)	MIN. NO LOAD INSERTION LOSS (db) @ 25°C PER MIL-STD-220				
		85°C	125 °C				1 MHz	10 MHz	100 MHz	1 GHz	10 GHz
10,000	GMV	70	50	10	10 G Ω	150	4	21	35	50	60

X-2015 Rev-0

<b>REVISION RECORD</b> Original Release C.O. <b>19991013-1-01</b> ADDED HEX NUT (2) PLCS. S.M. 01-07-00 <b>20000104-1-01</b> ORIENTATION SYMBOL ADDED GMV WAS +80%/-20% DWV(VDC) 500 DELETED L.E. 04-13-00 <b>20000410-2-02</b> ADDED IR & DWV, ADDED & REVISED NOTES. S.M.12-01-05 <b>20051128-1-13</b>	<b>--TOLERANCES--</b> Unless Otherwise Specified			Title <b>BUSHING STYLE EMI FILTER</b>	
	DECIMAL ± NOTED	Drawn S.M. 10-14-99		Scale 5 X	
	<b>TUSONIX</b> TUCSON, ARIZONA	Approved E.F. 10-14-99		<b>A</b>	
			<b>4400-093</b>		

# Mouser Electronics

Authorized Distributor

Click to View Pricing, Inventory, Delivery & Lifecycle Information:

[Tusonix / CTS:](#)

[4400-093LF](#)