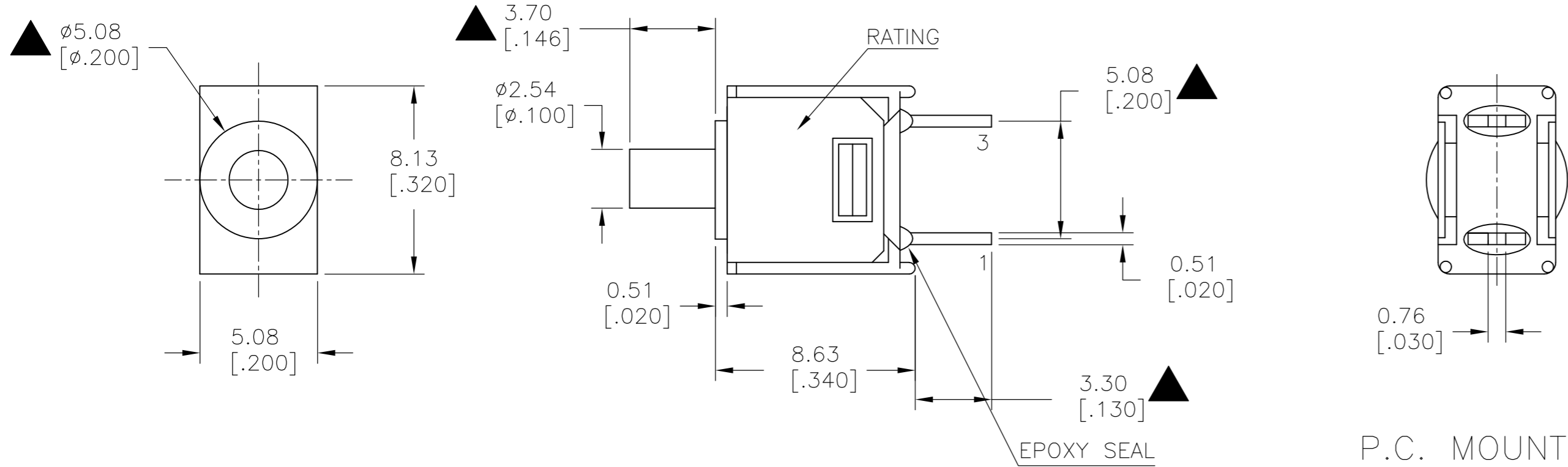


THIS DRAWING IS UNPUBLISHED. RELEASED FOR PUBLICATION
 © COPYRIGHT - By - ALL RIGHTS RESERVED.

LOC		DIST		REVISIONS			
P	LTR	DESCRIPTION		DATE	DWN	APVD	
	A1	REVISED PER ECO-15-014342		07OCT2015	NK	RH	

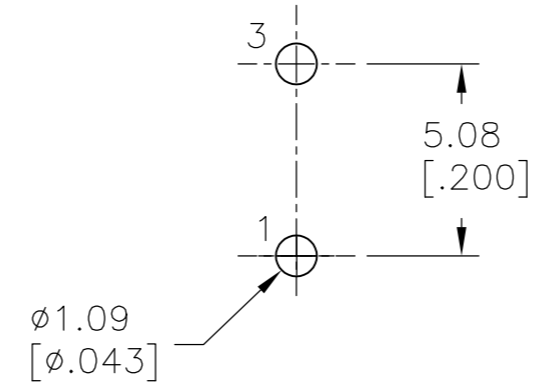


MODEL NO.	POS.1	POS.2
PMS9	OFF	MOM
TERM. COMM.	1-3	
SCHEMATIC	OPEN	

SWITCH FUNCTION

P.C. MOUNTING

LAYOUT FOR PN 2267072-1



SPECIFICATIONS

- MECHANICAL LIFE: 50,000 MAKE-AND-BREAK CYCLES.
- CONTACT RESISTANCE: 20 m Ω MAX. INITIAL @ 2-4VDC
100mA FOR BOTH SILVER AND GOLD PLATED CONTACTS.
- CONTACT RATING: SILVER PLATED: 3A @ 120 VAC OR 28 VDC, 1A @ 250 VAC
GOLD PLATED: 0.4VA MAX @ 20 V MAX (AC OR DC)
- INSULATION RESISTANCE: 1,000 M Ω MIN.
- DIELECTRIC STRENGTH: 1,000 Vrms MIN.@SEA LEVEL.
- OPERATING TEMPERATURE: -30°C TO 85°C.

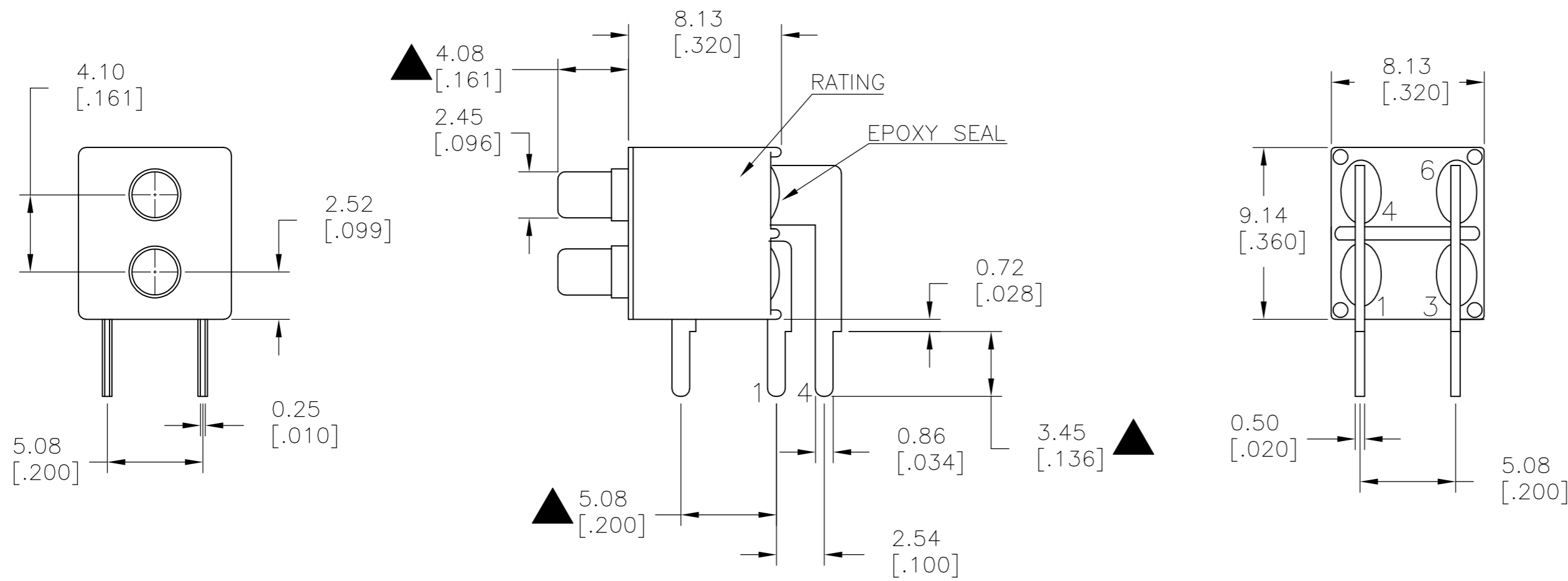
SILVER	ON-MOM	PC THROUGH HOLE	VERTICAL	1	1	PMS9P1B10M2QE	2267072-4
GOLD	OFF-MOM	PC THROUGH HOLE	RIGHT ANGLE	2	2	PMD9P1B10M6RE	2267072-3
GOLD	OFF-MOM	PC THROUGH HOLE	RIGHT ANGLE	1	1	PMS9P1B10M6RE	2267072-2
GOLD	OFF-MOM	PC THROUGH HOLE	VERTICAL	1	1	PMS9P1B10M2RE	2267072-1
CONTACT MATERIAL	FUNCTION	TERMINATION	MOUNT ANGLE	POLES	THROWS	DESCRIPTIVE PN	TE PN

THIS DRAWING IS A CONTROLLED DOCUMENT.

DIMENSIONS: mm [INCHES]	TOLERANCES UNLESS OTHERWISE SPECIFIED:	DWN NAGALAKSHMI K 09JUL2014	TE Connectivity SUBMINIATURE PUSH BUTTON SWITCH
	0 PLC ± - 1 PLC ± 0.38[.015] 2 PLC ± 0.25[.010] 3 PLC ± - 4 PLC ± - ANGLES ± 5°	CHK HILL, RYAN 09JUL2014	
MATERIAL	FINISH	APVD HILL, RYAN 09JUL2014	
		PRODUCT SPEC APPLICATION SPEC	
CUSTOMER DRAWING		WEIGHT	SIZE A2
		SCALE 3:1	CAGE CODE 00779
		SHEET 1 of 3	DRAWING NO C=2267072
		REV A1	RESTRICTED TO

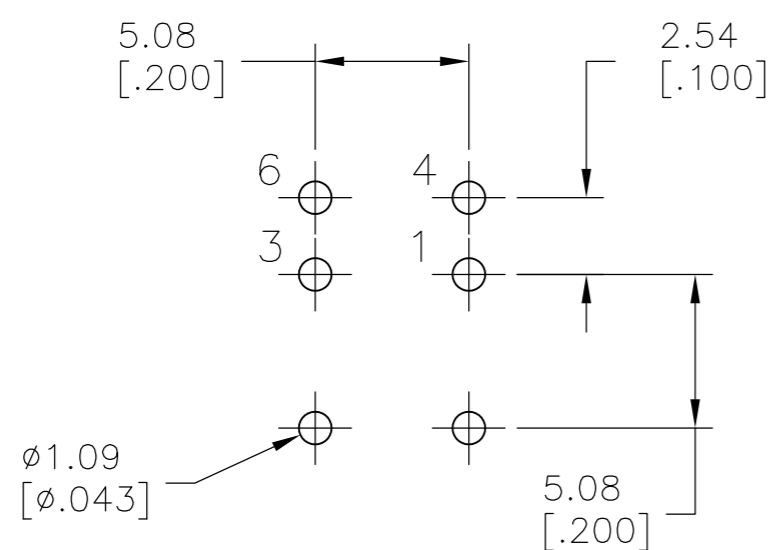
THIS DRAWING IS UNPUBLISHED. RELEASED FOR PUBLICATION
 © COPYRIGHT - By - ALL RIGHTS RESERVED.

LOC		DIST		REVISIONS			
P	LTR	DESCRIPTION	DATE	DWN	APVD		
-	-	SEE SHEET 1	-	-	-		



MODEL NO.	POS.1	POS.2
PMS9	OFF	MOM
TERM. COMM.	1-3,4-6	
SCHEMATIC	OPEN	

SWITCH FUNCTION



P.C. MOUNTING

LAYOUT FOR PN 2267072-3

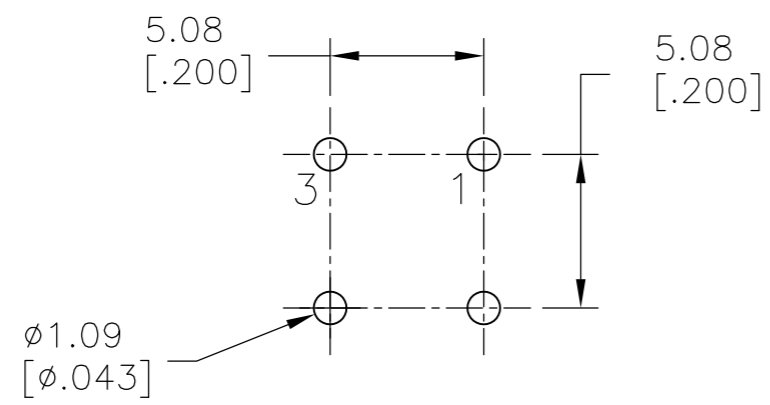
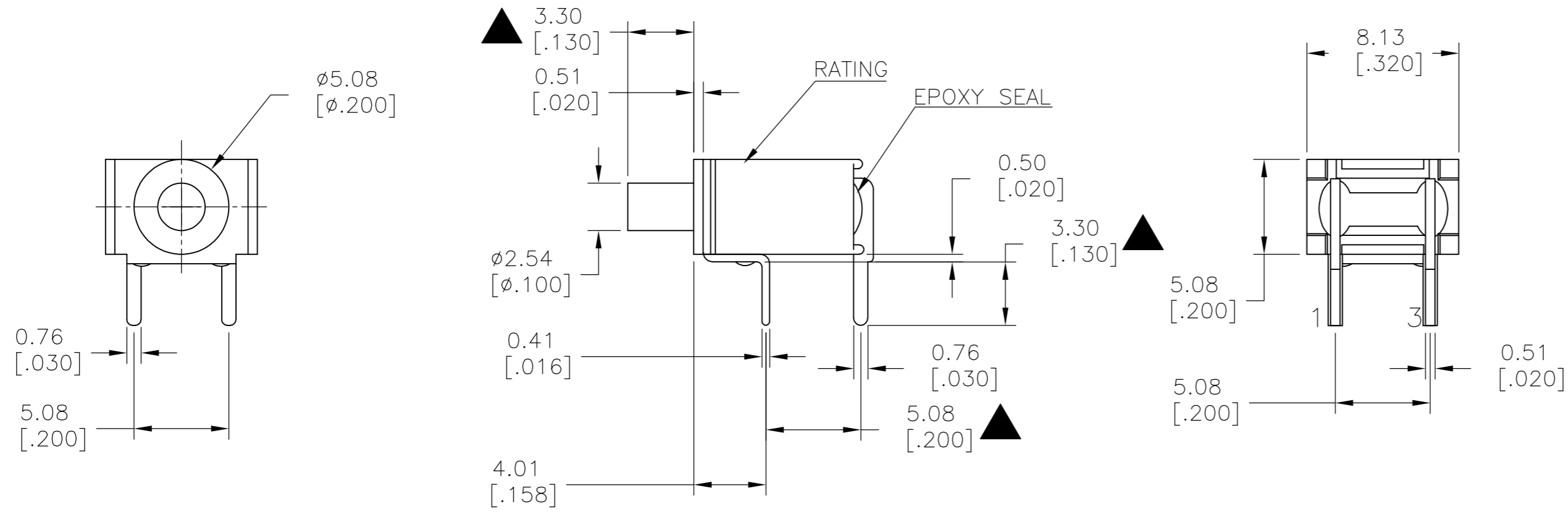
THIS DRAWING IS A CONTROLLED DOCUMENT.		DWN NAGALAKSHMI K 09JUL2014		
DIMENSIONS: mm [INCHES]		CHK HILL, RYAN 09JUL2014		
TOLERANCES UNLESS OTHERWISE SPECIFIED:		APVD HILL, RYAN 09JUL2014	NAME SUBMINIATURE PUSH BUTTON SWITCH	
0 PLC ± -		PRODUCT SPEC	SIZE A2	
1 PLC ± 0.38 [.015]		APPLICATION SPEC	CAGE CODE 00779	DRAWING NO C=2267072
2 PLC ± 0.25 [.010]		WEIGHT	RESTRICTED TO	
3 PLC ± -		MATERIAL	SCALE 3:1	
4 PLC ± -		FINISH	SHEET 2 OF 3	
ANGLES ± 5°		CUSTOMER DRAWING	REV A1	

THIS DRAWING IS UNPUBLISHED. RELEASED FOR PUBLICATION
 © COPYRIGHT - By - ALL RIGHTS RESERVED.

LOC		DIST		REVISIONS			
P	LTR	DESCRIPTION	DATE	DWN	APVD		
-	-	SEE SHEET 1	-	-	-		

MODEL NO.	POS.1	POS.2
PMD9	OFF	MOM
TERM. COMM.	OPEN	
SCHEMATIC		

SWITCH FUNCTION



P.C. MOUNTING

LAYOUT FOR PN 2267072-2

THIS DRAWING IS A CONTROLLED DOCUMENT.		DWN 09JUL2014 NAGALAKSHMI K	TE Connectivity	
DIMENSIONS: mm [INCHES]		CHK 09JUL2014 HILL, RYAN		
TOLERANCES UNLESS OTHERWISE SPECIFIED:		APVD 09JUL2014 HILL, RYAN	NAME SUBMINIATURE PUSH BUTTON SWITCH	
0 PLC ± -		PRODUCT SPEC	SIZE CAGE CODE DRAWING NO RESTRICTED TO	
1 PLC ± 0.38[.015]		APPLICATION SPEC	A2 00779 C=2267072 -	
2 PLC ± 0.25[.010]		WEIGHT	SCALE 3:1 SHEET 3 OF 3 REV A1	
3 PLC ± -		CUSTOMER DRAWING		
4 PLC ± -				
ANGLES ± 5°				
FINISH				

Mouser Electronics

Authorized Distributor

Click to View Pricing, Inventory, Delivery & Lifecycle Information:

[TE Connectivity:](#)

[PMD9P1B10M6RE](#)