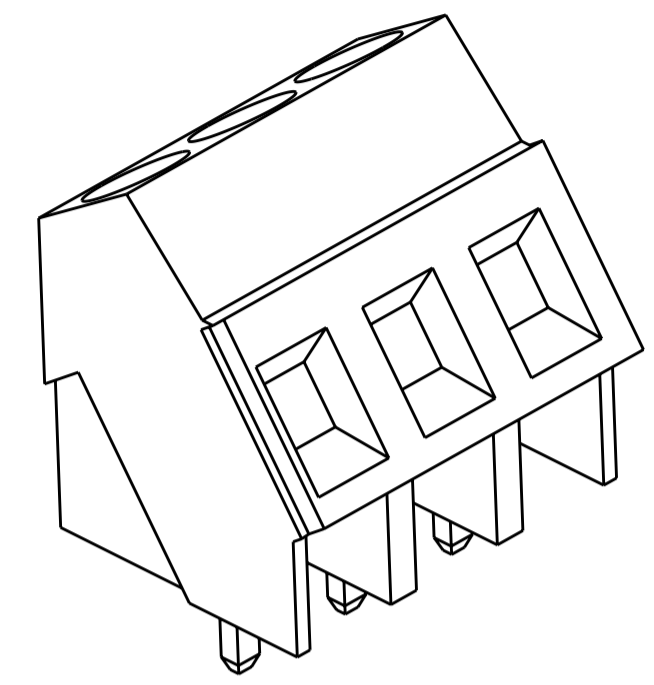
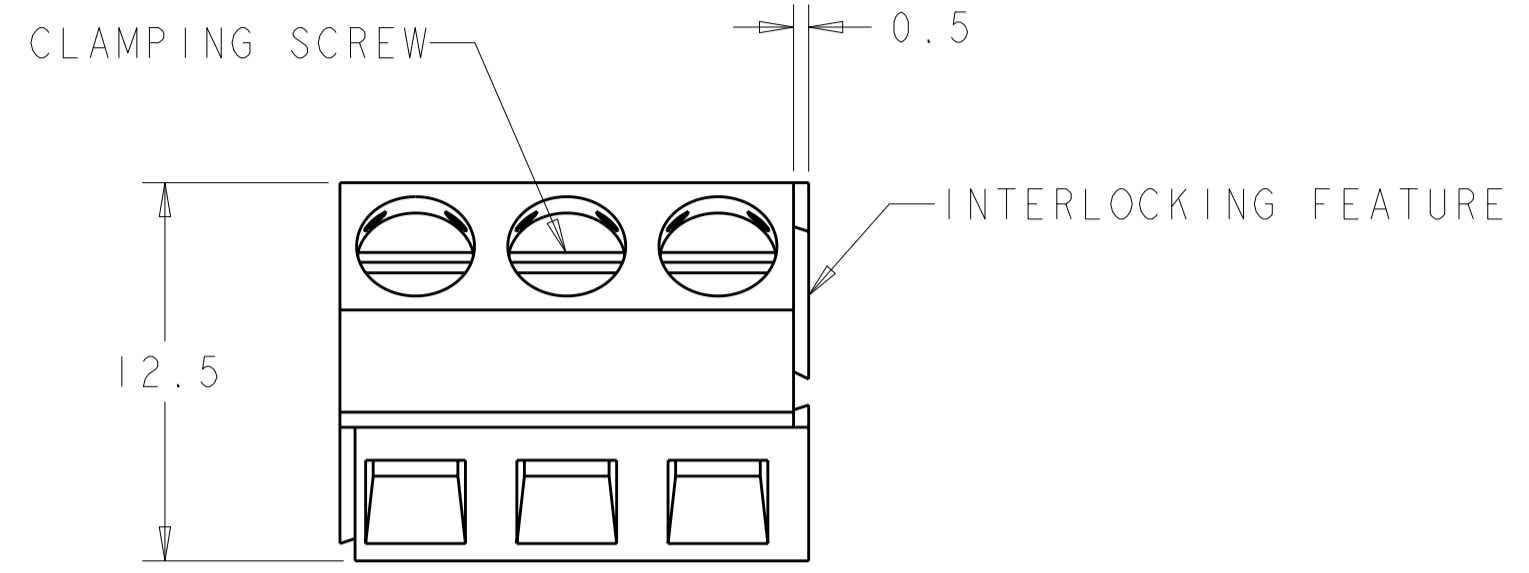
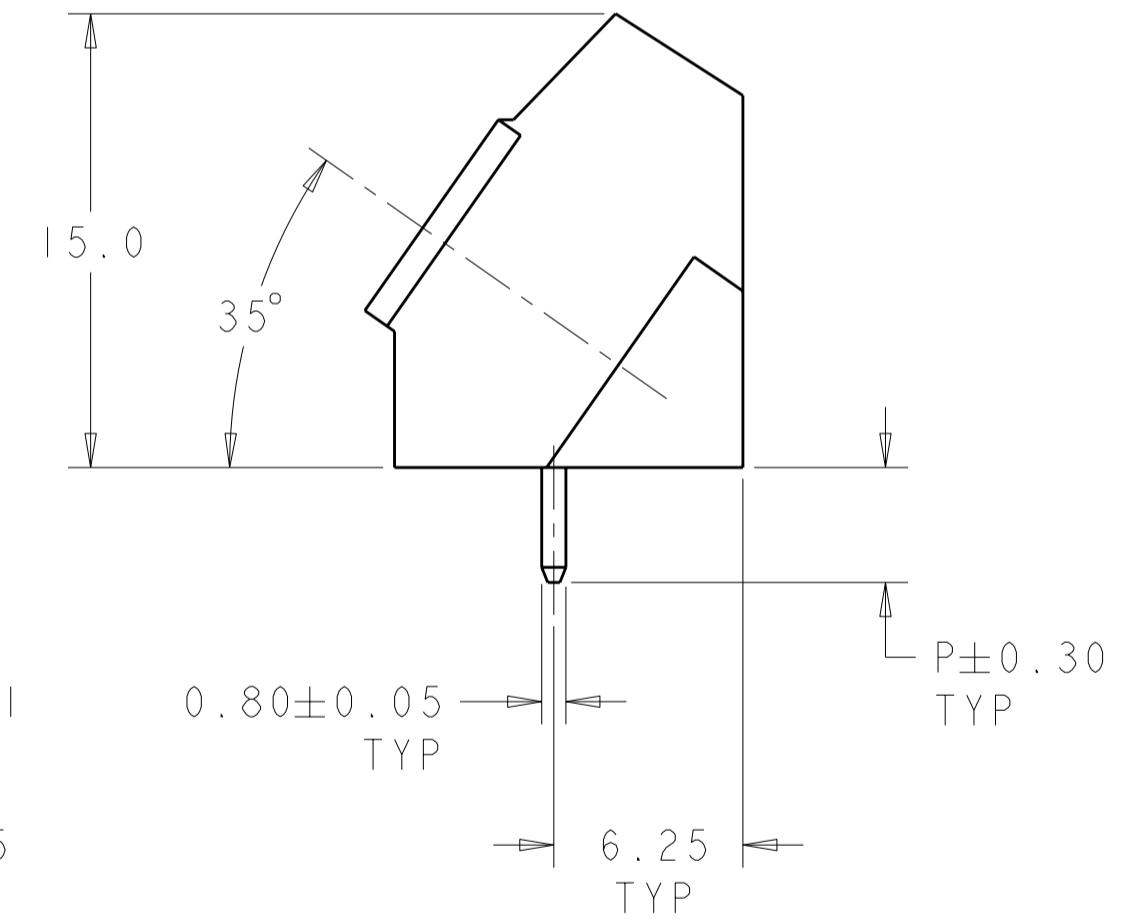
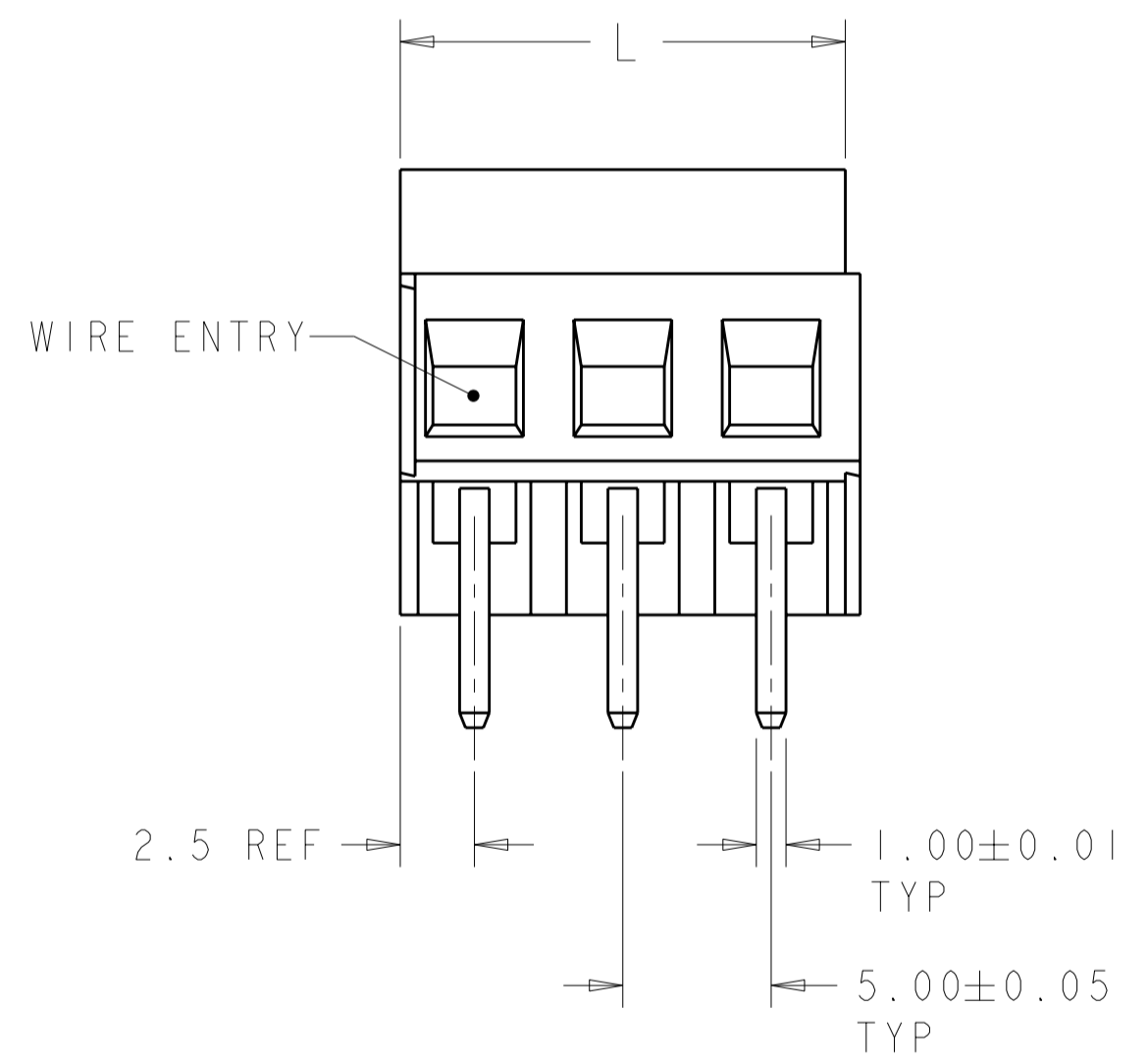


THIS DRAWING IS UNPUBLISHED. RELEASED FOR PUBLICATION 20  
 © COPYRIGHT 20 BY - ALL RIGHTS RESERVED.

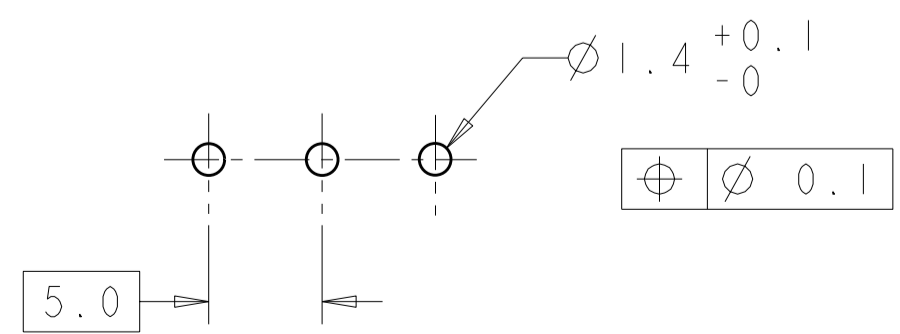
LOC	DIST	REVISIONS			
P	LTR	DESCRIPTION	DATE	DWN	APVD
FT	0	E3	REVISED PER ECO-11-008211	21APR2011	HMR CR



796690-3 AS SHOWN



BLACK	SEE DETAIL J	3.8	10	2	5-796690-6
BLACK	SEE DETAIL H	3.8	10	2	5-796690-5
BLACK	SEE DETAIL G	3.8	10	2	5-796690-4
-	-	6.0	15	3	5-796690-3
-	-	-	10	2	5-796690-2
9	SEE DETAIL B	3.8	10	2	4-796690-2
8	SEE DETAIL F		40	8	3-796690-8
9	SEE DETAIL C		15	3	3-796690-3
-	-		100	20	2-796690-0
9	SEE DETAIL C	15	3	1-796690-9	
9	SEE DETAIL B	10	2	1-796690-8	
-	-	6.0	15	3	1-796690-7
-	-	-	10	2	1-796690-6
8	SEE DETAIL E	3.8	25	5	1-796690-5
8	SEE DETAIL D		20	4	1-796690-4
8	SEE DETAIL A		10	2	1-796690-3
-	-		60	12	1-796690-2
-	-		55	11	1-796690-1
-	-		50	10	1-796690-0
-	-		45	9	796690-9
-	-		40	8	796690-8
-	-		35	7	796690-7
-	-		30	6	796690-6
-	-	25	5	796690-5	
-	-	20	4	796690-4	
-	-	15	3	796690-3	
-	-	10	2	796690-2	



RECOMMENDED PC BOARD LAYOUT

THIS DRAWING IS A CONTROLLED DOCUMENT.

DWN E. ZANOLINI 14MAR2001  
 CHK D. BIEVENOUR 14MAR2001  
 APVD D. BIEVENOUR 14MAR2001

PRODUCT SPEC 108-20166  
 APPLICATION SPEC 114-20079

MATERIAL - FINISH -

TE Connectivity

NAME: TERMINAL BLOCK, PCB MOUNT  
 ANGLED WIRE ENTRY, STACKING  
 W/INTERLOCK, 5mm PITCH

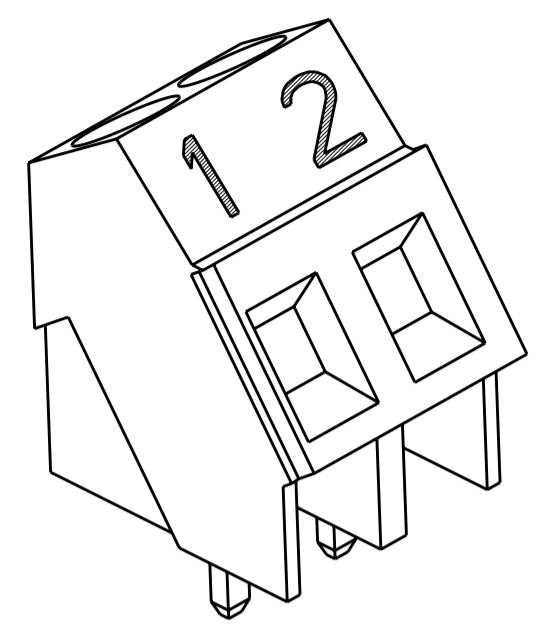
SIZE: A2 CAGE CODE: 00779 DRAWING NO: C-796690

RESTRICTED TO: -

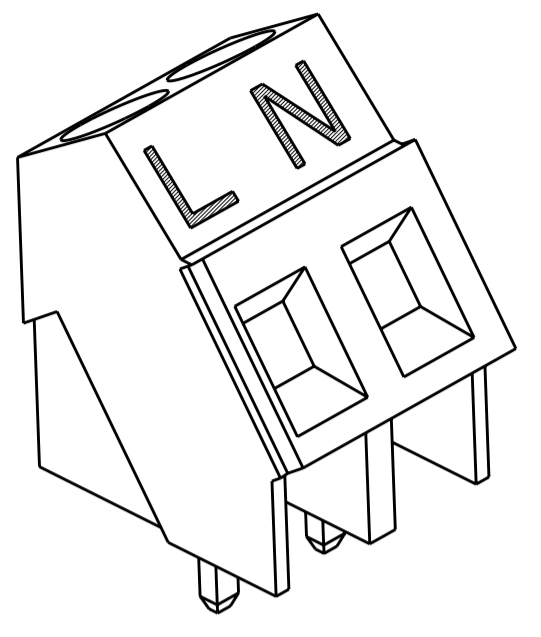
CUSTOMER DRAWING SCALE: 3:1 SHEET 1 OF 2 REV: E3

THIS DRAWING IS UNPUBLISHED. RELEASED FOR PUBLICATION 20  
 © COPYRIGHT 20 BY - ALL RIGHTS RESERVED.

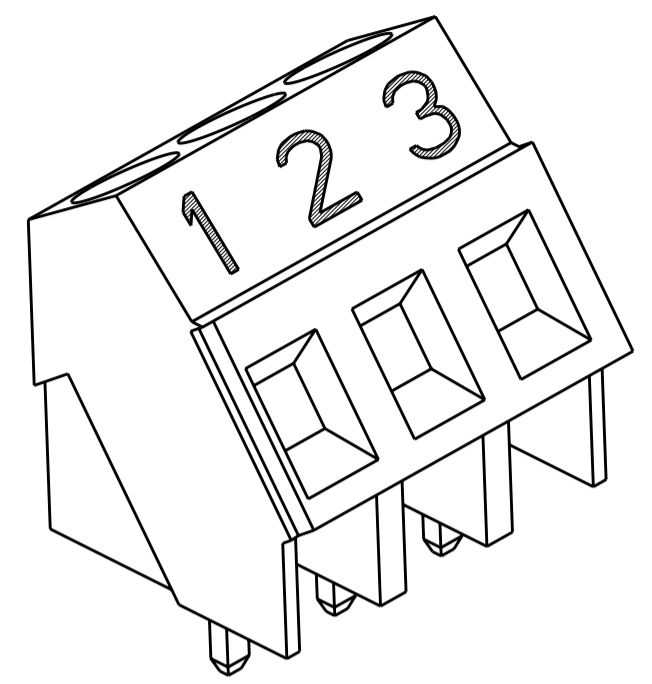
LOC	DIST	REVISIONS			
P	LTR	DESCRIPTION	DATE	DWN	APVD
FT	0	-	SEE SHEET 1	-	-



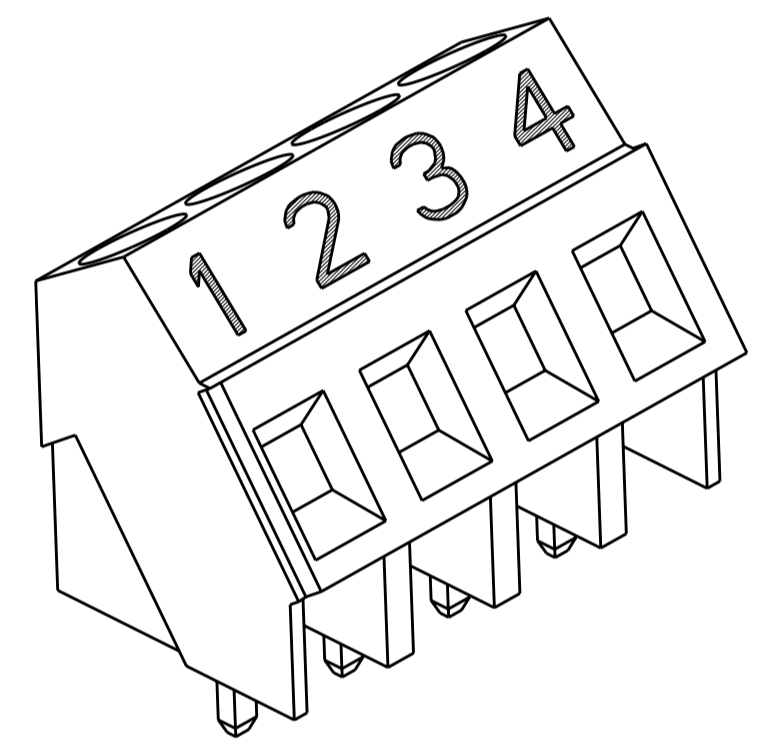
DETAIL A



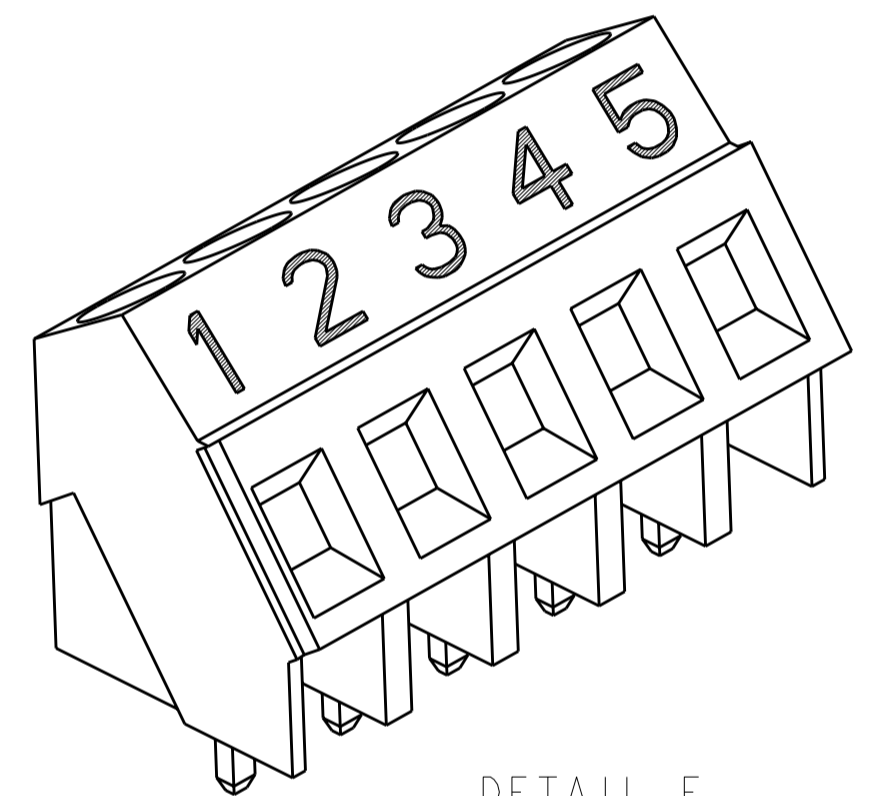
DETAIL B



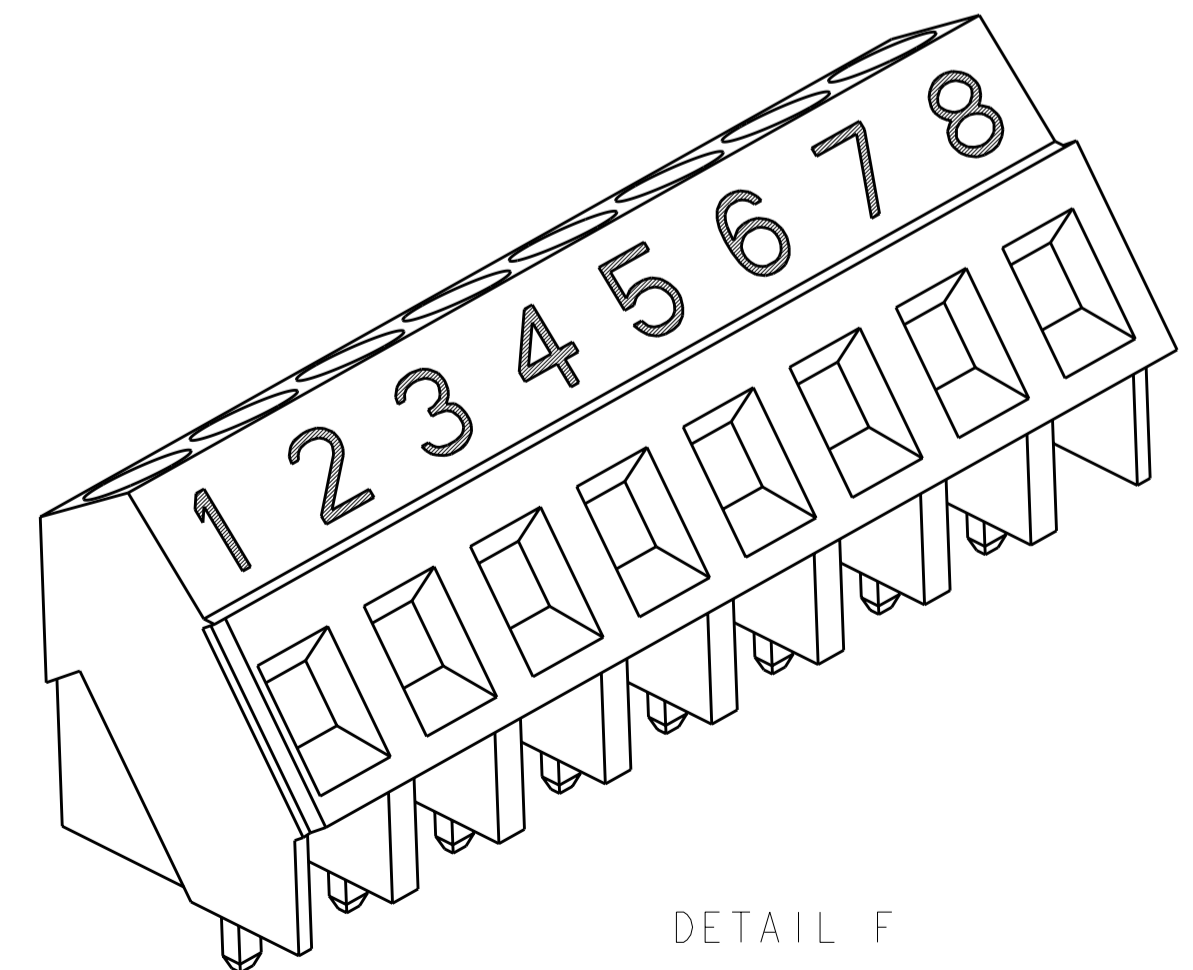
DETAIL C



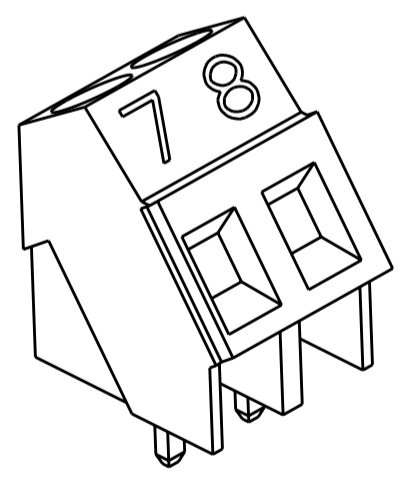
DETAIL D



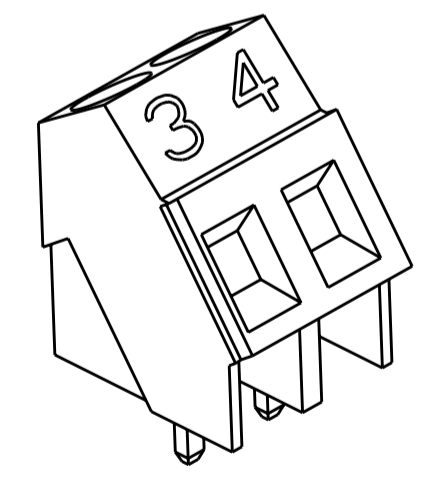
DETAIL E



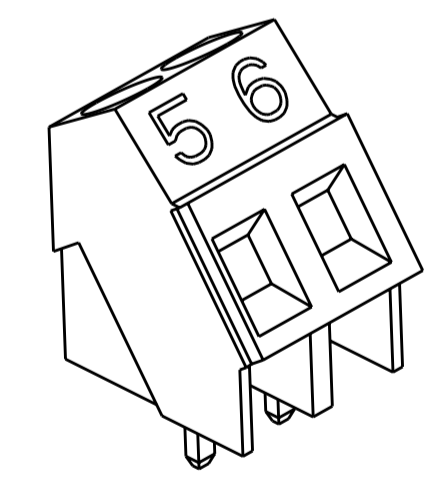
DETAIL F



DETAIL G



DETAIL H



DETAIL J

- 1. MATERIALS AND FINISH:  
 HOUSING: PA 6-6, UL 94-V0, COLOR GREEN.  
 CLAMP: BRASS, NICKEL PLATED.  
 TERMINAL: BRASS, TIN PLATED.  
 CLAMPING SCREW: M3, BRASS, NICKEL PLATED.
- 2. SUITABLE FOR 1,6-2,4mm PCB THICKNESS.
- 3. END-TO-END STACKABLE W/INTERLOCK, WITHOUT LOSS OF CENTERLINE SPACING.
- 4. WIRE RANGE: 12-30 AWG.
- 5. RECOGNIZED UNDER THE COMPONENT PROGRAM OF UNDERWRITERS LABORATORIES INC. FILE N° E60677.
- 6. IMQ CERTIFICATE WITH SURVEILLANCE IN CONFORMITY WITH IEC 998-1/998-2-1.
- 7. NOT CUMULATIVE TOLERANCE.
- 8. INK MARKED WHITE, UNLESS OTHERWISE SPECIFIED. NUMERICAL SEQUENCE FROM LEFT TO RIGHT.
- 9. INK MARKED BLACK, UNLESS OTHERWISE SPECIFIED. NUMERICAL SEQUENCE FROM LEFT TO RIGHT.
- 10. BUCHANAN LOGO TO APPEAR ON HOUSING, LOCATION OPTIONAL, WHERE SPACE PERMITS.

THIS DRAWING IS A CONTROLLED DOCUMENT.		DWN E. ZANOLINI	14MAR2001	<b>STE</b> TE Connectivity
DIMENSIONS: mm		CHK D. BIEVENOUR	14MAR2001	
TOLERANCES UNLESS OTHERWISE SPECIFIED:		APVD D. BIEVENOUR	14MAR2001	
0 PLC ±3 1 PLC ±.3 2 PLC ±.25 3 PLC ±. 4 PLC ±. ANGLES ±2 FINISH		PRODUCT SPEC 108-20166	APPLICATION SPEC 114-20079	
MATERIAL		WEIGHT	-	NAME TERMINAL BLOCK, PCB MOUNT ANGLED WIRE ENTRY, STACKING W/INTERLOCK, 5mm PITCH
				SIZE A2
CUSTOMER DRAWING		SCALE 3:1		CAGE CODE A200779
		DRAWING NO G-796690		RESTRICTED TO -
		SHEET 2 OF 2		REV E3

# Mouser Electronics

Authorized Distributor

Click to View Pricing, Inventory, Delivery & Lifecycle Information:

[TE Connectivity:](#)

[796690-8](#)