

FEATURES

- UL 60950 Recognised
- Efficiency to 89% (Typ.)
- Wide temperature performance at full 1 Watt load, -40°C to 85°C
- Industry standard pinout
- 3kVDC isolation (1 minute) 'Hi Pot Test'
- 5V, 12V, 15V, 24V, & 48V inputs
- 5V, 9V, 12V, & 15V output
- No external components required
- No electrolytic or tantalum capacitors
- Pin compatible with MEV3, NMK & NMV series

PRODUCT OVERVIEW

The MEV series is the new high performance version of our 1W NMV series. The MEV series is more efficient and offers improved regulation performance from 1.8% for applications where a wide output voltage variation can not be tolerated. They are ideally suited for providing local supplies on control system boards with the added benefit of 3kVDC galvanic isolation to reduce switching noise. The MEV series is currently available in an industry SIP 7 or DIP 14 package.

SELECTION GUIDE - SINGLE OUTPUT¹

| Order Code | Nominal Input Voltage | Output Voltage | Output Current | Input Current at Rated Load | Load Regulation (Typ) | Load Regulation (Max) | Ripple & Noise (Typ) ² | Ripple & Noise (Max) ² | Efficiency (Min) | Efficiency (Typ) | Isolation Capacitance | MTTF ³ | Package Style |
|-------------|-----------------------|----------------|----------------|-----------------------------|-----------------------|-----------------------|-----------------------------------|-----------------------------------|------------------|------------------|-----------------------|-------------------|---------------|
| | V | V | mA | | % | % | mVp-p | mVp-p | % | % | pF | kHrs | |
| MEV1S0505SC | 5 | 5 | 200 | 233 | 5.4 | 6.2 | 20 | 30 | 81 | 84 | 38 | 7684 | SIP |
| MEV1S0509SC | 5 | 9 | 111 | 227 | 4.2 | 5.5 | 12 | 20 | 83.5 | 86.5 | 42 | 7698 | SIP |
| MEV1S0512SC | 5 | 12 | 84 | 226 | 4.6 | 5.5 | 10 | 20 | 84 | 87 | 40 | 7175 | SIP |
| MEV1S0515SC | 5 | 15 | 67 | 225 | 4.5 | 5 | 8 | 15 | 85 | 87.5 | 39 | 6496 | SIP |
| MEV1S1205SC | 12 | 5 | 200 | 98 | 4.5 | 5 | 12 | 15 | 80 | 84 | 28 | 7569 | SIP |
| MEV1S1209SC | 12 | 9 | 111 | 96 | 3 | 3.3 | 8 | 15 | 83 | 86 | 50 | 7317 | SIP |
| MEV1S1212SC | 12 | 12 | 84 | 94 | 3 | 3.6 | 7 | 15 | 85.5 | 88 | 70 | 6647 | SIP |
| MEV1S1215SC | 12 | 15 | 67 | 94 | 2.5 | 2.9 | 7 | 15 | 83.5 | 88 | 59 | 6279 | SIP |
| MEV1S1505SC | 15 | 5 | 200 | 79 | 4 | 5 | 10 | 20 | 80 | 83.5 | 32 | 7167 | SIP |
| MEV1S1509SC | 15 | 9 | 111 | 77 | 2.5 | 3.5 | 8 | 20 | 82.5 | 86.5 | 52 | 6906 | SIP |
| MEV1S1512SC | 15 | 12 | 84 | 76 | 2.3 | 3.5 | 6 | 15 | 83.5 | 87.5 | 63 | 6523 | SIP |
| MEV1S1515SC | 15 | 15 | 67 | 76 | 2.5 | 3.5 | 6 | 15 | 85 | 89 | 87 | 5916 | SIP |
| MEV1S2405SC | 24 | 5 | 200 | 50 | 3.3 | 5 | 12 | 20 | 79 | 84 | 38 | 7391 | SIP |
| MEV1S2409SC | 24 | 9 | 111 | 48 | 2.2 | 3.5 | 8 | 20 | 81 | 86.5 | 56 | 6490 | SIP |
| MEV1S2412SC | 24 | 12 | 84 | 48 | 2 | 3.5 | 7 | 15 | 82 | 87.5 | 72 | 6772 | SIP |
| MEV1S2415SC | 24 | 15 | 67 | 48 | 1.8 | 3 | 7 | 15 | 82 | 87.5 | 83 | 5957 | SIP |
| MEV1S4805SC | 48 | 5 | 200 | 26 | 3.3 | 5 | 19 | 35 | 75.5 | 79.5 | 34 | 7354 | SIP |
| MEV1S4809SC | 48 | 9 | 111 | 25 | 2.4 | 3.5 | 13 | 25 | 78.5 | 82 | 54 | 7120 | SIP |
| MEV1S4812SC | 48 | 12 | 84 | 26 | 2 | 3 | 10 | 20 | 78 | 82 | 63 | 7088 | SIP |
| MEV1S4815SC | 48 | 15 | 67 | 26 | 1.9 | 3 | 9 | 20 | 79 | 82.5 | 74 | 7238 | SIP |
| MEV1S0505DC | 5 | 5 | 200 | 234 | 5.4 | 6.5 | 15 | 30 | 81 | 84 | 39 | 6884 | DIP |
| MEV1S0509DC | 5 | 9 | 111 | 228 | 4.2 | 5.5 | 9 | 20 | 83 | 86.5 | 40 | 6732 | DIP |
| MEV1S0512DC | 5 | 12 | 84 | 228 | 5.0 | 5.7 | 8 | 15 | 84 | 87 | 39 | 6153 | DIP |
| MEV1S0515DC | 5 | 15 | 67 | 226 | 4.4 | 5.5 | 8 | 15 | 84 | 87.5 | 38 | 5419 | DIP |
| MEV1S1205DC | 12 | 5 | 200 | 98 | 4.6 | 5.5 | 11 | 20 | 80 | 84 | 34 | 6644 | DIP |
| MEV1S1209DC | 12 | 9 | 111 | 96 | 3 | 3.5 | 8 | 15 | 82 | 86 | 50 | 6434 | DIP |
| MEV1S1212DC | 12 | 12 | 84 | 93 | 3.1 | 3.7 | 7 | 15 | 84 | 88 | 52 | 5653 | DIP |
| MEV1S1215DC | 12 | 15 | 67 | 94 | 2.5 | 3.3 | 6 | 15 | 83 | 88 | 60 | 5267 | DIP |
| MEV1S1505DC | 15 | 5 | 200 | 79 | 4 | 5.2 | 11 | 25 | 79 | 83.5 | 32 | 6332 | DIP |
| MEV1S1509DC | 15 | 9 | 111 | 77 | 2.6 | 3.3 | 7 | 20 | 81 | 86.5 | 52 | 6114 | DIP |
| MEV1S1512DC | 15 | 12 | 84 | 76 | 2.3 | 3 | 6 | 15 | 83 | 87.5 | 63 | 5767 | DIP |
| MEV1S1515DC | 15 | 15 | 67 | 75 | 2.5 | 3.2 | 6 | 15 | 84 | 89 | 87 | 5002 | DIP |
| MEV1S2405DC | 24 | 5 | 200 | 50 | 3.4 | 4.5 | 16 | 30 | 79 | 84 | 38 | 6488 | DIP |
| MEV1S2409DC | 24 | 9 | 111 | 48 | 2.3 | 3.3 | 9 | 20 | 82 | 86.5 | 55 | 5693 | DIP |
| MEV1S2412DC | 24 | 12 | 84 | 48 | 2 | 3 | 7 | 15 | 83 | 87.5 | 73 | 5736 | DIP |
| MEV1S2415DC | 24 | 15 | 67 | 48 | 1.8 | 3 | 6 | 15 | 83 | 87.5 | 84 | 4915 | DIP |

1. For dual output variants, see page 2.
2. See Ripple & Noise characterisation method.
3. Calculated using MIL-HDBK-217F FN2 with nominal input voltage at full load.

All specifications typical at T_a=25°C, nominal input voltage and rated output current unless otherwise specified.



For full details go to
www.murata-ps.com/rohs



SELECTION GUIDE - DUAL OUTPUT¹

| Order Code | Nominal Input Voltage | Output Voltage | Output Current | Input Current at Rated Load | Load Regulation (Typ) | Load Regulation (Max) | Ripple & Noise (Typ) ² | Ripple & Noise (Max) ² | Efficiency (Min) | Efficiency (Typ) | Isolation Capacitance | MTTF ³ | Package Style |
|-------------|-----------------------|----------------|----------------|-----------------------------|-----------------------|-----------------------|-----------------------------------|-----------------------------------|------------------|------------------|-----------------------|-------------------|---------------|
| | V | V | mA | | % | | mVp-p | | % | | pF | kHrs | |
| MEV1D0505SC | 5 | ±5 | ±100 | 233 | 5.1 | 6.5 | 14 | 35 | 82 | 85 | 42 | 4585 | SIP |
| MEV1D0509SC | 5 | ±9 | ±56 | 228 | 4.1 | 5.2 | 11 | 30 | 84 | 87 | 42 | 4565 | SIP |
| MEV1D0512SC | 5 | ±12 | ±42 | 228 | 4.2 | 5.4 | 9 | 25 | 85 | 87.5 | 38 | 4114 | SIP |
| MEV1D0515SC | 5 | ±15 | ±33 | 225 | 4.0 | 5.2 | 9 | 25 | 85 | 88 | 38 | 3544 | SIP |
| MEV1D1205SC | 12 | ±5 | ±100 | 98 | 3.8 | 4.5 | 13 | 35 | 81 | 85 | 33 | 4179 | SIP |
| MEV1D1209SC | 12 | ±9 | ±56 | 95 | 2.7 | 3.5 | 10 | 25 | 83 | 87 | 53 | 4679 | SIP |
| MEV1D1212SC | 12 | ±12 | ±42 | 93 | 2.7 | 3.4 | 8 | 20 | 85 | 89.5 | 64 | 3932 | SIP |
| MEV1D1215SC | 12 | ±15 | ±33 | 94 | 2.2 | 3 | 7 | 20 | 85 | 88.5 | 74 | 3362 | SIP |
| MEV1D1505SC | 15 | ±5 | ±100 | 78 | 3.3 | 4.0 | 14 | 35 | 81 | 84.5 | 33 | 4058 | SIP |
| MEV1D1509SC | 15 | ±9 | ±56 | 76 | 2.2 | 2.9 | 10 | 30 | 83 | 87 | 47 | 4171 | SIP |
| MEV1D1512SC | 15 | ±12 | ±42 | 76 | 2.1 | 3.0 | 8 | 25 | 84 | 88 | 67 | 3746 | SIP |
| MEV1D1515SC | 15 | ±15 | ±33 | 75 | 2.3 | 3.0 | 7 | 20 | 87 | 90.5 | 112 | 3127 | SIP |
| MEV1D2405SC | 24 | ±5 | ±100 | 49 | 2.9 | 4.0 | 13 | 35 | 81 | 84 | 36 | 4648 | SIP |
| MEV1D2409SC | 24 | ±9 | ±56 | 47 | 1.9 | 2.7 | 12 | 35 | 83 | 86 | 52 | 4574 | SIP |
| MEV1D2412SC | 24 | ±12 | ±42 | 47 | 1.8 | 2.7 | 10 | 30 | 85 | 88 | 78 | 4009 | SIP |
| MEV1D2415SC | 24 | ±15 | ±33 | 47 | 1.5 | 2.4 | 9 | 25 | 84 | 88 | 81 | 3232 | SIP |
| MEV1D4805SC | 48 | ±5 | ±100 | 26 | 2.6 | 3.3 | 21 | 50 | 77 | 80 | 32 | 4791 | SIP |
| MEV1D4809SC | 48 | ±9 | ±56 | 25 | 1.6 | 2.4 | 14 | 40 | 80 | 83 | 54 | 3843 | SIP |
| MEV1D4812SC | 48 | ±12 | ±42 | 25 | 1.4 | 2.2 | 13 | 35 | 81 | 84 | 79 | 3301 | SIP |
| MEV1D4815SC | 48 | ±15 | ±33 | 25 | 1.3 | 2.2 | 12 | 30 | 82 | 85 | 79 | 2977 | SIP |
| MEV1D0505DC | 5 | ±5 | ±100 | 233 | 5.1 | 6.5 | 14 | 35 | 82 | 85 | 42 | 4585 | DIP |
| MEV1D0509DC | 5 | ±9 | ±56 | 228 | 4.1 | 5.2 | 11 | 30 | 84 | 87 | 42 | 4565 | DIP |
| MEV1D0512DC | 5 | ±12 | ±42 | 228 | 4.2 | 5.4 | 9 | 25 | 85 | 87.5 | 38 | 4114 | DIP |
| MEV1D0515DC | 5 | ±15 | ±33 | 225 | 4.0 | 5.2 | 9 | 25 | 85 | 88 | 38 | 3544 | DIP |
| MEV1D1205DC | 12 | ±5 | ±100 | 98 | 3.8 | 4.5 | 13 | 35 | 81 | 85 | 33 | 4179 | DIP |
| MEV1D1209DC | 12 | ±9 | ±56 | 95 | 2.7 | 3.5 | 10 | 25 | 83 | 87 | 53 | 4679 | DIP |
| MEV1D1212DC | 12 | ±12 | ±42 | 93 | 2.7 | 3.4 | 8 | 20 | 85 | 89.5 | 64 | 3932 | DIP |
| MEV1D1215DC | 12 | ±15 | ±33 | 94 | 2.2 | 3 | 7 | 20 | 85 | 88.5 | 74 | 3362 | DIP |
| MEV1D1505DC | 15 | ±5 | ±100 | 78 | 3.3 | 4 | 14 | 35 | 81 | 84.5 | 33 | 4058 | DIP |
| MEV1D1509DC | 15 | ±9 | ±56 | 76 | 2.2 | 2.9 | 10 | 30 | 83 | 87 | 47 | 4171 | DIP |
| MEV1D1512DC | 15 | ±12 | ±42 | 76 | 2.1 | 3.0 | 8 | 25 | 84 | 88 | 67 | 3746 | DIP |
| MEV1D1515DC | 15 | ±15 | ±33 | 75 | 2.3 | 3.0 | 7 | 20 | 87 | 90.5 | 112 | 3127 | DIP |
| MEV1D2405DC | 24 | ±5 | ±100 | 49 | 2.9 | 4 | 13 | 35 | 81 | 84 | 36 | 4648 | DIP |
| MEV1D2409DC | 24 | ±9 | ±56 | 47 | 1.9 | 2.7 | 12 | 35 | 83 | 86 | 52 | 4574 | DIP |
| MEV1D2412DC | 24 | ±12 | ±42 | 47 | 1.8 | 2.7 | 10 | 30 | 85 | 88 | 78 | 4009 | DIP |
| MEV1D2415DC | 24 | ±15 | ±33 | 47 | 1.5 | 2.4 | 9 | 25 | 84 | 87.5 | 81 | 3232 | DIP |

1. For single output variants, see page 1.

2. See Ripple & Noise characterisation method.

3. Calculated using MIL-HDBK-217F FN2 with nominal input voltage at full load.

All specifications typical at T_a=25°C, nominal input voltage and rated output current unless otherwise specified.

| INPUT CHARACTERISTICS | | | | | |
|--------------------------|---------------------------------------|------|------|------|--------|
| Parameter | Conditions | Min. | Typ. | Max. | Units |
| Voltage range | Continuous operation, 5V input types | 4.5 | 5 | 5.5 | V |
| | Continuous operation, 12V input types | 10.8 | 12 | 13.2 | |
| | Continuous operation, 15V input types | 13.5 | 15 | 16.5 | |
| | Continuous operation, 24V input types | 21.6 | 24 | 26.4 | |
| | Continuous operation, 48V input types | 43.2 | 48 | 52.8 | |
| Reflected ripple current | 5V input types | | 11 | 20 | mA p-p |
| | 12V input types | | 5 | 15 | |
| | 15V input types | | 3.5 | 10 | |
| | 24V input types | | 4.7 | 15 | |
| | 48V input types | | 22 | 50 | |

| OUTPUT CHARACTERISTICS | | | | | |
|----------------------------|---------------------------------------------|------|------|------|-------|
| Parameter | Conditions | Min. | Typ. | Max. | Units |
| Rated Power | T _A =-40°C to 85°C | | | 1 | W |
| Voltage Set Point Accuracy | See tolerance envelope | | | | |
| Line regulation | High V _{IN} to low V _{IN} | | 1.05 | 1.1 | %/% |

| ISOLATION CHARACTERISTICS | | | | | |
|---------------------------|---------------------------|------|------|------|-------|
| Parameter | Conditions | Min. | Typ. | Max. | Units |
| Isolation test voltage | Flash tested for 1 minute | 3000 | | | VDC |
| Resistance | Viso= 1000VDC | 10 | | | GΩ |

| GENERAL CHARACTERISTICS | | | | | |
|-------------------------------------------|------------------------------------------------------------------------------|------|------|------|-------|
| Parameter | Conditions | Min. | Typ. | Max. | Units |
| Switching frequency - single output types | 5V input types | | 60 | | kHz |
| | 12V input types & MEV1Sx1515xC | | 75 | | |
| | 24V input types & MEV1Sx1505SxC, MEV1Sx1509SxC, MEV1Sx1512SxC | | 85 | | |
| | 48V input types | | 65 | | |
| Switching frequency - dual output types | MEV1D4812xC, MEV1D4815xC | | 55 | | |
| | MEV1D05xxC, MEV1D1212xC, MEV1D1515xC, MEV1D4805xC, MEV1D4809xC | | 60 | | |
| | MEV1D1205xC, MEV1D2412xC | | 75 | | |
| | MEV1D1209xC, MEV1D1215xC, MEV1D1505xC, MEV1D1512xC, MEV1D2405xC, MEV1D2415xC | | 80 | | |
| | MEV1D1509xC, MEV1D2409xC | | 90 | | |

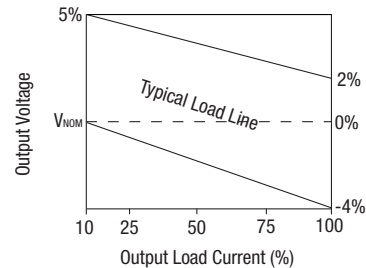
| TEMPERATURE CHARACTERISTICS | | | | | |
|--------------------------------|-----------------------|------|------|------|-------|
| Parameter | Conditions | Min. | Typ. | Max. | Units |
| Specification | All output types | -40 | | 85 | °C |
| Storage | | -50 | | 125 | |
| Case Temperature above ambient | 24V & 48V input types | | | 20 | |
| | All other types | | | 15 | |
| Cooling | Free air convection | | | | |

| ABSOLUTE MAXIMUM RATINGS | |
|-------------------------------------------------|-------|
| Lead temperature 1.5mm from case for 10 seconds | 260°C |
| Input voltage V _{IN} , MEV05 types | 7V |
| Input voltage V _{IN} , MEV12 types | 15V |
| Input voltage V _{IN} , MEV15 types | 18V |
| Input voltage V _{IN} , MEV24 types | 28V |
| Input voltage V _{IN} , MEV48 types | 54V |

TEMPERATURE DERATING GRAPH



TOLERANCE ENVELOPE



The voltage tolerance envelope shows typical load regulation characteristics for this product series. The tolerance envelope is the maximum output voltage variation due to changes in output loading.

TECHNICAL NOTES

ISOLATION VOLTAGE

'Hi Pot Test', 'Flash Tested', 'Withstand Voltage', 'Proof Voltage', 'Dielectric Withstand Voltage' & 'Isolation Test Voltage' are all terms that relate to the same thing, a test voltage, applied for a specified time, across a component designed to provide electrical isolation, to verify the integrity of that isolation.

Murata Power Solutions MEV1 series of DC-DC converters are all 100% production tested at their stated isolation voltage. This is 3kVDC for 1 minute.

A question commonly asked is, "What is the continuous voltage that can be applied across the part in normal operation?"

The MEV1 has been recognized by Underwriters Laboratory for functional insulation, both input and output should normally be maintained within SELV limits i.e. less than 42.4V peak, or 60VDC. The isolation test voltage represents a measure of immunity to transient voltages and the part should never be used as an element of a safety isolation system. The part could be expected to function correctly with several hundred volts offset applied continuously across the isolation barrier; but then the circuitry on both sides of the barrier must be regarded as operating at an unsafe voltage and further isolation/insulation systems must form a barrier between these circuits and any user-accessible circuitry according to safety standard requirements.

REPEATED HIGH-VOLTAGE ISOLATION TESTING

It is well known that repeated high-voltage isolation testing of a barrier component can actually degrade isolation capability, to a lesser or greater degree depending on materials, construction and environment. The MEV1 series has toroidal isolation transformers, with no additional insulation between primary and secondary windings of enamelled wire. While parts can be expected to withstand several times the stated test voltage, the isolation capability does depend on the wire insulation. Any material, including this enamel (typically polyurethane) is susceptible to eventual chemical degradation when subject to very high applied voltages thus implying that the number of tests should be strictly limited. We therefore strongly advise against repeated high voltage isolation testing, but if it is absolutely required, that the voltage be reduced by 20% from specified test voltage.

This consideration equally applies to agency recognised parts rated for better than functional isolation where the wire enamel insulation is always supplemented by a further insulation system of physical spacing or barriers.

SAFETY APPROVAL

The MEV1 series has been recognised by Underwriters Laboratory (UL) to UL60950 for functional insulation in a maximum still air ambient temperature of 85°C and/or case temperature limit (case temperature measured on the face opposite the pins) as follows:

- MEV1SxxxxSC: 130°C
- MEV1SxxxxDC: 130°C
- MEV1DxxxxSC: 94°C
- MEV1DxxxxDC: 96°C

The MEV1 Series of converters are not internally fused so to meet the requirements of UL60950 an anti-surge input line fuse should always be used with ratings as defined below.

- MEV1x05xxxC: 1A
- MEV1x12xxxC: 0.375A
- MEV1x15xxxC: 0.375A
- MEV1x24xxxC: 0.2A
- MEV1x48xxxC: 0.1A

All fuses should be UL recognized and rated to at least the maximum allowable DC input voltage.

File number E151252 applies.

RoHS COMPLIANT INFORMATION



This series is compatible with RoHS soldering systems with a peak wave solder temperature of 260°C for 10 seconds. The pin termination finish on the SIP package type is Tin Plate, Hot Dipped over Matte Tin with Nickel Preplate. The DIP types are Matte Tin over Nickel Preplate. Both types in this series are backward compatible with Sn/Pb soldering systems.

For further information, please visit www.murata-ps.com/rohs

APPLICATION NOTES

Minimum load

The minimum load to meet datasheet specification is 10% of the full rated load across the specified input voltage range. Lower than 10% minimum loading will result in an increase in output voltage, which may rise to typically double the specified output voltage if the output load falls to less than 5%.

Capacitive loading and start up

Typical start up times for this series, with a typical input voltage rise time of 2.2µs and output capacitance of 10µF, are shown in the table below. The product series will start into a capacitance of 47µF with an increased start time, however, the maximum recommended output capacitance is 10µF.

| Start-up time | | Start-up time | |
|---------------|------|---------------|------|
| µs | | µs | |
| MEV1x0505xC | 585 | MEV1x1512xC | 3045 |
| MEV1x0509xC | 1550 | MEV1x1515xC | 4445 |
| MEV1x0512xC | 2700 | MEV1x2405xC | 440 |
| MEV1x0515xC | 4320 | MEV1x2409xC | 4355 |
| MEV1x1205xC | 605 | MEV1x2412xC | 1855 |
| MEV1x1209xC | 1750 | MEV1x2415xC | 2930 |
| MEV1x1212xC | 3000 | MEV1x4805SC | 580 |
| MEV1x1215xC | 4800 | MEV1x4809SC | 1320 |
| MEV1x1505xC | 660 | MEV1x4812SC | 2075 |
| MEV1x1509xC | 1720 | MEV1x4815SC | 3235 |

Typical Start-Up Wave Form



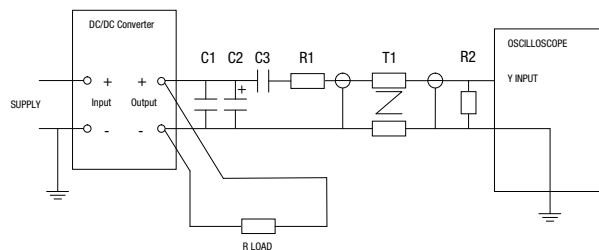
Ripple & Noise Characterisation Method

Ripple and noise measurements are performed with the following test configuration.

| | |
|-------|----------------------------------------------------------------------------------------------------------------------------------------------------------|
| C1 | 1µF X7R multilayer ceramic capacitor, voltage rating to be a minimum of 3 times the output voltage of the DC-DC converter |
| C2 | 10µF tantalum capacitor, voltage rating to be a minimum of 1.5 times the output voltage of the DC-DC converter with an ESR of less than 100mΩ at 100 kHz |
| C3 | 100nF multilayer ceramic capacitor, general purpose |
| R1 | 450Ω resistor, carbon film, ±1% tolerance |
| R2 | 50Ω BNC termination |
| T1 | 3T of the coax cable through a ferrite toroid |
| RLOAD | Resistive load to the maximum power rating of the DC-DC converter. Connections should be made via twisted wires |

Measured values are multiplied by 10 to obtain the specified values.

Differential Mode Noise Test Schematic



APPLICATION NOTES (continued)

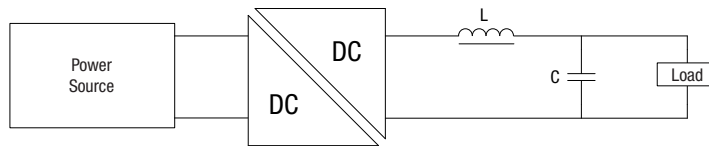
Output Ripple Reduction

By using the values of inductance and capacitance stated, the output ripple at the rated load is lowered to 5mV p-p max.

Component selection

Capacitor: It is required that the ESR (Equivalent Series Resistance) should be as low as possible, ceramic types are recommended. The voltage rating should be at least twice (except for 15V output), the rated output voltage of the DC-DC converter.

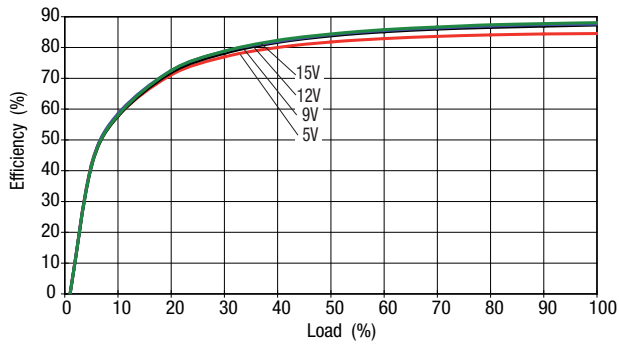
Inductor: The rated current of the inductor should not be less than that of the output of the DC-DC converter. At the rated current, the DC resistance of the inductor should be such that the voltage drop across the inductor is <2% of the rated voltage of the DC-DC converter. The SRF (Self Resonant Frequency) should be >20MHz.



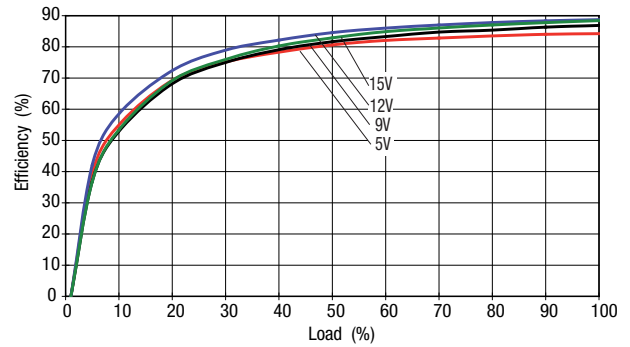
| | Inductor | | | Capacitor |
|-------------|------------|--------|--------------|------------|
| | L, μ H | SMD | Through Hole | C, μ F |
| MEV1x0505xC | 10 | 82103C | 11R103C | 4.7 |
| MEV1x0509xC | 22 | 82223C | 11R223C | 2.2 |
| MEV1x0512xC | 47 | 82473C | 11R473C | 1 |
| MEV1x0515xC | 47 | 82473C | 11R473C | 1 |
| MEV1x1205xC | 10 | 82103C | 11R103C | 4.7 |
| MEV1x1209xC | 22 | 82223C | 11R223C | 2.2 |
| MEV1x1212xC | 47 | 82473C | 11R473C | 1 |
| MEV1x1215xC | 47 | 82473C | 11R473C | 1 |
| MEV1x1505xC | 10 | 82103C | 11R103C | 4.7 |
| MEV1x1509xC | 22 | 82223C | 11R223C | 2.2 |
| MEV1x1512xC | 47 | 82473C | 11R473C | 1 |
| MEV1x1515xC | 47 | 82473C | 11R473C | 1 |
| MEV1x2405xC | 10 | 82103C | 11R103C | 4.7 |
| MEV1x2409xC | 22 | 82223C | 11R223C | 2.2 |
| MEV1x2412xC | 47 | 82473C | 11R473C | 1 |
| MEV1x2415xC | 47 | 82473C | 11R473C | 1 |
| MEV1x4805SC | 10 | 82103C | 11R103C | 4.7 |
| MEV1x4809SC | 22 | 82223C | 11R223C | 2.2 |
| MEV1x4812SC | 47 | 82473C | 11R473C | 1 |
| MEV1x4815SC | 47 | 82473C | 11R473C | 1 |

EFFICIENCY VS LOAD

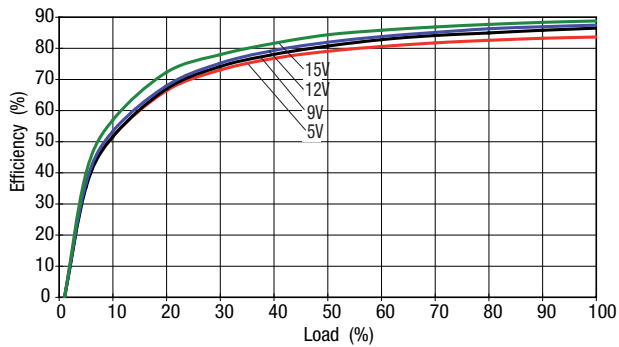
MEV1x05xxSC



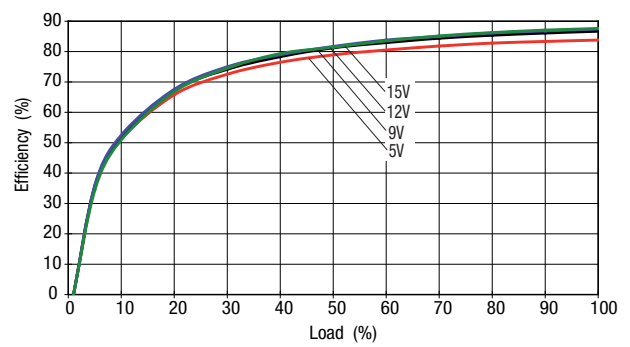
MEV1x12xxSC



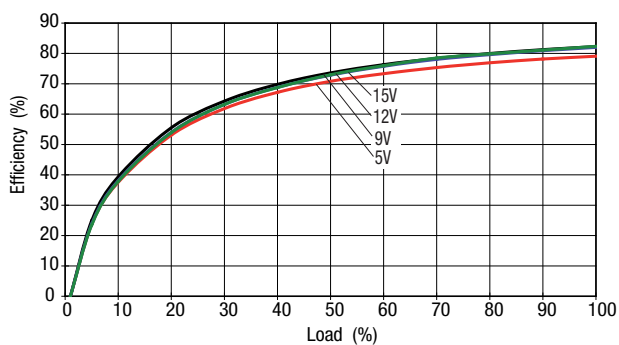
MEV1x15xxSC



MEV1x24xxSC

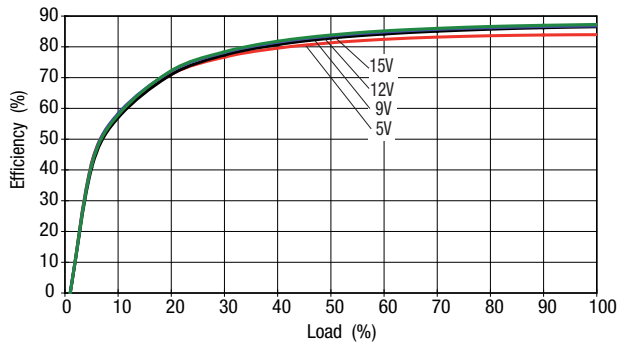


MEV1x48xxSC

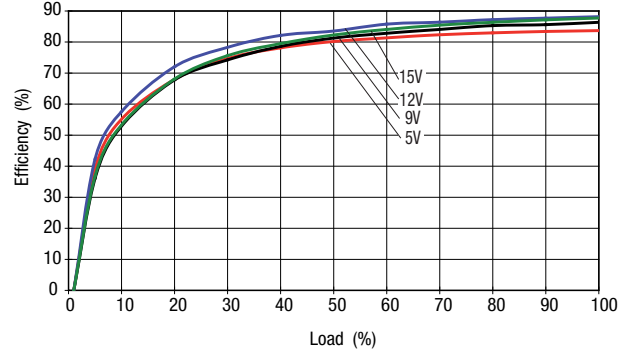


EFFICIENCY VS LOAD

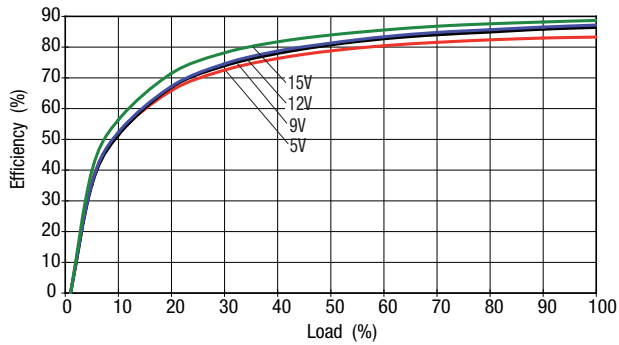
MEV1x05xxDC



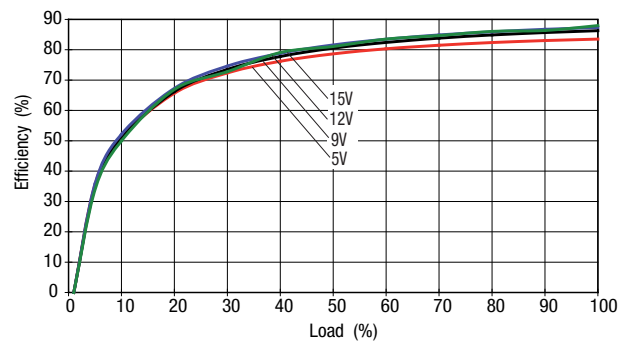
MEV1x12xxDC



MEV1x15xxDC



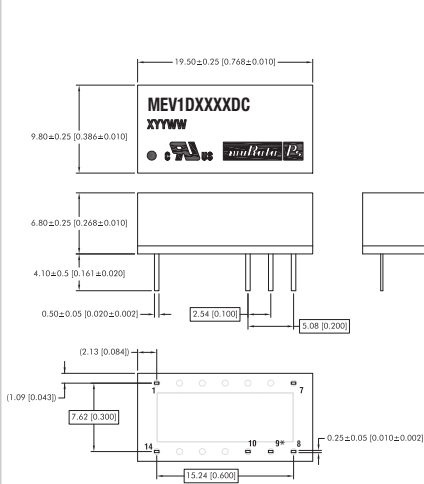
MEV1x24xxDC



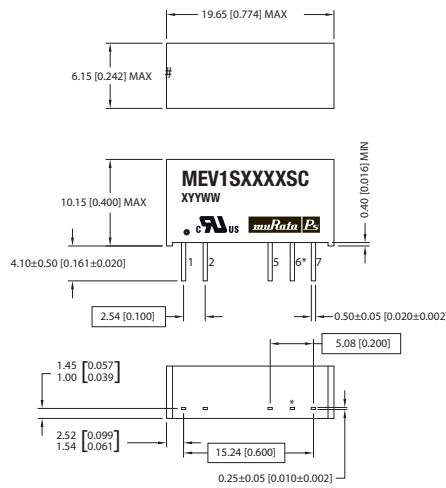
PACKAGE SPECIFICATIONS

MECHANICAL DIMENSIONS

DIP package



SIP package



PIN CONNECTIONS

Single output variants

| 14 Pin DIP | |
|------------|----------|
| Pin | Function |
| 1 | -VIN |
| 7 | NC |
| 8 | +VOUT |
| 10 | -VOUT |
| 14 | +VIN |

| 7 Pin SIP | |
|-----------|----------|
| Pin | Function |
| 1 | +VIN |
| 2 | -VIN |
| 5 | -VOUT |
| 7 | +VOUT |

Dual output variants

| 14 Pin DIP | |
|------------|----------|
| Pin | Function |
| 1 | -VIN |
| 7 | NC |
| 8 | +VOUT |
| 9 | OV |
| 10 | -VOUT |
| 14 | +VIN |

| 7 Pin SIP | |
|-----------|----------|
| Pin | Function |
| 1 | +VIN |
| 2 | -VIN |
| 5 | -VOUT |
| 6 | OV |
| 7 | +VOUT |

* Pin not fitted on single output variants.

*48V input variants 7.65 (0.301) MAX

Unless otherwise stated all dimensions in mm (inches) ±0.25mm (0.010"). Controlling dimensions is mm.

All pins on a 2.54mm (0.100") pitch and within 0.25mm (0.010") of true position.

Weight:

2.6g (DIP)

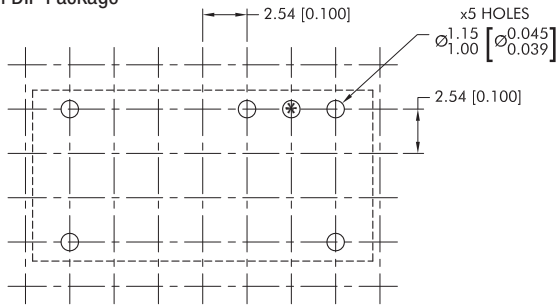
2.8g (SIP - 48V variants)

2.5g (all other SIP)

PACKAGE SPECIFICATIONS (continued)

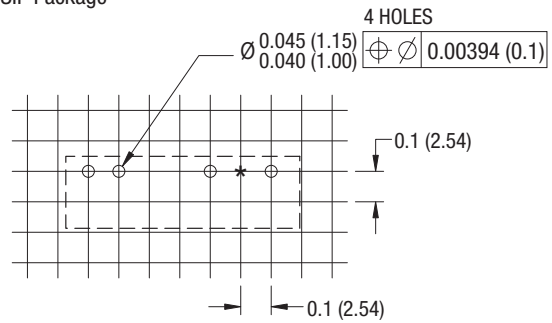
RECOMMENDED FOOTPRINT DETAILS

14 Pin DIP Package



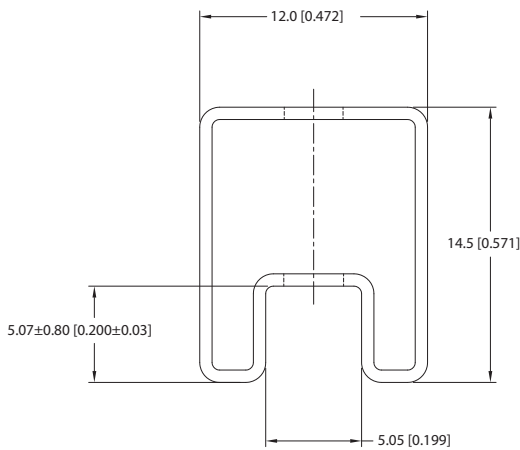
* Hole not required for single output variants.

7 Pin SIP Package

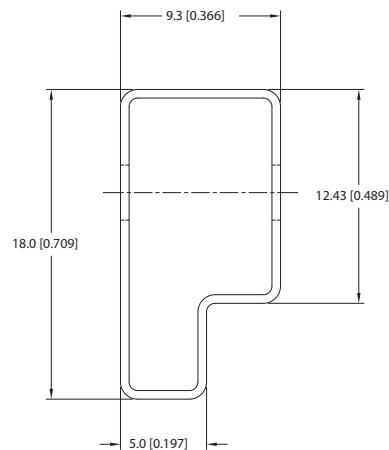


TUBE OUTLINE DIMENSIONS

14 Pin DIP Tube



7 Pin SIP Tube



Unless otherwise specified all dimensions in mm [inches] ±0.55mm [0.022].
 Tube length (14 Pin DIP) : 520mm [20.472] ±2.0 [0.079].
 Tube length (7 Pin SIP) : 520mm [20.472] ±2.0 [0.079].

Tube Quantity : 25



This product is subject to the following **operating requirements** and the **Life and Safety Critical Application Sales Policy**:

Refer to: <http://www.murata-ps.com/requirements/>

Murata Power Solutions, Inc. makes no representation that the use of its products in the circuits described herein, or the use of other technical information contained herein, will not infringe upon existing or future patent rights. The descriptions contained herein do not imply the granting of licenses to make, use, or sell equipment constructed in accordance therewith. Specifications are subject to change without notice. © 2018 Murata Power Solutions, Inc.

Mouser Electronics

Authorized Distributor

Click to View Pricing, Inventory, Delivery & Lifecycle Information:

[Murata:](#)

[MEV1S0505SC](#) [MEV1S0509SC](#) [MEV1S0512SC](#) [MEV1S0515SC](#) [MEV1S1205SC](#) [MEV1S1209SC](#) [MEV1S1212SC](#)
[MEV1S1215SC](#)