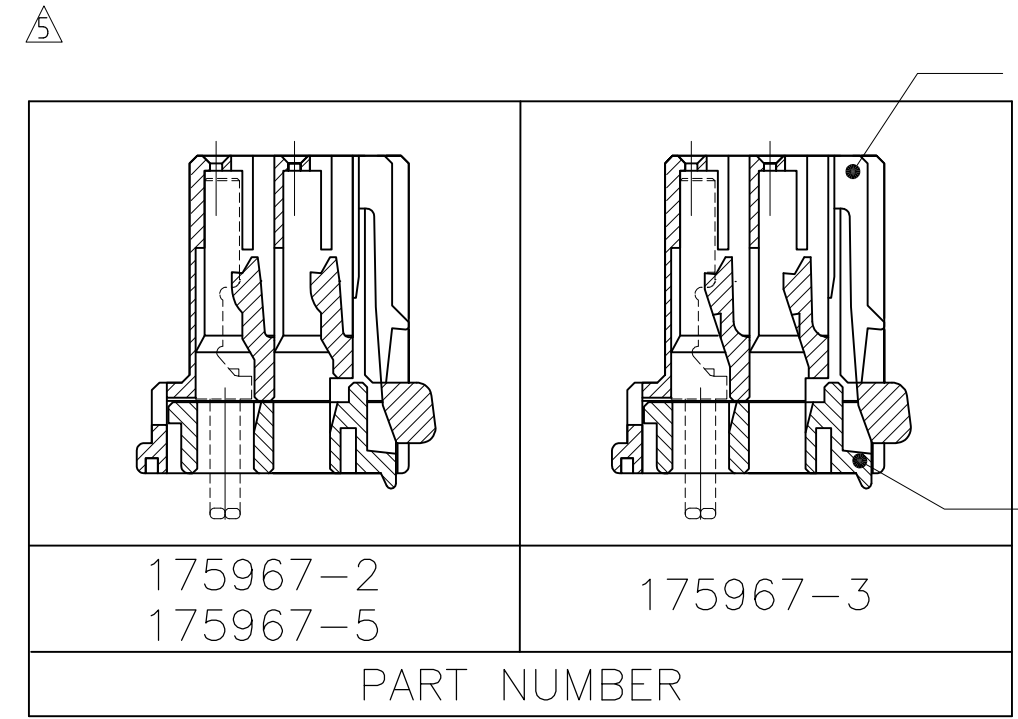
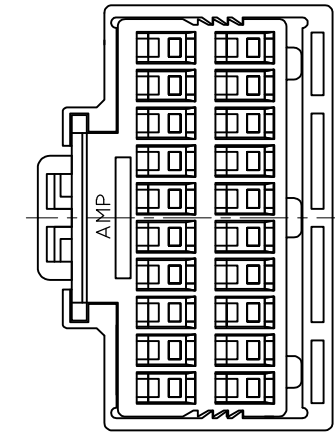
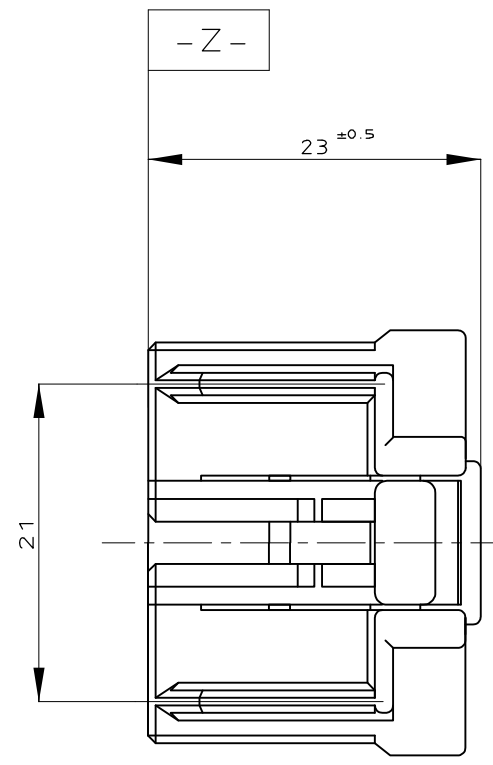
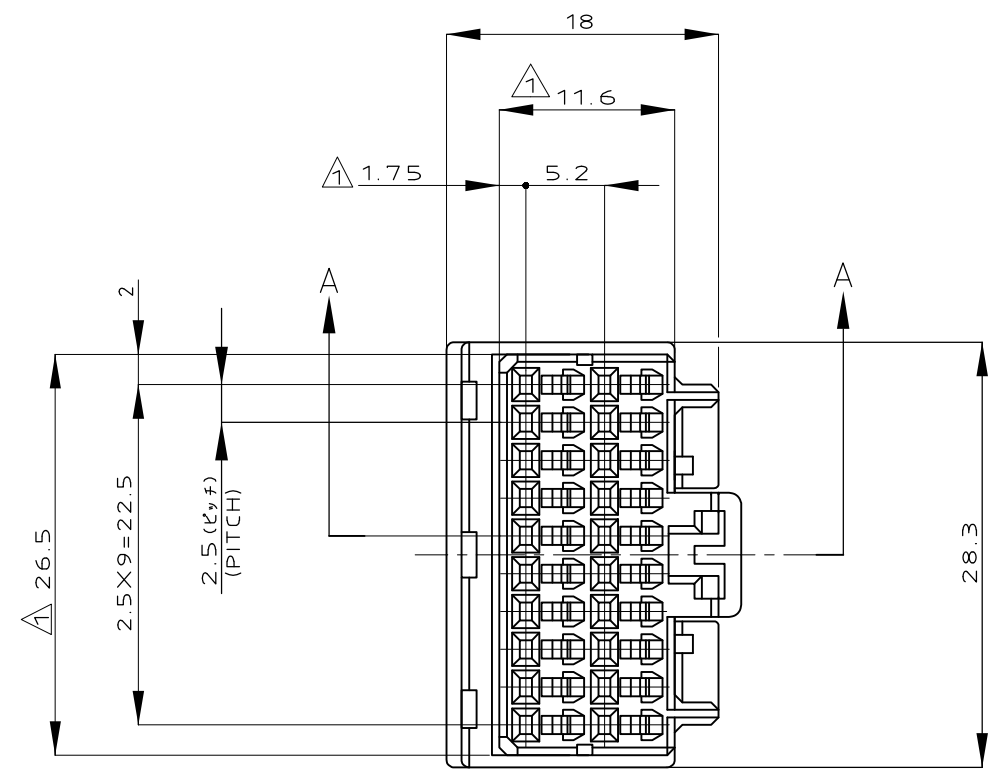


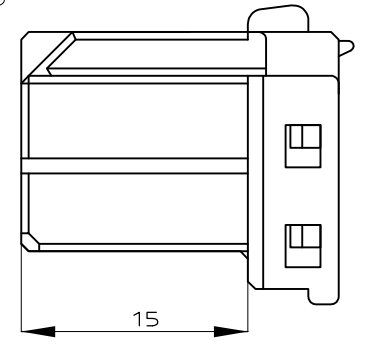
THIS DRAWING IS UNPUBLISHED. RELEASED FOR PUBLICATION  
 © COPYRIGHT - By - ALL RIGHTS RESERVED.

LOC	DIST	REVISIONS 変更					
J	-	P	LTR	DESCRIPTION	DATE	DWN	APVD
		B1		REVISED PER ECO-11-005140	28MAR11	RK	HMR



PLUG HOUSING

DOUBLE LOCK PLATE



- ① MUST BE KEPT BETWEEN -Z- AND 2mm
- ② THE MATING CAP HSG. PART NUMBER; 175975,174912,175977
- ③ APPLIED CONTACT P/N; 173681
- ④ APPLICABLE PRODUCT SPEC NO.; 108-5281
- ⑤ THIS PLUG HOUSING HAVE TWO KINDS OF LANCE TYPE

- ① -Z- 面より2mmの範囲で測定。
- ② 嵌合相手ハウジング型番：175975,174912,175977
- ③ 内装するリセプタクルコンタクト型番：173681
- ④ 適用製品規格番号：108-5281
- ⑤ 本プラグハウジングは2タイプのランス形状がある

175967-2	175967-3
175967-5	
PART NUMBER	

BLUE	175967-5
BLACK	175967-3
BLACK	175967-2
COLOR	PART NUMBER

A - A

TOLERANCE UNLESS OTHERWISE SPECIFIED: 一般公差

0 < x ≤ 10	: ±0.2
10 < x ≤ 30	: ±0.25
30 < x ≤ 100	: ±0.3
ANGLE ; 角度	: ±3°

THIS DRAWING IS A CONTROLLED DOCUMENT.		DWN K. SUZUKI 24OCT89	<b>STE</b> TE Connectivity		
DIMENSIONS: 単位: 耗 mm		CHK Y. MATSUSAKA 19DEC89			
TOLERANCES UNLESS OTHERWISE SPECIFIED: 一般公差		APVD M. NOGUCHI 26DEC89	NAME 名称 040 SERIES MULTILOCK I/O CONNECTOR MK-II 20POSITION PLUG HOUSING ASSEMBLY		
MATERIAL 材料 PBT		PRODUCT SPEC 製品規格 108-5281	SIZE A3	CAGE CODE 00779	DRAWING NO 番号 C-175967
FINISH 仕上 COLOR HOUSING; SEE TABLE PLATE; NATURAL		APPLICATION SPEC 取付適用規格	WEIGHT 4.9 g	RESTRICTED TO	
CUSTOMER DRAWING			SCALE 尺度 2:1	SHEET 1 OF 1	REV B1

# Mouser Electronics

Authorized Distributor

Click to View Pricing, Inventory, Delivery & Lifecycle Information:

[TE Connectivity:](#)

[175967-3](#)