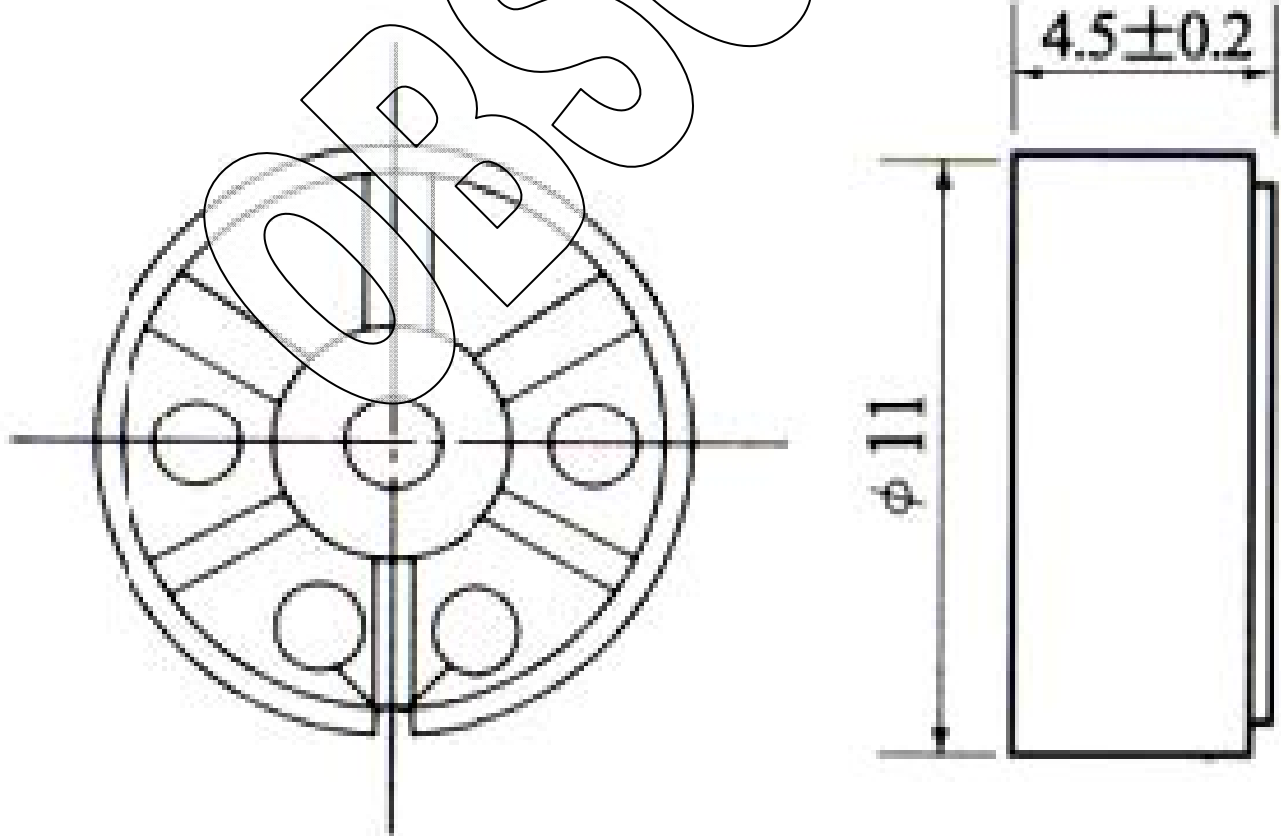


Specifications:

Voice Coil Impedance (Ω)	$8 \pm 15\%$ at 800 Hz / 1.0 V
Rated Input (W)	0.25
Max. Input (W)	0.30
Lowest Resonance Freq Fo (Hz)	$1600 \pm 20\%$
Frequency Range (Hz)	Fo ~ 9000
Output S.P.L. (dB)	75 ± 3 at 1W 1M, 8k, 1k, 1.2k, 1.5kHz
Magnet Size (mm)	$\phi 10.5 \times 1.0$
Magnet	Ferrite
Core Material	Transparent Radial
Frame Material	Plastic
Operating / Storage Temp	-25 to 50°C
Options	For other options contact factory

Dimensions: (units: mm)

ROHS Compliant



Mouser Electronics

Authorized Distributor

Click to View Pricing, Inventory, Delivery & Lifecycle Information:

[Mallory Sonalert:](#)

[PSR-11N08S-JQ](#) [PSR-27N08S01-JQ](#) [PSR-36N08A-JQ](#) [PSR-40F08S02-JQ](#) [PSR-45N08A-JQ](#) [PSR-50F08S-JQ](#)