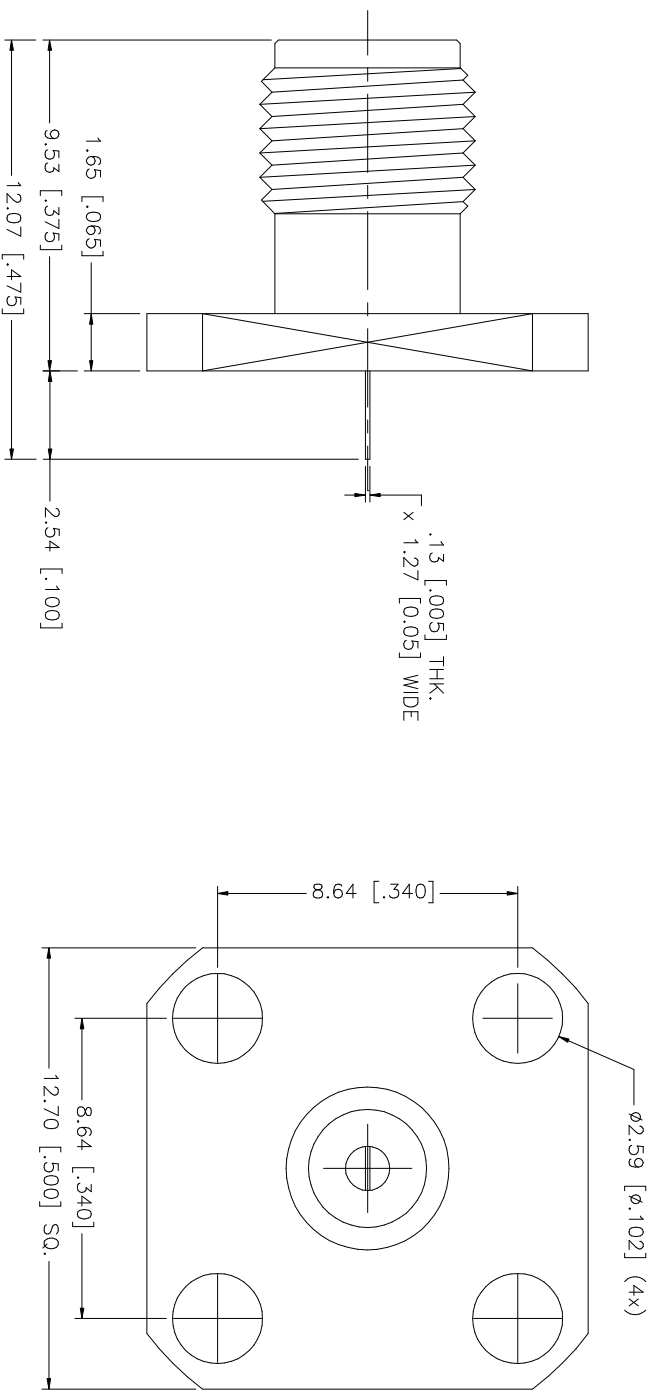


REV.	DATE	DESCRIPTION
NC	04/30/00	INITIAL RELEASE
A	09/29/05	UPDATE DRAWING FORMAT



NO.	DESCRIPTION	MATERIAL	FINISH	QTY	UNLESS OTHERWISE SPECIFIED, DIMENSIONS ARE IN MILLIMETERS. DIMENSIONS IN [] ARE IN INCHES AND FOR CUSTOMER REFERENCE ONLY.	APPROVALS	DATE	PART DESCRIPTION	DWG. NO.	REV.	SIZE	SCALE
8					UNLESS OTHERWISE SPECIFIED, DIMENSIONS ARE IN MILLIMETERS. DIMENSIONS IN [] ARE IN INCHES AND FOR CUSTOMER REFERENCE ONLY.			Amphenol Connex PART DESCRIPTION SMA FOUR (4) HOLE PANEL RECEPTACLE (.500 SQ. PANEL) 1 32166	132166.DWG	A	A	NA
7					UNLESS OTHERWISE SPECIFIED, TOLERANCES FOR MILLIMETERS ARE:							
6					0.5 - 8mm ± 0.20mm	DRAWN	09/29/05					
5					8 - 30mm ± 0.40mm	G.R.S.						
4					30 - 120mm ± 0.50mm	CHECKED						
3	CONTACT PIN	BER, COPPER	GOLD	1	UNLESS OTHERWISE SPECIFIED, TOLERANCES FOR INCHES ARE:	ISSUED						
2	INSULATOR	TEFLON	NATURAL	1	.020 - .315 = ± 0.007"	SHEET	1 OF 1					
1	BODY	BRASS	GOLD	1	.315 - 1.180 = ± 0.015" 1.180 - 4.724 = ± 0.020"	CAD FILE						
DESCRIPTION					DO NOT SCALE DRAWING	C:/132/132166.DWG						

Mouser Electronics

Authorized Distributor

Click to View Pricing, Inventory, Delivery & Lifecycle Information:

[Amphenol:](#)

[132166](#)