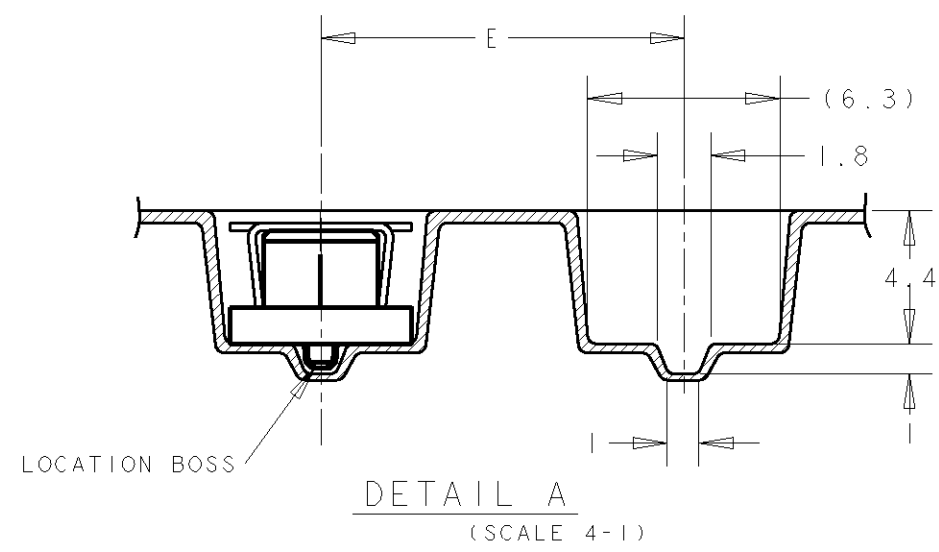
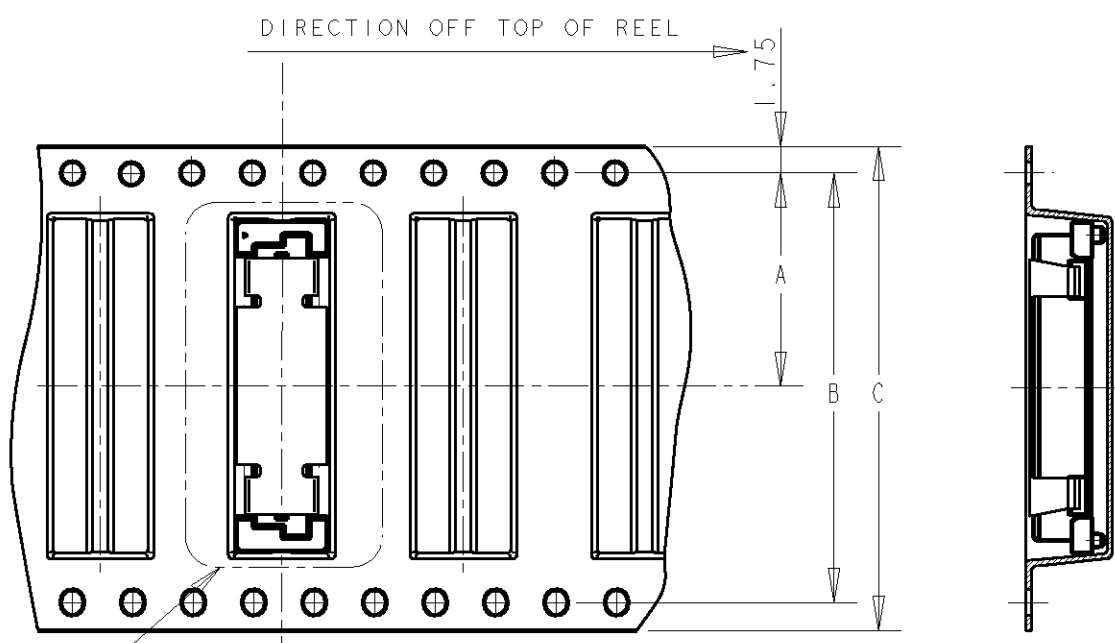


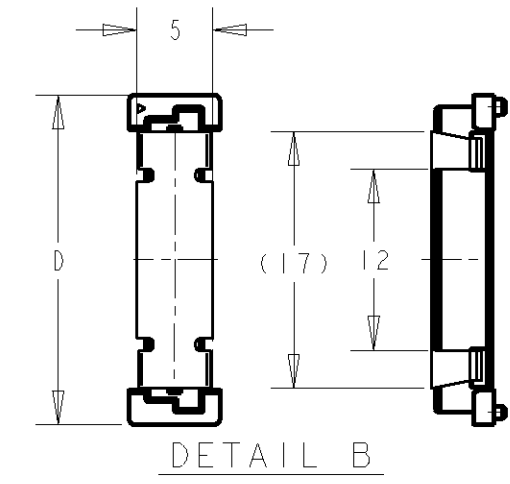
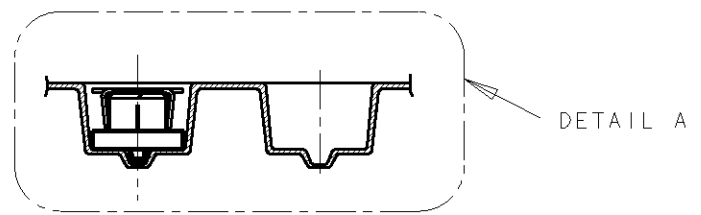
THIS DRAWING IS UNPUBLISHED. RELEASED FOR PUBLICATION .19
 © COPYRIGHT 19 BY AMP INCORPORATED. ALL RIGHTS RESERVED.

LOC	DIST	REVISIONS				
P	LTR	DESCRIPTION	DATE	DWN	APVD	
DY	-	0 NPR FP00-0274-04	2NOV04	LWY	VT	

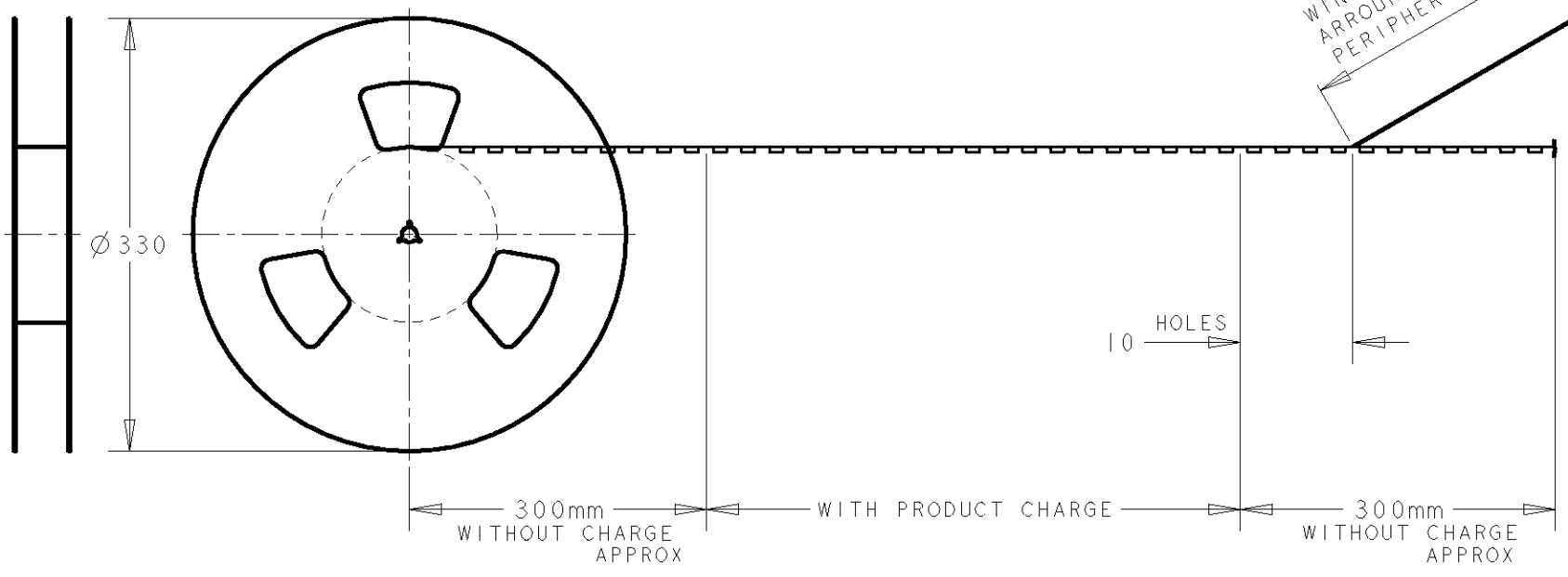
PROJ NO. XXX-XXX



DETAIL B



WINDING THE COVER TAPE
 AROUND THE OUTER
 PERIPHERY IN A TURN.



NOT AVAILABLE			61.8				140	-6	-6
AVAILABLE			53.8				120	-5	-5
NOT AVAILABLE	700	16	45.8	72	68.4	34.2	100	-4	-4
			37.8	56	52.4	26.2	80	-3	-3
			29.8	44	40.4	20.2	60	-2	-2
AVAILABLE	1000	12	21.8	32	28.4	14.2	40	5177983-1	5179488-1
TOOLING STATUS	QTY	E	D	C	B	A	POS	CONN P/N	PART NO.

NOTE:
 1. THIS PRODUCT WAS COATED BY FLUX-PENTRATION
 -INHIDITING AGENT.

THIS DRAWING IS A CONTROLLED DOCUMENT FOR AMP INCORPORATED. IT IS SUBJECT TO CHANGE AND THE CONTROLLING ENGINEERING ORGANIZATION SHOULD BE CONTACTED FOR THE LATEST REVISION.		DWN WYLEE	2NOV04	tyco Tyco Electronics Electronics Singapore Pte. Ltd.	
DIMENSIONS: mm		CHK VINCENT TAN	NAME RECEPTACLE ASSEMBLY 5H TYPE (0.5 BOSS LENGTH) FOR FH 0.8B-T-B CONN, ON TAPING		
TOLERANCES UNLESS OTHERWISE SPECIFIED: 0 PLC ± 1 PLC ±0.2 2 PLC ±0.25 3 PLC ±0.3 4 PLC ± ANGLES ±3°		APVD ERIC TNG	DRAWING NO A3 00779 C-5179488		
MATERIAL -		PRODUCT SPEC -	CAGE CODE 00779		SCALE 2:1
FINISH -		APPLICATION SPEC -	DRAWING NO C-5179488		SHEET 1 OF 1
CUSTOMER DRAWING		WEIGHT -	REV 0		

Mouser Electronics

Authorized Distributor

Click to View Pricing, Inventory, Delivery & Lifecycle Information:

[TE Connectivity:](#)

[5179488-2](#)