

PLEASE CHECK WWW.MOLEX.COM FOR LATEST PART INFORMATION

Part Number: [0535170210](#)
Status: **Active**
Overview: Mini-Lock Wire-to-Board Connector System
Description: 2.50mm Pitch Mini-Lock Wire-to-Board PCB Header, Vertical, 2 Circuits

Documents:

[3D Model](#) [Product Specification PS-51103-024-001 \(PDF\)](#)
[Drawing \(PDF\)](#) [RoHS Certificate of Compliance \(PDF\)](#)
[Product Specification PS-51103-006 \(PDF\)](#)

Agency Certification

UL E29179

General

Product Family PCB Headers
 Series [53517](#)
 Application Signal, Wire-to-Board
 Data Load Status Post Go-Live Rev. Not Verified
 Made From 0535170200, 0590328005
 Overview [Mini-Lock Wire-to-Board Connector System](#)
 Product Name Mini-Lock
 UPC 800753466128

Physical

Breakaway No
 Circuits (Loaded) 2
 Circuits (maximum) 2
 Glow-Wire Capable No
 Keying to Mating Part Yes
 Lock to Mating Part Yes
 Material - Metal Phosphor Bronze
 Material - Plating Mating Tin
 Material - Resin Nylon
 Net Weight 827.000/mg
 Number of Rows 1
 Orientation Vertical
 PC Tail Length 3.50mm
 PCB Locator Yes
 PCB Retention Yes
 PCB Thickness - Recommended 1.60mm
 Packaging Type Tray
 Pitch - Mating Interface 2.50mm
 Polarized to Mating Part Yes
 Polarized to PCB Yes
 Shrouded Fully
 Stackable No
 Temperature Range - Operating -40°C to +105°C
 Termination Interface: Style Through Hole

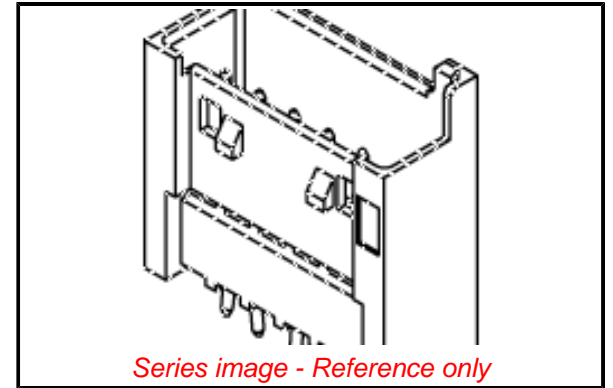
Electrical

Current - Maximum per Contact 3.0A
 Voltage - Maximum 250V

Material Info

Reference - Drawing Numbers

Product Specification PS-51103-006, PS-51103-024-001
 Sales Drawing SD-53517-001



EU ELV

Not Relevant

EU RoHS

Compliant

REACH SVHC

Not Contained Per
 -ED/01/2018 (15
 January 2018)

Halogen-Free

Status

Not Low-Halogen

Need more information on product environmental compliance?

Email productcompliance@molex.com
 Please visit the [Contact Us](#) section for any non-product compliance questions.

China ROHS	Green Image
ELV	Not Relevant
RoHS Phthalates	Not Contained

Search Parts in this Series

[53517 Series](#)

Mates With

[51103 Crimp Housing](#), [50351 Crimp Terminal](#)

This document was generated on 02/27/2018

PLEASE CHECK WWW.MOLEX.COM FOR LATEST PART INFORMATION

Mouser Electronics

Authorized Distributor

Click to View Pricing, Inventory, Delivery & Lifecycle Information:

[Molex:](#)

[53517-0210](#)