

PLEASE CHECK WWW.MOLEX.COM FOR LATEST PART INFORMATION

Part Number: [5013290200](#)
Status: **Active**
Overview: Inertia Lock Wire-to-Wire System
Description: 3.30mm Pitch Wire-to-Wire Inertia Lock Plug Housing, Single Row, 2 Circuits, White

Documents:

[3D Model](#) [Product Specification PS-501328-001 \(PDF\)](#)
[Drawing \(PDF\)](#) [RoHS Certificate of Compliance \(PDF\)](#)

General

Product Family Crimp Housings
 Series [501329](#)
 Application Signal, Wire-to-Wire
 Overview Inertia Lock Wire-to-Wire System
 Product Name Inertia Lock
 UPC 822348797066

Physical

Circuits (maximum) 2
 Color - Resin White
 Gender Male
 Glow-Wire Compliant No
 Lock to Mating Part Yes
 Material - Resin Nylon
 Net Weight 1060.000/mg
 Number of Rows 1
 Packaging Type Bag
 Panel Mount No
 Pitch - Mating Interface 3.30mm
 Polarized to Mating Part Yes
 Stackable No
 Temperature Range - Operating -25°C to +80°C

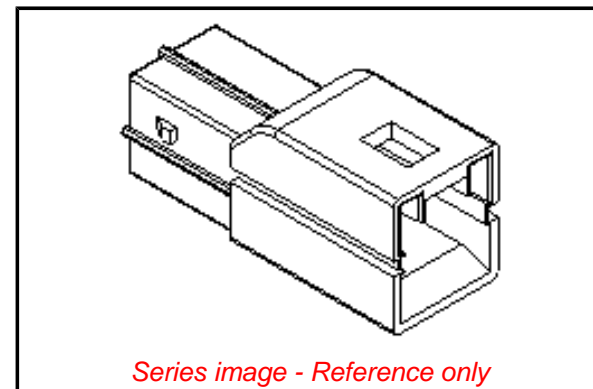
Electrical

Current - Maximum per Contact 4.0A

Material Info

Reference - Drawing Numbers

Product Specification PS-501328-001, RPS-501328-001, RPS-501328-002, RPS-501328-003
 Sales Drawing SD-501329-001



EU ELV

Not Relevant

EU RoHS

Compliant

China RoHS

REACH SVHC

Not Contained Per - ED/21/2016 (20 June 2016)

Halogen-Free

Status

Low-Halogen

Need more information on product environmental compliance?

Email productcompliance@molex.com
 Please visit the [Contact Us](#) section for any non-product compliance questions.

China ROHS
ELV

Green Image
Not Relevant

Search Parts in this Series

[501329](#) Series

Mates With

[501328-0200](#) Receptacle Housing . [501395](#) Receptacle Terminal for 18-20 AWG. [500989](#) Receptacle Terminal for 22-26 AWG

Use With

[51348-0213](#) Retainer . [56265](#) Plug Terminal for 18-20 AWG. [56279](#) Plug Terminal for 22-26 AWG

Mouser Electronics

Authorized Distributor

Click to View Pricing, Inventory, Delivery & Lifecycle Information:

[Molex:](#)

[501329-0200](#)