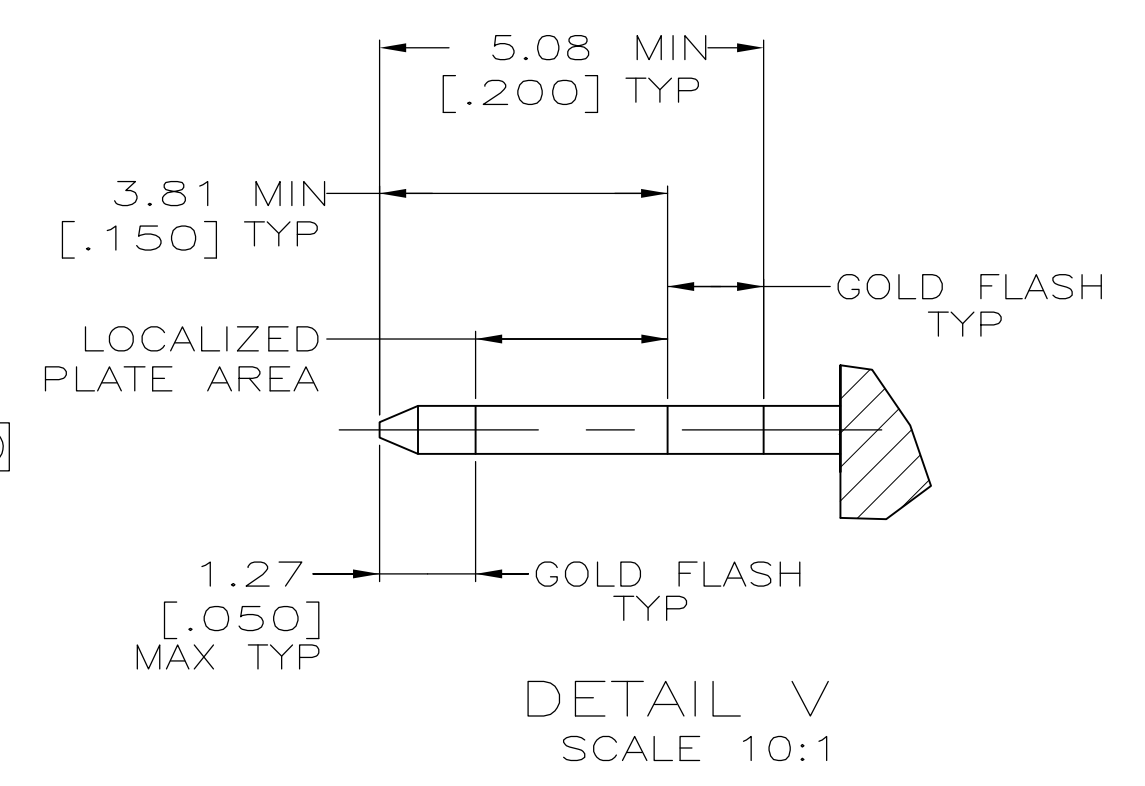
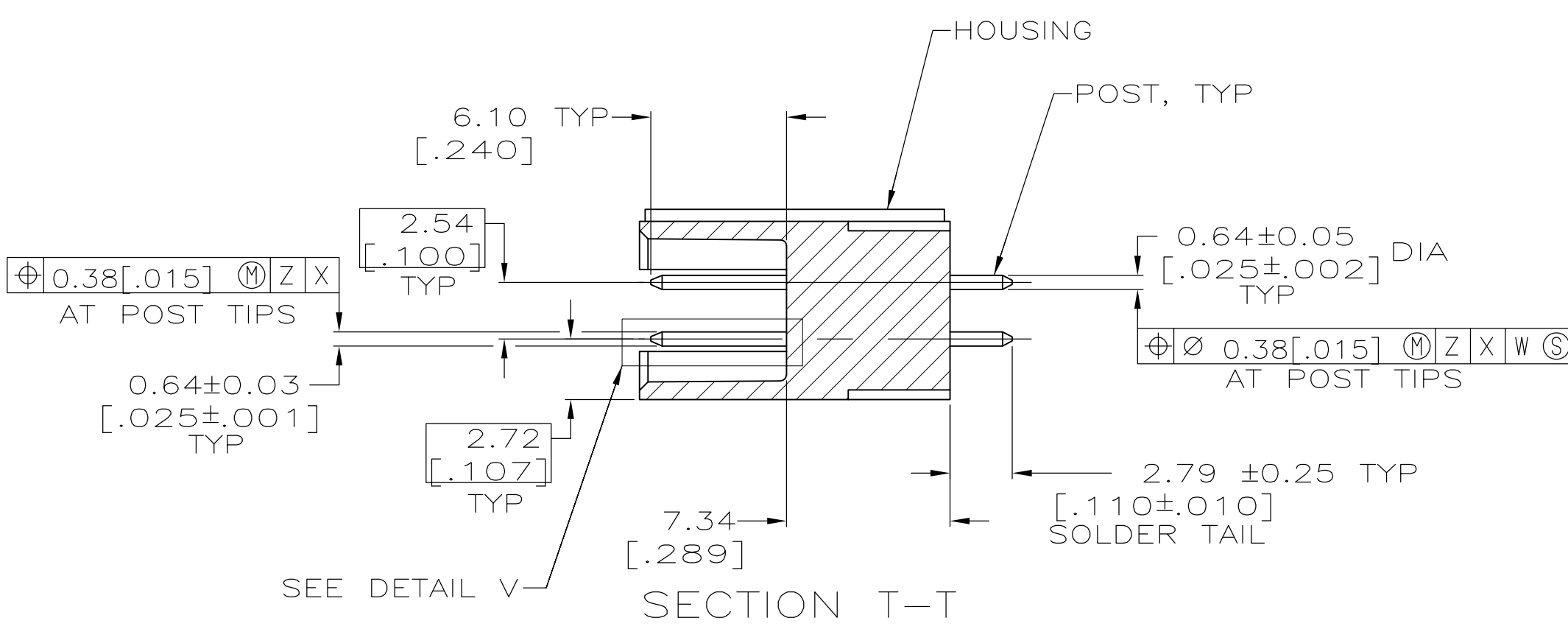
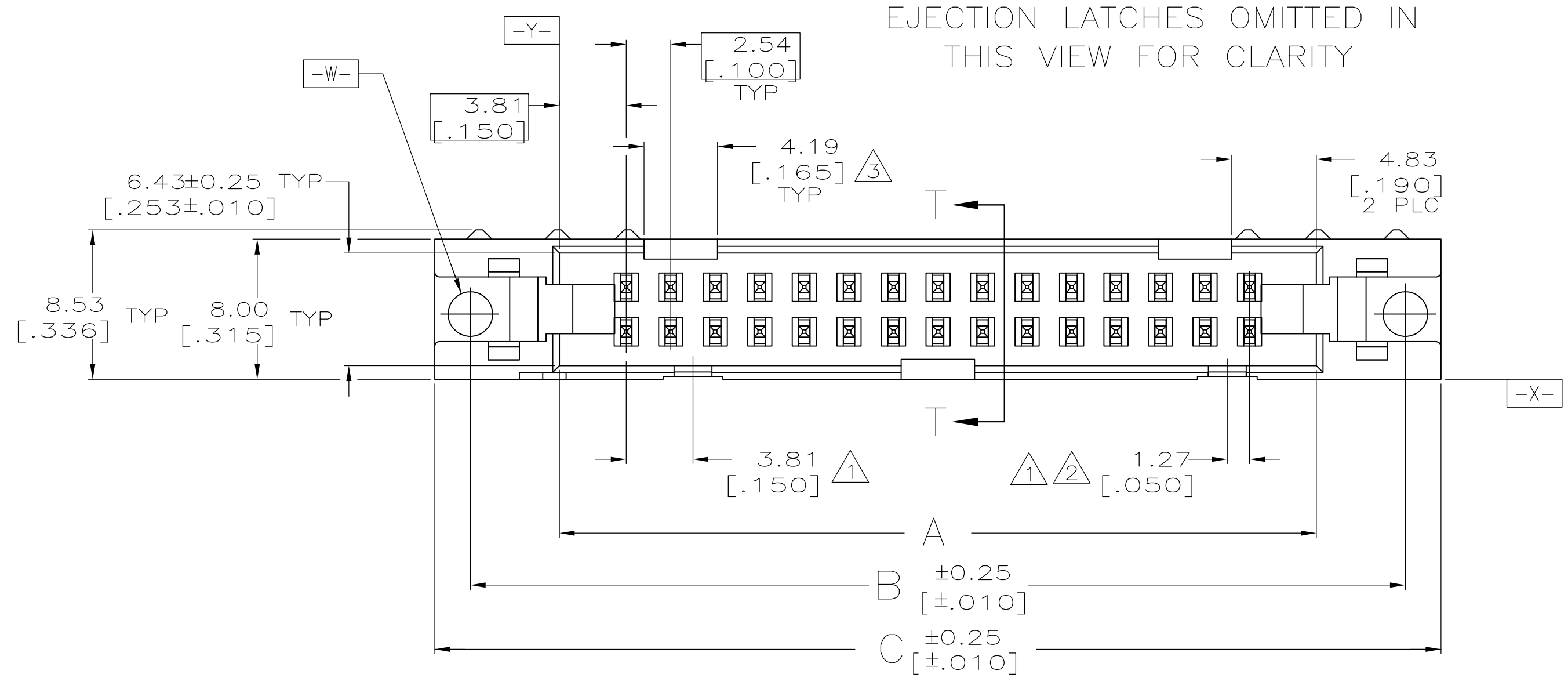
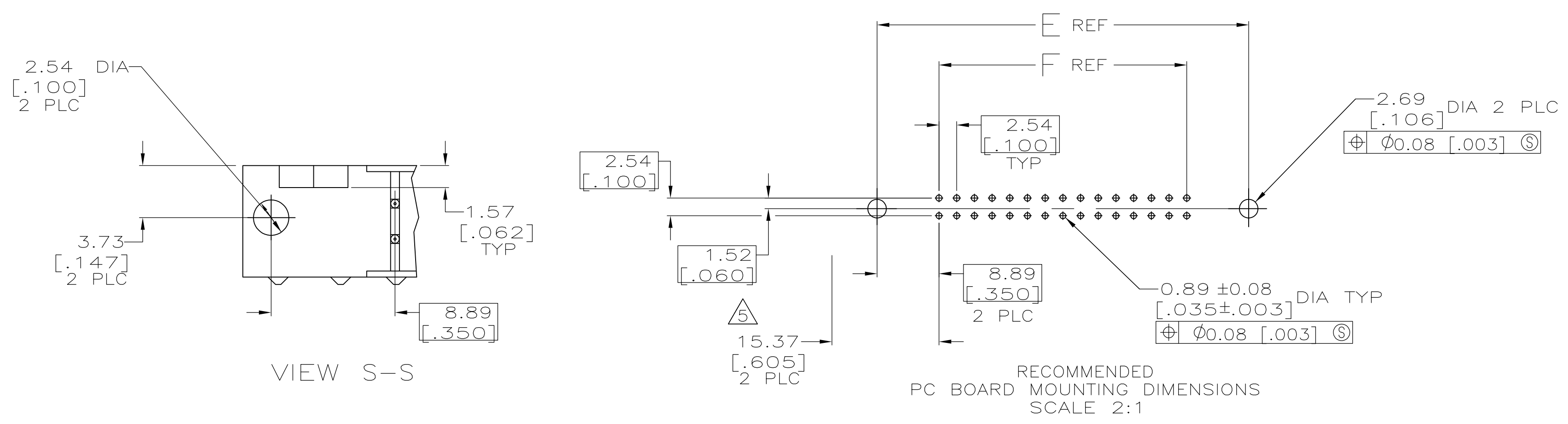
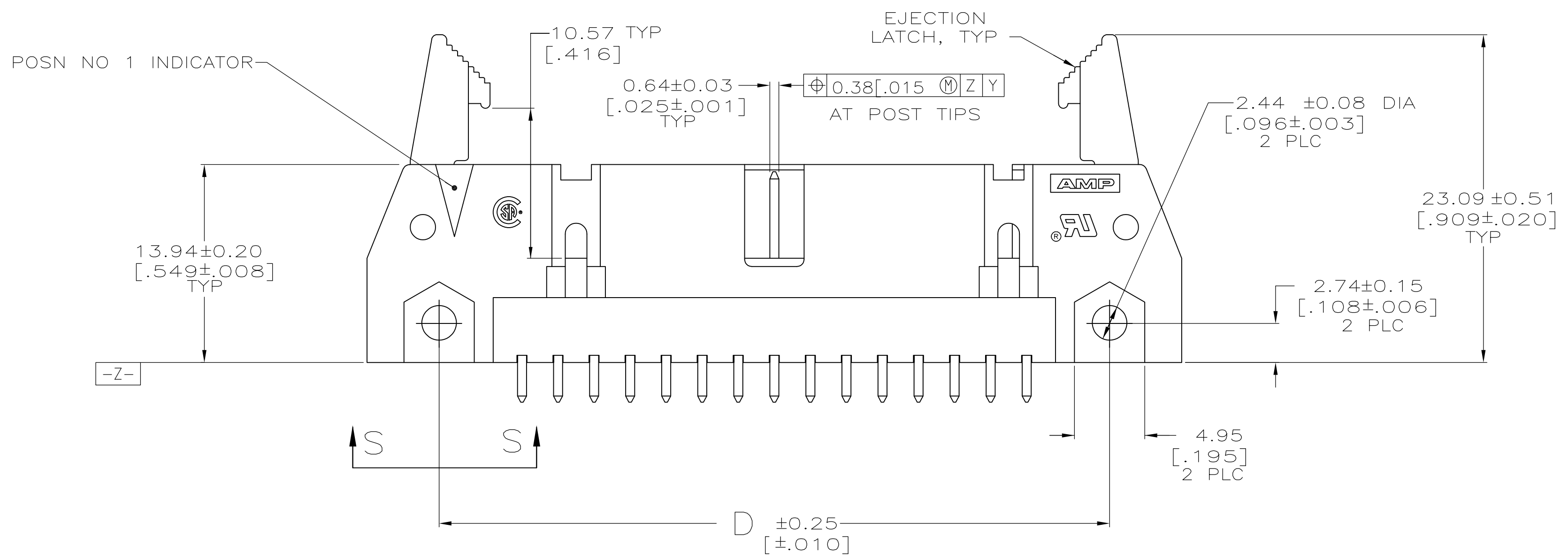


EJECTION LATCHES OMITTED IN THIS VIEW FOR CLARITY



- △1 COORDINATE DIMENSION APPLIES FROM BASIC LOCATION.
- △2 10 AND 14 POSITION SIZES CONTAIN ONLY ONE SLOT FOR SNAP-IN POLARIZER (MILITARY POLARIZATION) LOCATED AS SHOWN.
- △3 10 POSITION SIZES CONTAIN ONLY ONE SLOT FOR DUAL POLARIZATION, LOCATED AS SHOWN.
- 4. RECOMMENDED PRINTED CIRCUIT BOARD THICKNESS IS 1.57 [.062].
- △5 DISTANCE REQUIRED BY EJECTION LATCHES IN THE OPEN POSITION.
- △6 POSTS: GOLD FLASH OVER PALLADIUM-NICKEL PLATE, 0.76µm [.000030] MIN TOTAL ON THE LOCALIZED PLATE AREA, 2.54µm [.000100] MIN TIN OR TIN-LEAD PLATE ON THE TAIL, 1.27µm [.000050] MIN NICKEL UNDERPLATE ON THE ENTIRE POST.  
 -OR-  
 0.76µm [.000030] MIN GOLD PLATE ON THE LOCALIZED PLATE AREA, 2.54µm [.000100] MIN TIN OR TIN-LEAD PLATE ON THE TAIL, 1.27µm [.000050] MIN NICKEL UNDERPLATE ON THE ENTIRE POST.



|          |         |         |         |         |         |         |            |             |
|----------|---------|---------|---------|---------|---------|---------|------------|-------------|
| OBSOLETE | 53.34   | 71.12   | 65.02   | 75.18   | 71.12   | 60.96   | 44         | 1-499160-3  |
|          | [2.100] | [2.800] | [2.560] | [2.960] | [2.800] | [2.400] |            |             |
| OBSOLETE | 78.74   | 96.52   | 90.42   | 100.58  | 96.52   | 86.36   | 64         | 1-499160-2  |
|          | [3.100] | [3.800] | [3.560] | [3.960] | [3.800] | [3.400] |            |             |
| OBSOLETE | 73.66   | 91.44   | 85.34   | 95.50   | 91.44   | 81.28   | 60         | 1-499160-1  |
|          | [2.900] | [3.600] | [3.360] | [3.760] | [3.600] | [3.200] |            |             |
| OBSOLETE | 60.96   | 78.74   | 72.64   | 82.80   | 78.74   | 68.58   | 50         | 1-499160-0  |
|          | [2.400] | [3.100] | [2.860] | [3.260] | [3.100] | [2.700] |            |             |
| OBSOLETE | 48.26   | 66.04   | 59.94   | 70.10   | 66.04   | 55.88   | 40         | 499160-9    |
|          | [1.900] | [2.600] | [2.360] | [2.760] | [2.600] | [2.200] |            |             |
| OBSOLETE | 40.64   | 58.42   | 52.32   | 62.48   | 58.42   | 48.26   | 34         | 499160-8    |
|          | [1.600] | [2.300] | [2.060] | [2.460] | [2.300] | [1.900] |            |             |
| OBSOLETE | 35.56   | 53.34   | 47.24   | 57.40   | 53.34   | 43.18   | 30         | 499160-7    |
|          | [1.400] | [2.100] | [1.860] | [2.260] | [2.100] | [1.700] |            |             |
| OBSOLETE | 30.48   | 48.26   | 42.16   | 52.32   | 48.26   | 38.10   | 26         | 499160-6    |
|          | [1.200] | [1.900] | [1.660] | [2.060] | [1.900] | [1.500] |            |             |
| OBSOLETE | 27.94   | 45.72   | 39.62   | 49.78   | 45.72   | 35.56   | 24         | 499160-5    |
|          | [1.100] | [1.800] | [1.560] | [1.960] | [1.800] | [1.400] |            |             |
| OBSOLETE | 22.86   | 40.64   | 34.54   | 44.70   | 40.64   | 30.48   | 20         | 499160-4    |
|          | [.900]  | [1.600] | [1.360] | [1.760] | [1.600] | [1.200] |            |             |
| OBSOLETE | 17.78   | 35.56   | 29.46   | 39.62   | 35.56   | 25.40   | 16         | 499160-3    |
|          | [.700]  | [1.400] | [1.160] | [1.560] | [1.400] | [1.000] |            |             |
| OBSOLETE | 15.24   | 33.02   | 26.92   | 37.08   | 33.02   | 22.86   | 14         | 499160-2    |
|          | [.600]  | [1.300] | [1.060] | [1.460] | [1.300] | [.900]  |            |             |
| OBSOLETE | 10.16   | 27.94   | 21.84   | 32.00   | 27.94   | 17.78   | 10         | 499160-1    |
|          | [.400]  | [1.100] | [.860]  | [1.260] | [1.100] | [.700]  |            |             |
|          | F       | E       | D       | C       | B       | A       | NO OF POSN | PART NUMBER |

THIS DRAWING IS A CONTROLLED DOCUMENT.

|   |  |  |  |   |
|---|--|--|--|---|
| DIMENSIONS: mm [INCHES]<br>TOLERANCES UNLESS OTHERWISE SPECIFIED:<br>0 PLC ± -<br>1 PLC ± -<br>2 PLC ± -<br>3 PLC ± 0.13[.005]<br>4 PLC ± -<br>ANGLES ± - | FINISH<br>HOUSING & LATCHES: 58, 94V-0 HATED, BLACK<br>POSTS: PHOS BRONZE OR BRASS | H. MOLL 4-23-90<br>11-28-90<br>S. GOOD 11-29-90<br>NAME<br>PRODUCT SPEC<br>108-40018<br>APPLICATION SPEC | Tyco Electronics Corporation<br>Harrisburg, PA 17105-3608<br>HEADER ASSY, UNIVERSAL, AMP-LATCH<br>SIZE<br>CASE CODE<br>DRAWING NO<br>00779<br>499160<br>WEIGHT<br>CUSTOMER DRAWING | RESTRICTED TO<br>SCALE 4:1<br>SHEET 1 OF 1<br>REV K |
|---|--|--|--|---|

# Mouser Electronics

Authorized Distributor

Click to View Pricing, Inventory, Delivery & Lifecycle Information:

[TE Connectivity:](#)

[499160-2](#)