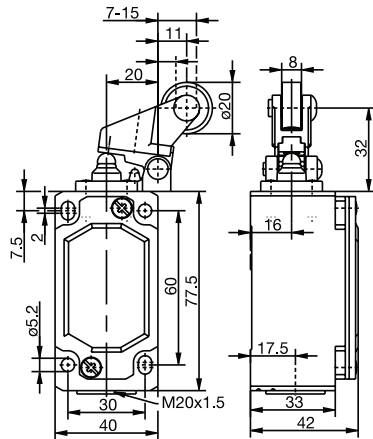


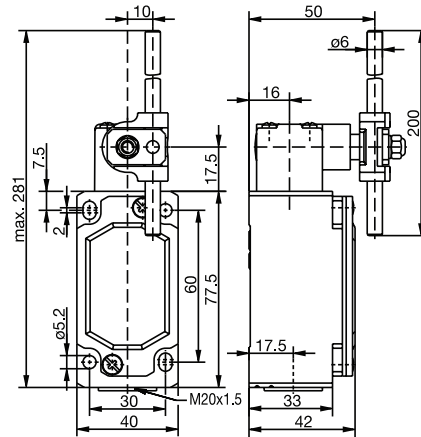
**ENM2 Series**



**DGKW RO20**



**AD (Form D)**



Switching Operation	Slow Action	Snap Action	Slow Action	Snap Action
<b>1 NC / 1 NO Contacts</b>	<b>608.7127.010</b> ENM2-U1Z DGKW RO20	<b>608.7377.011</b> ENM2-SU1Z DGKW RO20	<b>608.7137.018</b> ENM2-U1 AD	<b>608.7387.019</b> ENM2-SU1 AD
<b>2 NC Contacts</b>	-	-	-	-
<b>2 NO Contacts</b>	-	-	-	-
<b>1 NC / 1 NO Contacts Overlapping</b>	-	-	-	-

**Replacement actuator:** **391.8271.655** (for DGKW RO20)      **391.8370.731** (for AD)

Technical Information	Slow Action	Snap Action	Slow Action	Snap Action
Maximum Switching Voltage	240V	240V	240V	240V
Max. Switching Amps (up to)*	10A	10A	10A	10A
B10d (up to)*	20 Million	20 Million	20 Million	20 Million
Mechanical Service Life (up to)*	10 x 10 <sup>6</sup>	10 x 10 <sup>6</sup>	10 x 10 <sup>6</sup>	10 x 10 <sup>6</sup>
Switching Frequency	≤ 100/min	≤ 100/min	≤ 100/min	≤ 100/min
Operating Temperature	-30 °C to +80 °C	-30 °C to +80 °C	-30 °C to +80 °C	-30 °C to +80 °C
Protection Rating	IP65	IP65	IP65	IP65
Utilization Category (up to)*	AC-15, Ue/Ue 240V 3A	AC-15, Ue/Ue 240V 3A	AC-15, Ue/Ue 240V 3A	AC-15, Ue/Ue 240V 3A
Rate Insulation Voltage	400VAC	400VAC	400VAC	400VAC

Approvals \* Depending on switching system - see technical information for details

- Special features/variants** (on request)
- Available with different actuating directions
  - Available with various actuator lengths and actuator directions

# Mouser Electronics

Authorized Distributor

Click to View Pricing, Inventory, Delivery & Lifecycle Information:

[Altech:](#)

[608.7387.019](#) [608.7137.018](#) [608.7377.011](#) [608.7127.010](#)