

D

B WAS 1228-77-8-1420

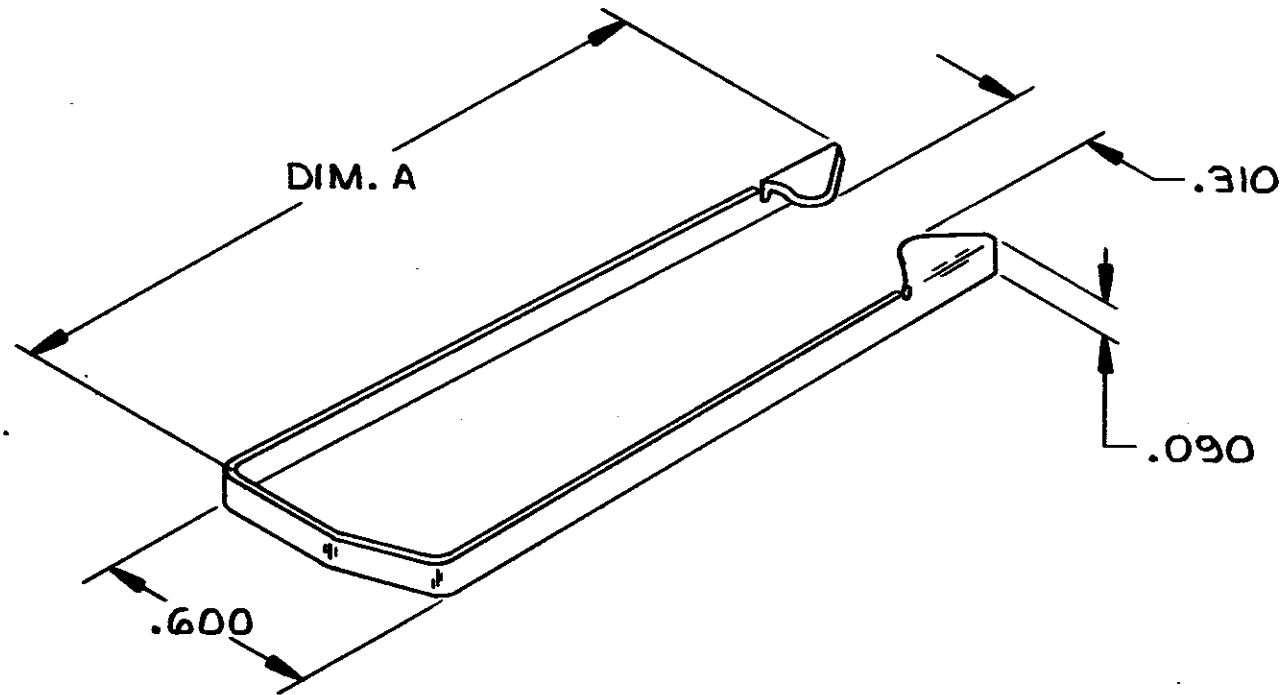
A

3

2

1 LOC AA DIST 10/2


REVISIONS						
P	F	ZONE	LTR	DESCRIPTION	DATE	APPROVED
			A1	REVISED PER ECO-11-005294	12APR11	HMR



1. ALL DIMENSIONS SHOWN ARE FOR REFERENCE ONLY UNLESS OTHERWISE SPECIFIED.

2 MATERIAL: PASSIVATED STAINLESS STEEL.

64	1.820	552723-3
14 & 24	.857	552723-2
36 & 50	1.338	552723-1
POSITIONS	DIM. A	PART NO

UNLESS OTHERWISE SPECIFIED DIMENSIONS ARE IN INCHES. TOLERANCES ON: DECIMALS ± #/100 ANGLES ± #/16	CONTRACT NO		 TE Connectivity	
	DR <i>A. Bourne</i> 6-26-80			
	MATERIAL		NAME	
	2		LATCH, LOCKING, CHAMP-LOK	
FINISH		SIZE	CODE IDENT NO	DRAWING NO
2		B	00779	552723
OTHER APPD		SCALE	SHEET	
		2/1	1 OF 1	

CUSTOMER DRAWING

# Mouser Electronics

Authorized Distributor

Click to View Pricing, Inventory, Delivery & Lifecycle Information:

[TE Connectivity:](#)

[552723-1](#)